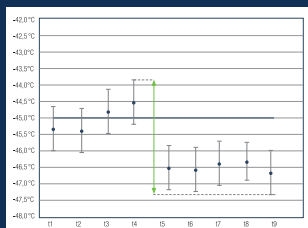


SUFsg5001

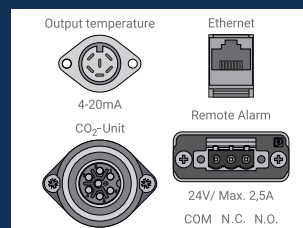
Ultra-Low Temperature Freezer



Minimal temperature fluctuations
In order to maintain the quality of the stored samples, it is important to minimise temperature fluctuations. Liebherr ultra-low temperature freezers are characterised by extremely low fluctuations, both within the appliance and over time.



Low energy consumption
Ultra-low temperature freezers are among the appliances with the highest energy consumption in research facilities. Liebherr ultra-low temperature freezers are some of the most economical models on the market worldwide. In combination with highly insulating vacuum panels, the efficient cooling system allows economical operation, optimum energy savings and therefore low operating costs.



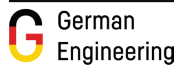
Connection to documentation and monitoring systems
All the appliances have a volt-free alarm output and an Ethernet interface for remote monitoring. This means the appliances can be connected to SmartMonitoring. In addition, the temperature and alarm records can be read via the integrated USB interface. Optionally, a 4-20 mA output allows the temperature value to be integrated into existing data recording systems.

LIEBHERR

SUFsg5001

Mediline

Ultra-Low Temperature Freezer



LED

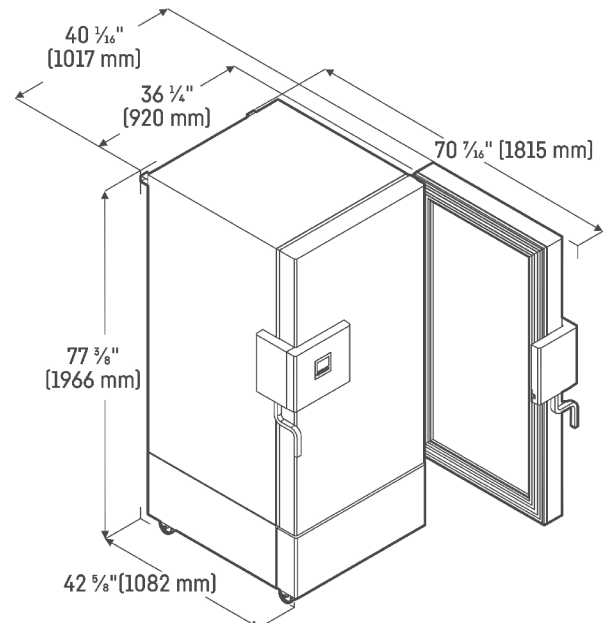
home.liebherr.com

SUFsg5001

Total gross/net capacity l (cu.ft.)	491/477 (17.3/16.8)
Exterior dimensions in mm (w/d/h) in inches (w/d/h)	921/985/1966 36 1/4" / 38 3/4" / 77 3/8"
Interior dimensions in mm (w/d/h) in inches (w/d/h)	586/605/1300 23 1/16" / 23 13/16" / 51 3/16"
Energy Consumption (kWh/day) *	0.46
EnergyStar rated	Yes
Ambient temperature in °C (°F)	+16°C to +32°C (61°F to 90°F)
Heat output/system	1188 kJ/h/air cooling
Refrigerant	R290/R170
Sound rating**	47 dB(A)
Connection rating	11.7 A/1.4 kW
Frequency/voltage	60 Hz/120V~
Temperature range in °C (°F)	-40°C to -86°C (-40°F to -123°F)
External cabinet finish	Steel/white
Door/lid material	Steel
Internal liner material	Stainless steel
Type of control	Electronic control
Temperature display	External digital
Interface	LAN (Ethernet)
Volt-free alarm contact	Yes
Data logger	Integrated, USB interface
Power failure alarm	Immediate with power cut for 72h
Cooling system	Static
Refrigeration +22°C to -80°C	360 min
Warming -80°C to -60°C / to 0°C	230 min/2160 min
Number / Max. number of shelves	4/13
Shelf material	Stainless steel
Shelf load weight in kg (lbs)	50 (110.2)
Number of racks per drawer	4
Max. number of cryo boxes 50 mm / 75 mm	352/224
Castors	Castors with brake at the front, fixed castors at the rear
Replaceable door seal	Yes
Sensor performance	2 x Ø 28 mm
Lock	Yes
Door hinges	right, not reversible
Gross/net weight in kg (lbs)	308 kg (679)
Further voltage range	230V/50Hz



Unit Dimensions



Accessories

Shelf, plastic-coated	7113327
U-shaped tray slide, right	9001761
U-shaped tray slide, left	9001757
Foot pedal opener	9590639
Side-by-Side kit	9901947

* Measured unloaded at 26.6°C (80°F) ambient temperature with set point of 3.3°C (38°F).

** Noise level – sound power re 1pW – according to IEC 60704-2-14.

LIEBHERR