

# EFI 1453

---



# LIEBHERR

# Impulse Sales Chest Freezer



## Impulse Sales Chest Freezer

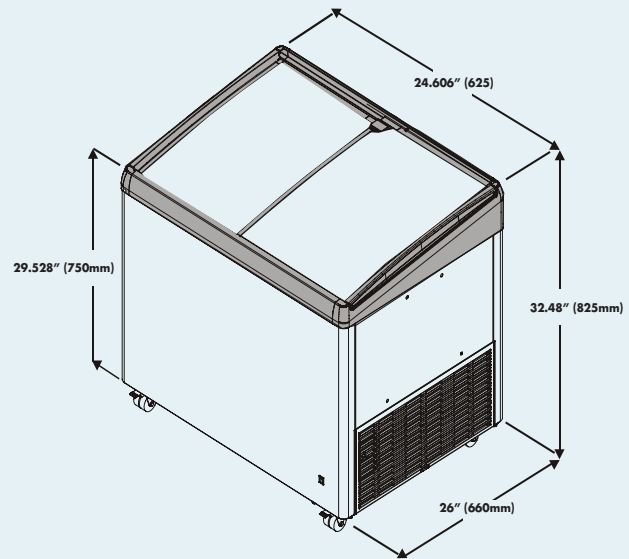
## EFI 1453 LED

<b>Total gross/net capacity</b> cu.ft. (l)	4.8 / 3.2 (135 / 91)
<b>Exterior dimensions</b> in inches (w/d/h) in mm (w/d/h)	24 5/8" / 26 13/16" / 32 1/2" 625 / 680 / 825
<b>Interior dimensions</b> in inches (w/d/h) in mm (w/d/h)	19 11/16" / 21 1/8" / 19 5/16" 500 / 535 / 490
<b>Total display area in m<sup>2</sup> (TDA) / ft<sup>2</sup></b>	0.30 / 3.23
Energy consumption in 365 days *	404 kWh
Ambient temperature in °F (°C)	50°F to 95°F (10°C to 35°C)
Refrigerant	R290
Sound rating **	42 dB(A)
Connection rating	2.5 A/192 W
Frequency / Voltage	60 Hz/115 – 127V~
Cooling system/Defrost	static/manual
Temperature range °F (°C)	14°F to -11°F (-10°C to -24°C)
Lid material	sliding glass lid
External cabinet finish	steel/white
Internal liner material	steel
Frame color	grey
Type of control/Temperature display	analog control/internal analogue
Interior light	LED
Number of baskets	2
Number of baskets, max (see picture)	2
Castors/Lock	swivel casters/recessed
Insulation in inches (mm)	2 3/8" (60)
Water drain	yes
Gross / net weight in lbs (kg)	104.5 / 91.7 (47.4 / 41.6)

Accessories	
Basket 270 mm	7111091
Basket 210 mm	7111093
Partition grid 270 mm / High grid	7111031
Partition grid 210 mm / High grid	7111784
Partition grid 270 mm / Low grid	7111033
Partition grid 210 mm / Low grid	7111787
Rubber bumpers, gray	7266707
Cylinder lock for glass sliding lid	7043660
Glass canopy	
Scoop ice cream containers	on request
Baskets for scoop ice cream containers	on request
External thermostat dial	on request



## Unit Dimensions



Subject to modification. For up-to-date information, visit [home.liebherr.com](http://home.liebherr.com).