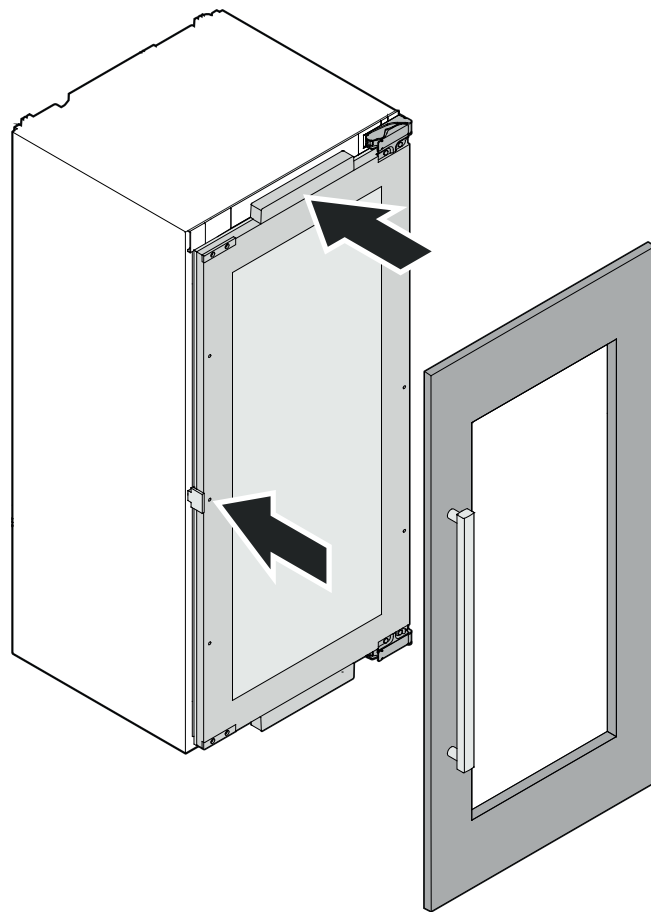
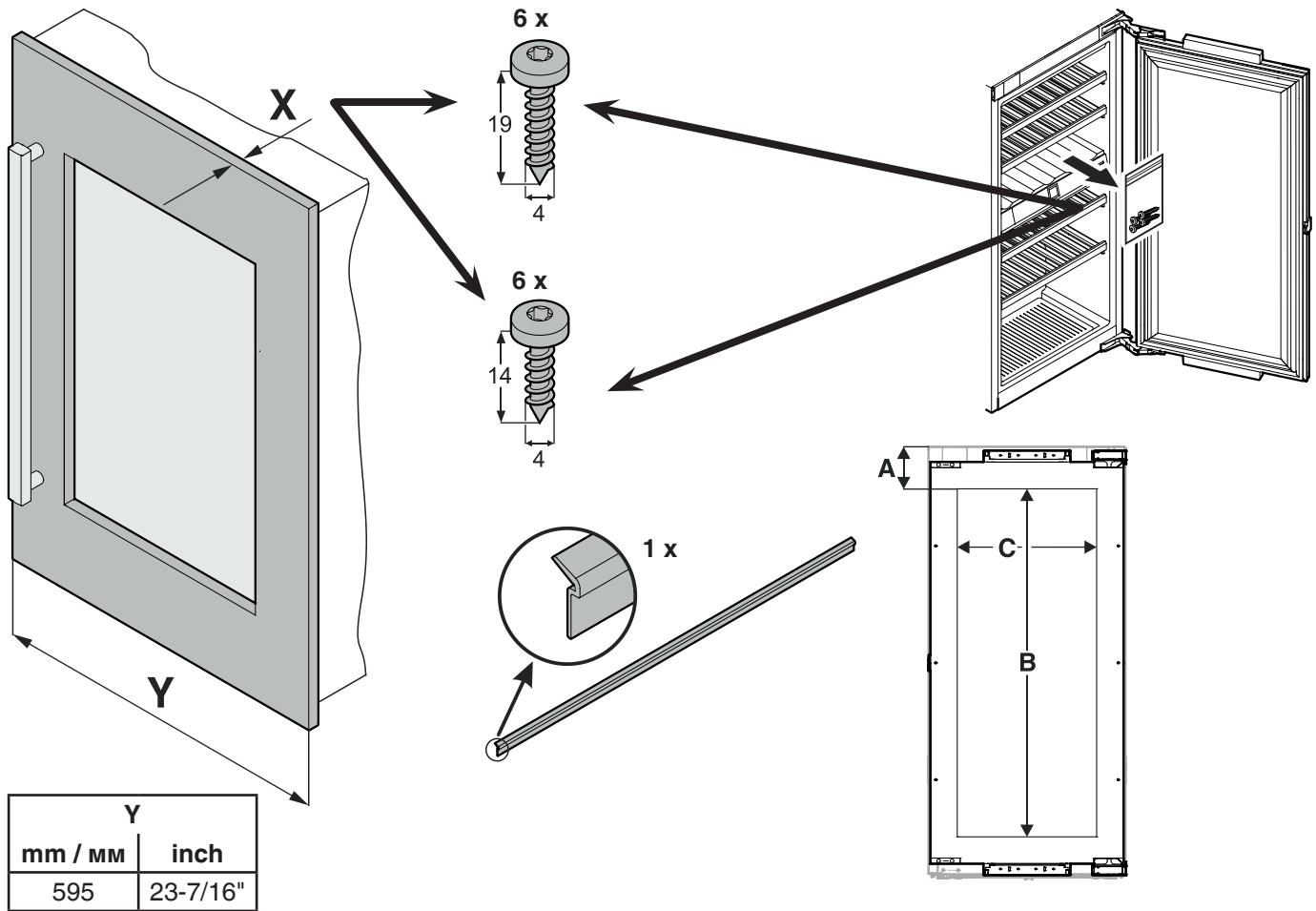


# LIEBHERR

## Assembly instruction



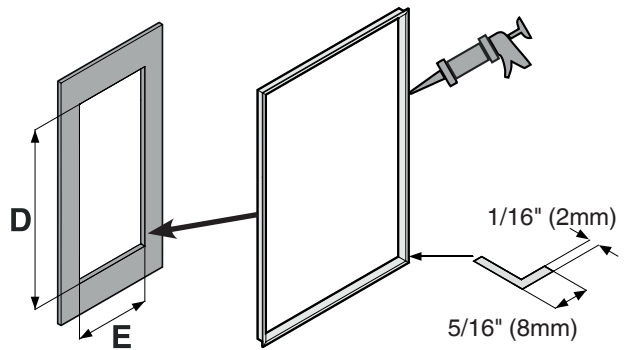
HW 3000, HW 4800, HW 8000  
7085 011-00



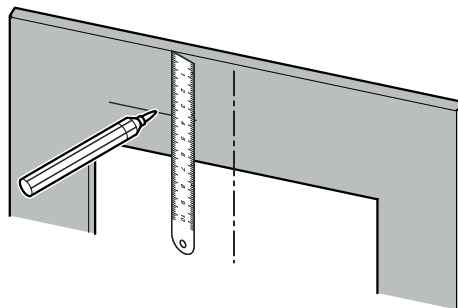
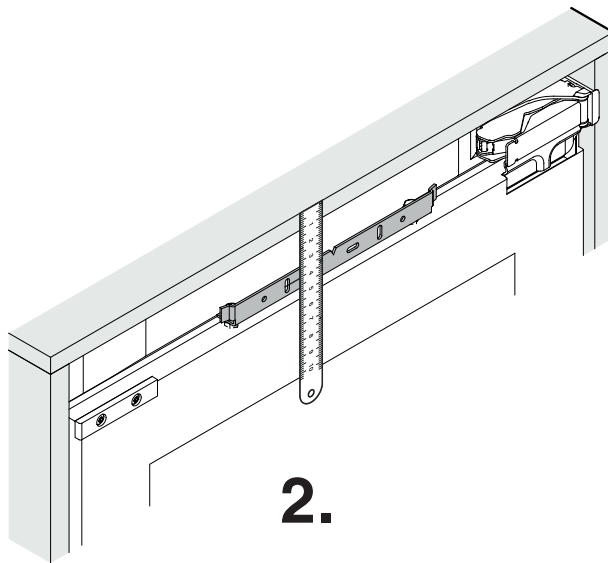
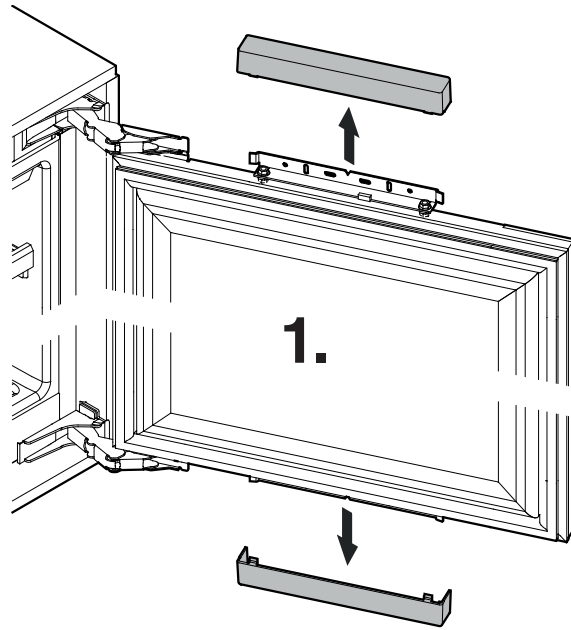
**Panel Dimension max.**

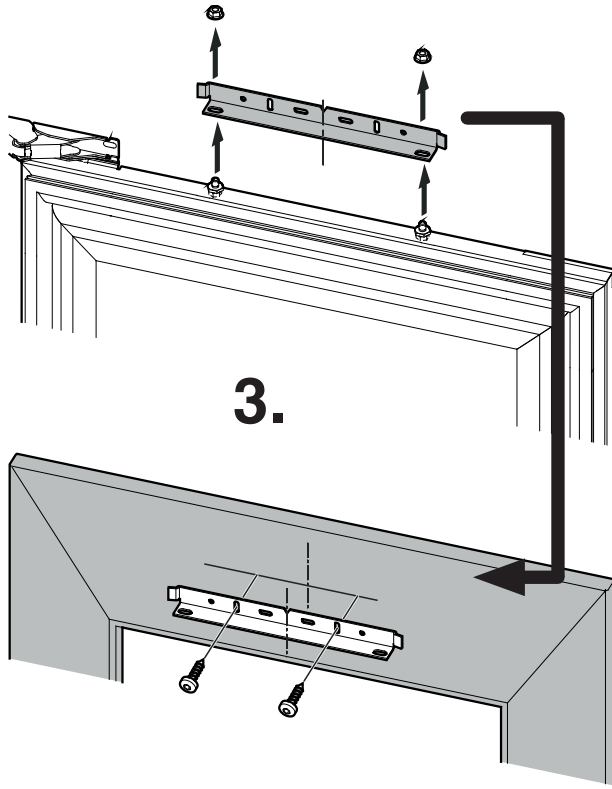
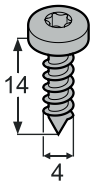
	A		B		C		X		
HW 3000			max. 637mm	25-1/16" max			min. 16mm	5/8" min.	44lbs max.
HW 4800	min. 119mm	4-11/16" min.	max. 983mm	38-11/16" max.	max. 395mm	15-9/16" max.	max. 22mm	7/8" max.	max. 20kg
HW 8000			max. 1535mm	60-7/16" max.					

**Panel Dimension for aluminium profil frames with thickness X (accessories)**

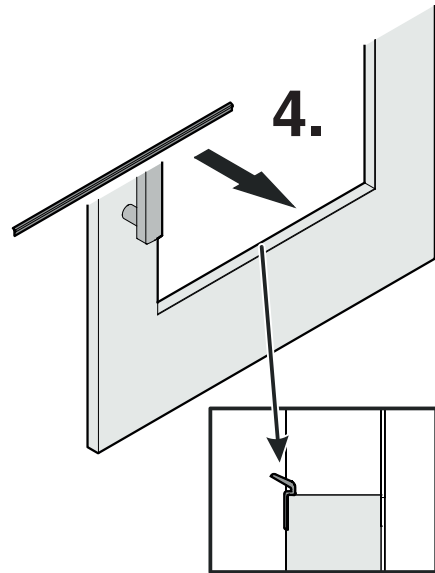


	A		D		E		X
HW 3000	133mm	5-1/4"	594mm	23-3/8"	391mm	15-3/8"	3/4" (19mm) or 7/8" (22mm)
HW 4800	152mm	6"	921mm	36-1/4"			
HW 8000	133mm	5-1/4"	1504mm	59-3/16"			

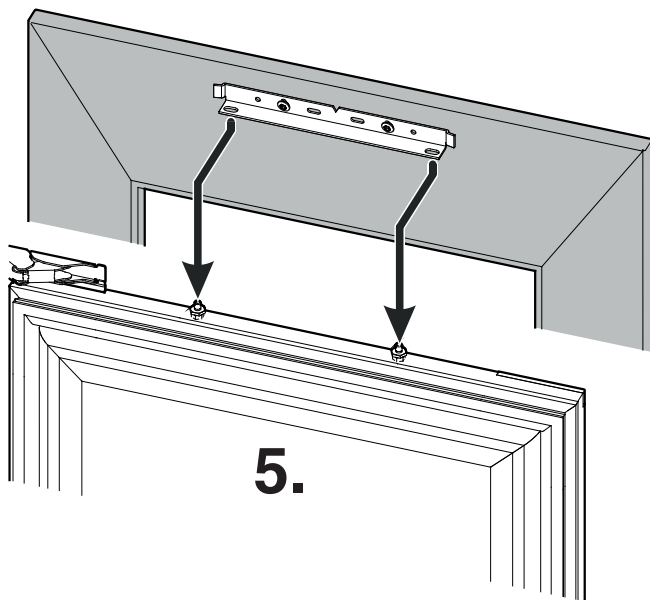




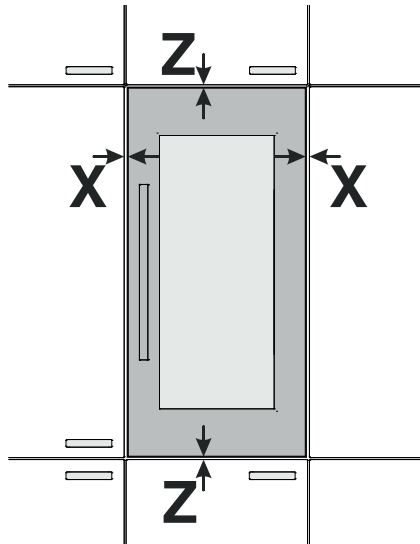
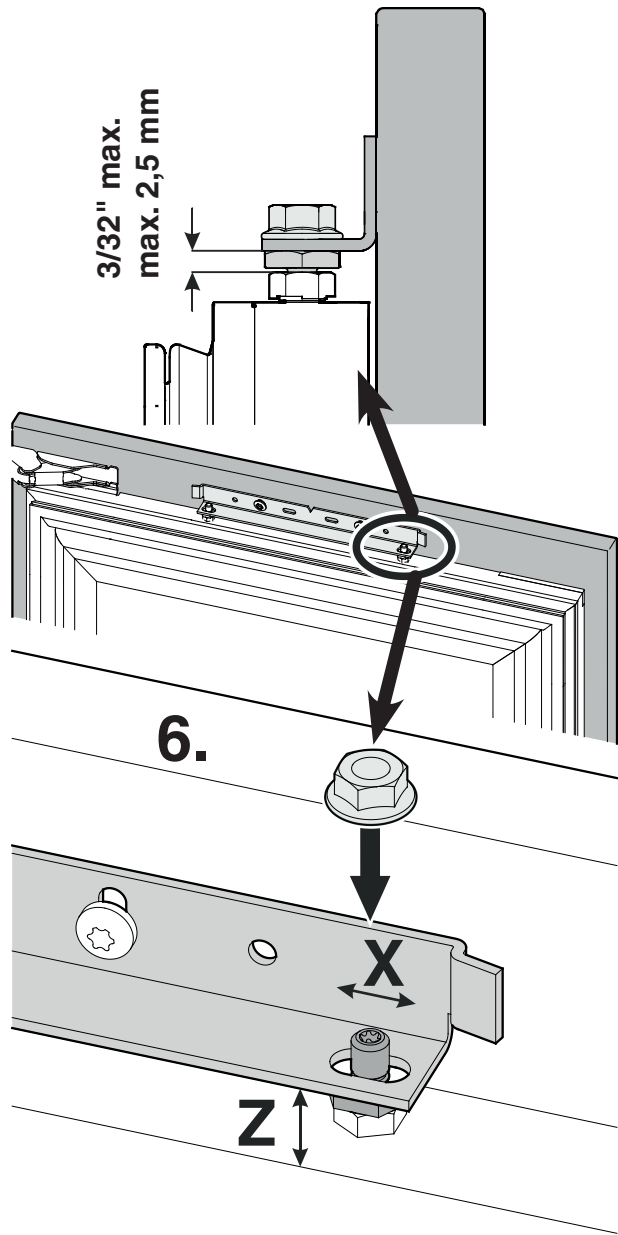
3.

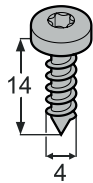
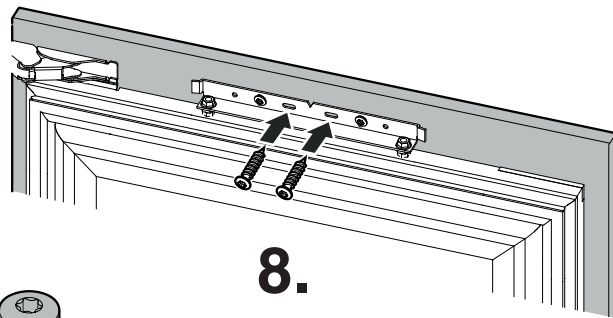
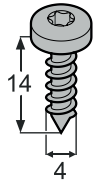
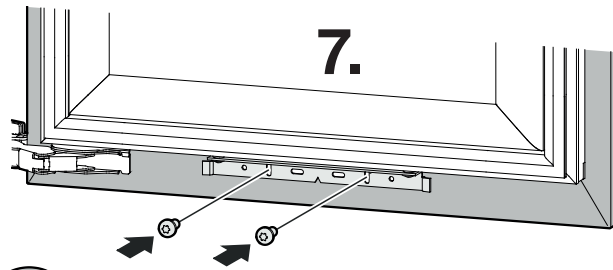


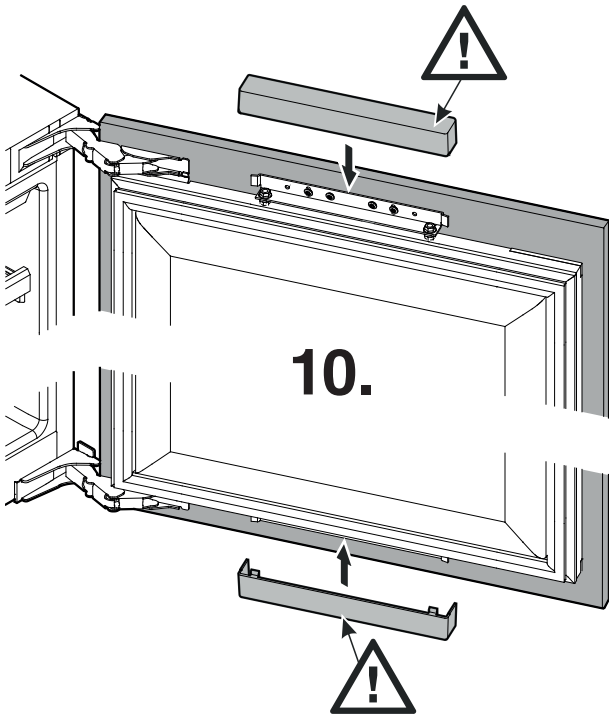
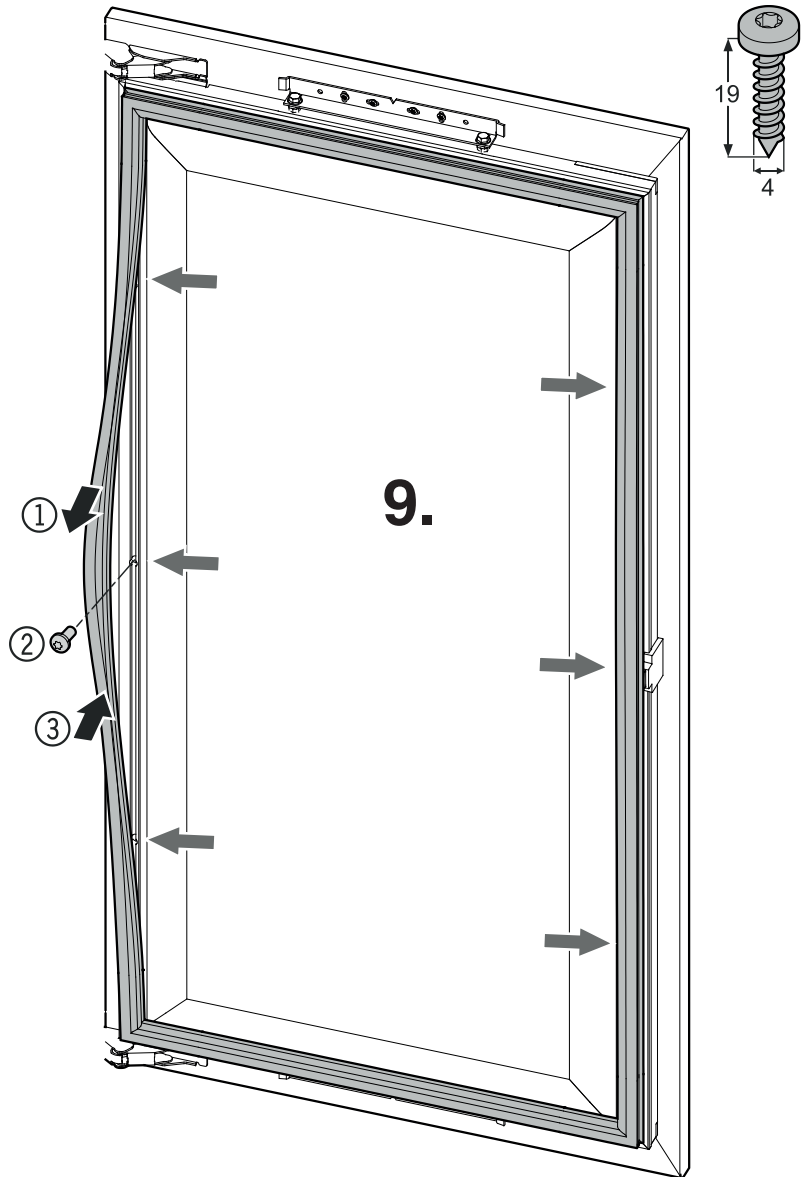
4.



5.







## **For Service in the U.S.**

### **Liebherr Service Center**

Toll Free: **1-866-LIEBHER** or **1-866-543-2437**

Email: [Service-appliances.us@liebherr.com](mailto:Service-appliances.us@liebherr.com)

### **PlusOne Solutions, Inc.**

3501 Quadrangle Blvd, Suite 120

Orlando, FL 32817

## **For Service in Canada**

### **Liebherr Service Center**

Toll Free: **1-888-LIEBHER** or **1-888-543-2437**

[www.euro-parts.ca](http://www.euro-parts.ca)

### **EURO-PARTS CANADA**

39822 Belgrave Road

Belgrave, Ontario, N0G 1E0

Phone: (519) 357-3320

Fax: (519) 357-1326



[www.liebherr-appliances.com](http://www.liebherr-appliances.com)