



Installation Guide

Quality, Design and Innovation



home.liebherr.com/fridge-manuals





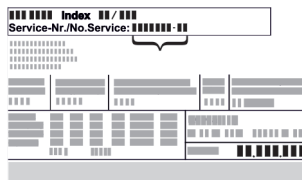

LIEBHERR




General safety instructions

Contents

1	General safety instructions	2
2	Installation dimensions	3
3	Ventilation requirements	3
4	Water connection*	3
4.1	Dimensions for the water connection.....	3
4.2	Water pressure.....	3
5	Transporting the appliance	4
6	Unpacking the appliance	4
7	Disposal of packaging	4
8	Reversing the door	4
8.1	Taking off the soft stop mechanism.....	4
8.2	Removing the door.....	5
8.3	Moving the upper bearing parts to the other side.....	6
8.4	Moving the lower bearing parts to the other side..	7
8.5	Moving the handles to the other side*.....	8
8.6	Fitting the door.....	9
8.7	Aligning the door.....	9
8.8	Fitting the soft stop mechanism.....	9
9	Connecting the appliance to the water supply* ..	10
9.1	Connecting the hose.....	10
9.2	Check the water system.....	11
10	Water tank*	11
10.1	Inserting the water tank.....	11
11	Water filter*	11
11.1	Installing the water filter.....	12

The manufacturer is constantly working to improve all types and models. Therefore, please be aware that we reserve the right to make changes to the shape, equipment and technology.

Symbol	Explanation
	Read instructions Please read the information in these instructions carefully to understand all of the benefits of your new appliance.
	Full instructions on the internet You can find detailed instructions on the internet using the QR code on the front of these instruction or by entering the service number at home.liebherr.com/fridge-manuals . The service number can be found on the serial tag:  <i>Fig. Example illustration</i>
	Check appliance Check all parts for transport damage. If you have any complaints, please contact your agent or customer service.

Symbol	Explanation
	Differences These instructions apply to a range of models, so there may be differences. Sections that apply to certain models only are indicated by an asterisk (*).
	Instructions and results Instructions are marked with a ▶. Results are marked with a ▷.
	Videos Videos about the appliances are available on the YouTube channel of Liebherr-Hausgeräte.



1 General safety instructions

- Please keep this assembly manual in a safe place so you can refer back to it at any time.
- If you pass the appliance on, please hand this assembly manual to the new owner.
- Read this assembly manual before installation and use in order to use the appliance safely and correctly. Follow the instructions, safety instructions and warning messages included at all times. They are important for ensuring you can operate and install the appliance safely and without any problems.
- First read the general safety instructions in the “General safety instructions” section of the **operating instructions**, which accompany these installation instructions, and follow them. If you cannot find the **operating instructions**, you can download the **operating instructions** from the internet by entering the service number at home.liebherr.com/fridge-manuals. The service number can be found on the serial



tag:

- **Observe the warning messages and other detailed information in the other sections when installing the appliance:**

	DANGER	indicates a hazardous situation, which if not avoided, will result in death or serious injury.
	WARNING	indicates a hazardous situation, which if not avoided, could result in death or serious injury.

	CAUTION	indicates a hazardous situation, which if not avoided, will result in minor or moderate injury.
	NOTICE	indicates a hazardous situation, which if not avoided, could result in damage to property.
	Note	indicates useful advice and tips.

2 Installation dimensions

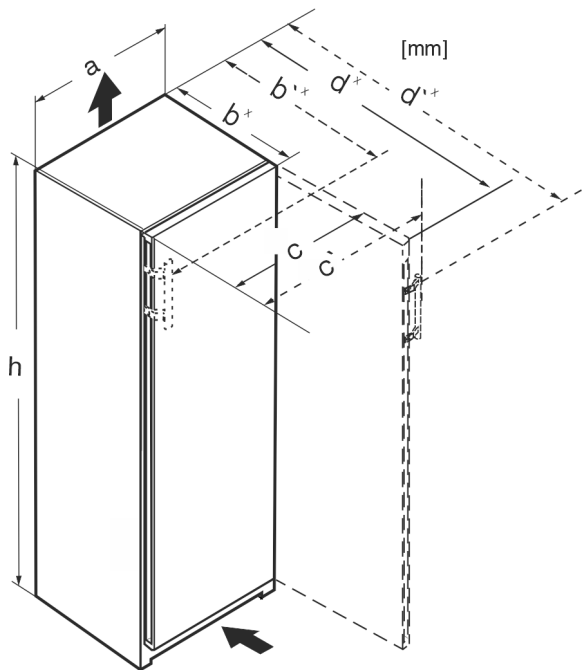


Fig. 1

	h	a	b	b'	c	c'	d	d'
RB.. 4250	1255	597	675 ^x	719 ^x	609	654	1215 ^x	1222 ^x
R.. 5250	1855	597	675 ^x	719 ^x	609	654	1215 ^x	1222 ^x
SR(B).. 525..(i)	1855	597	675 ^x	719 ^x	609	654	1215 ^x	1222 ^x
RB.. 528..(i)	1855	597	675 ^x	–	609	–	1217 ^x	–
SRB.. 528..(i)	1855	597	675 ^x	–	609	–	1217 ^x	–
SRB.. 529i	1855	597	675 ^x	719 ^x	609	654	1215 ^x	1222 ^x
SRB.. 526..(i)	1855	597	675 ^x	719 ^x	609	654	1215 ^x	1222 ^x

^x For appliances with supplied wall spacers, the dimensions must be increased by 15 mm .

3 Ventilation requirements

NOTICE

Risk of damage due to overheating in the case of insufficient ventilation!
In the case of insufficient ventilation, the compressor can be damaged.

- ▶ Make sure there is sufficient ventilation.
- ▶ Observe the ventilation requirements.

If the appliance is integrated in a fitted kitchen, the following ventilation requirements must be met:

- The spacing fins on the back of the appliance are used to ensure sufficient ventilation. These must not lie in cavities or recesses in their final installation position.
- Basically, the larger the ventilation gap, the more energy the appliance saves during operation.

4 Water connection*

If your appliance has a fixed water connection, a hose is supplied with it.

Note

You can purchase a hose of a different length as an accessory.

Overview of dimensions for the water connection:	(see 4.1 Dimensions for the water connection)
Requirements for the water pressure:	(see 4.2 Water pressure)
Make the water connection:	(see 9 Connecting the appliance to the water supply*)

4.1 Dimensions for the water connection

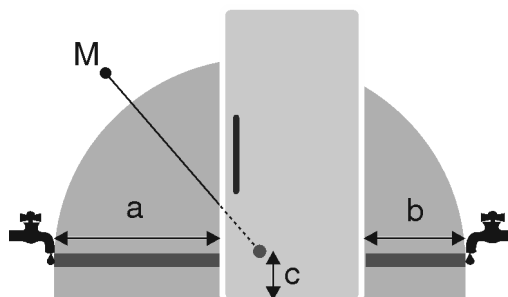


Fig. 2

- (a)** Maximum available hose length
- (b)** Maximum available hose length
- (c)** Distance of solenoid valve to floor
- (M)** Solenoid valve

For 600 mm wide appliances:

a	b	c
~ 1150 mm	~ 1000 mm	~ 150 mm

4.2 Water pressure

The water connection line and solenoid valve of the appliance are suitable for a water pressure of up to 1 MPa (10 bar).

To ensure that the appliance functions correctly (flow rate, ice cube size, noise level), maintain the following water pressure:

Water pressure:	
bar	MPa
1.5 to 6.2	0.15 to 0.62

Water pressure if using the water filter:*	
bar*	MPa*
2.8 to 6.2	0.28 to 0.62

Transporting the appliance

If the pressure is higher than 6.2 bar:

- ▶ Connect a pressure reducer.
- ▶ Make the water connection. (see 9 Connecting the appliance to the water supply*)

5 Transporting the appliance

Observe the following when transporting the appliance:

- ▶ Transport the appliance upright.
- ▶ Use two people when transporting the appliance.

During the first use:

- ▶ Transport the appliance packaged.

During appliance transport or at first use (e.g. when moving or cleaning):

- ▶ Empty the appliance.
- ▶ Secure the door against undesired opening.

6 Unpacking the appliance

If the appliance is damaged check with the supplier immediately before connecting it.

- ▶ Check the appliance and packaging for damage during transport. If you suspect any damage, please contact your supplier immediately.
- ▶ Remove all materials that could prevent it from being installed properly or prevent proper ventilation from the back or the side panels of the appliance.
- ▶ Remove all protective films from the appliance. Do not use sharp or pointed objects for this.

7 Disposal of packaging



WARNING

Danger of suffocation from packaging materials and films!

- ▶ Do not allow children to play with packaging materials.

The packaging is made from recyclable materials:

- Corrugated card/cardboard
 - Parts made of foamed polystyrene
 - Films and bags from polyethylene
 - Packing bands from polypropylene
 - Wood frame nailed together with a polyethylene window*
- ▶ Take the packaging material to an official collection point.

8 Reversing the door

Tools

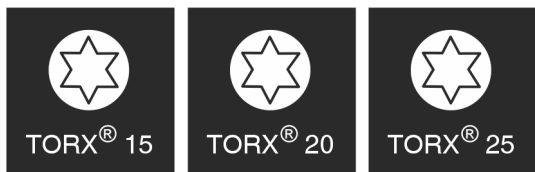
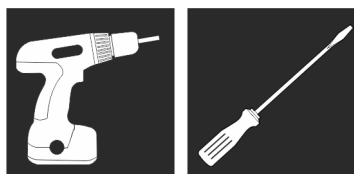


Fig. 3



WARNING

Danger of injury due to door falling out!

If the bearing parts are not screwed on tightly enough, the door may fall out. This can result in serious injuries. In addition, the door may not close causing the appliance to cool improperly.

- ▶ Screw on the bearing brackets/bearing pins tightly with 4 Nm.
- ▶ Check all screws and retighten them if necessary.

These sections apply for appliances **with a soft stop mechanism**:

- For appliances **with** a soft stop mechanism
- For all appliances

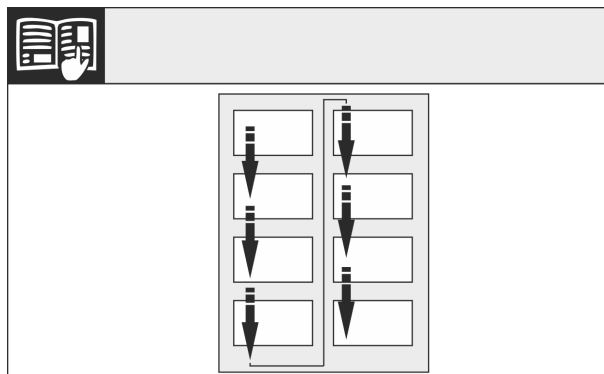


Fig. 4

Observe the reading direction.

8.1 Taking off the soft stop mechanism

For appliances with soft stop mechanism:

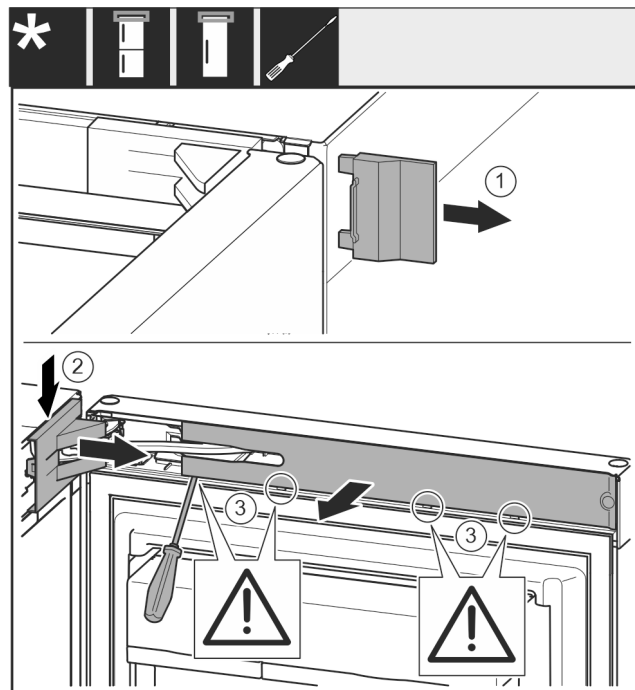


Fig. 5

- ▶ Open the door.

NOTICE

Risk of damage!

If the door seal is damaged the door may not close properly and the level of cooling is insufficient.

- ▶ Do not damage the door seal with the screwdriver!

- ▶ Remove the outer cover. *Fig. 5 (1)*
- ▶ Disengage and release the bearing bracket cover. Remove the bearing bracket cover. *Fig. 5 (2)*
- ▶ Unlatch the panel with a slotted screwdriver and swivel it to one side. *Fig. 5 (3)*

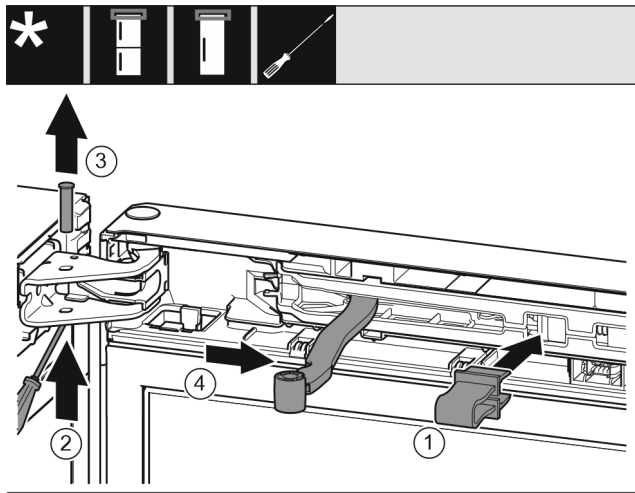


Fig. 6



CAUTION

Crushing hazard from the folding bracket!

- ▶ Engage the locking device.
- ▶ Engage the locking device in the opening. *Fig. 6 (1)*
- ▶ Unscrew the bolt with a screwdriver. *Fig. 6 (2)*
- ▶ Remove the bolt upwards. *Fig. 6 (3)*
- ▶ Turn the hinge in the direction of the door. *Fig. 6 (4)*

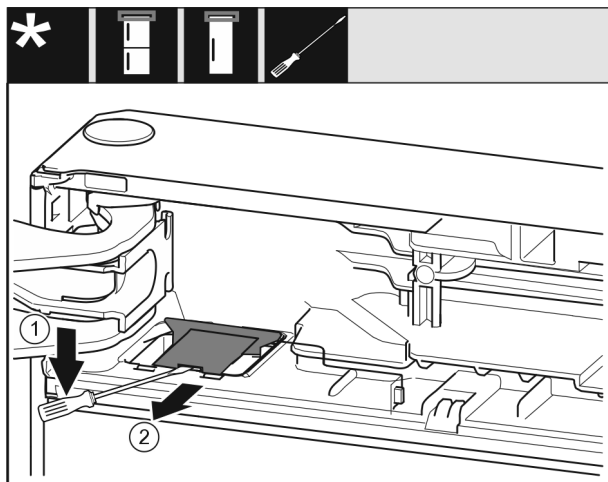


Fig. 7

- ▶ Unlatch the cover with a slotted screwdriver and lift it up. *Fig. 7 (1)*
- ▶ Take out the cover. *Fig. 7 (2)*

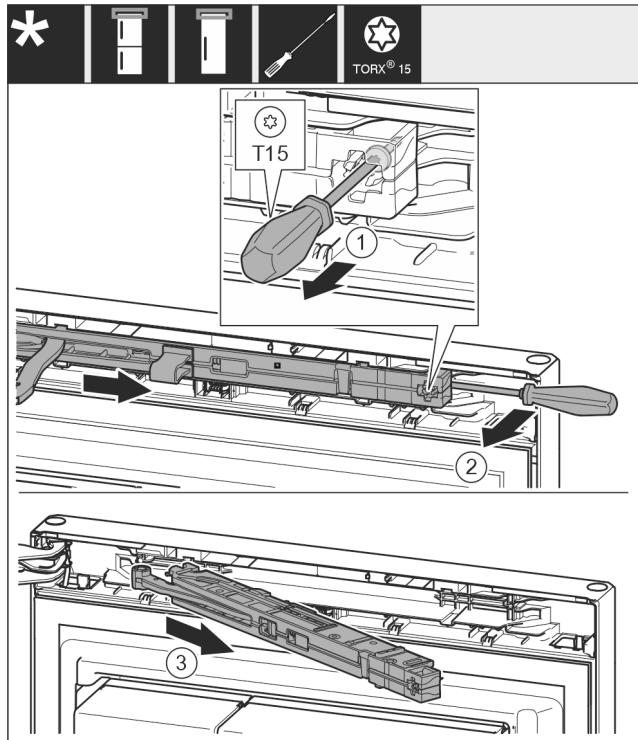


Fig. 8

- ▶ Undo the soft stop mechanism screw with a T15 screwdriver approx. 14 mm. *Fig. 8 (1)*
- ▶ Insert a screwdriver behind the soft stop mechanism on the handle side and rotate the unit forwards. *Fig. 8 (2)*
- ▶ Pull out the soft stop unit. *Fig. 8 (3)*

8.2 Removing the door

Note

- ▶ To prevent food items from falling out, take all food out of the door racks before removing the door.

For all appliances:

Reversing the door

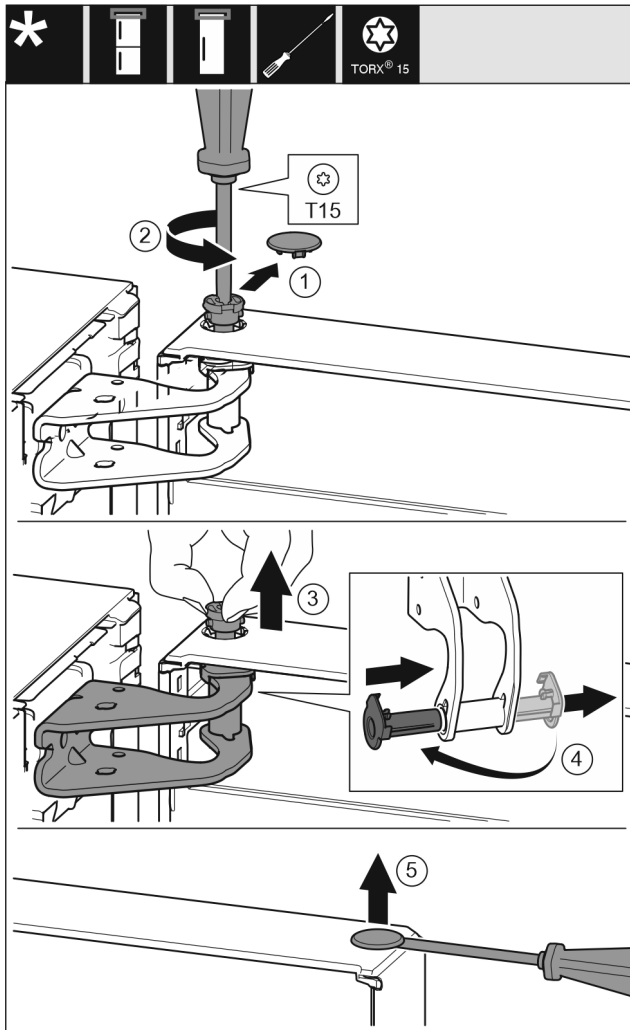


Fig. 9



CAUTION

Risk of injury if the door tips out!
 ► Keep a steady grip on the door.
 ► Set the door down carefully.

- Carefully remove the protective cover. Fig. 9 (1)
- Loosen the bolts slightly with a T15 screwdriver. Fig. 9 (2)
- Hold the door and remove the bolts with your fingers. Fig. 9 (3)
- Pull the bearing bush out of the guide. Insert from the other side and latch into place. Fig. 9 (4)
- Lift the door and place it to one side.
- Carefully lift the plugs out of the door bearing bush with a slotted screwdriver and remove them. Fig. 9 (5)

8.3 Moving the upper bearing parts to the other side

For all appliances:

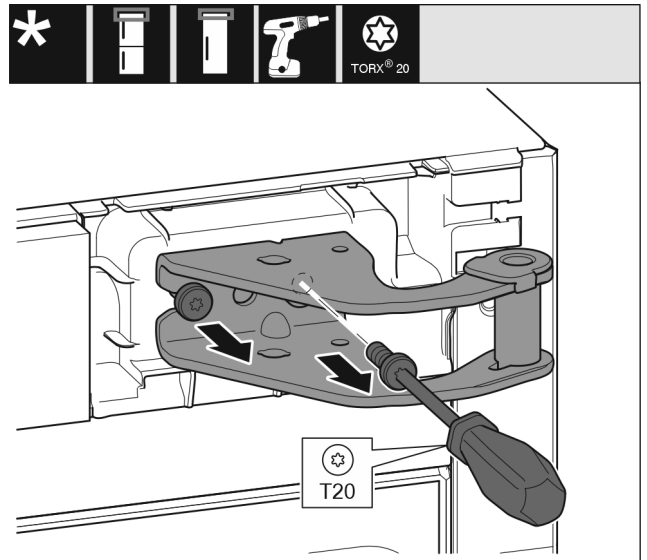


Fig. 10

- Remove both screws with a T20 screwdriver.
- Lift and remove the bearing bracket.

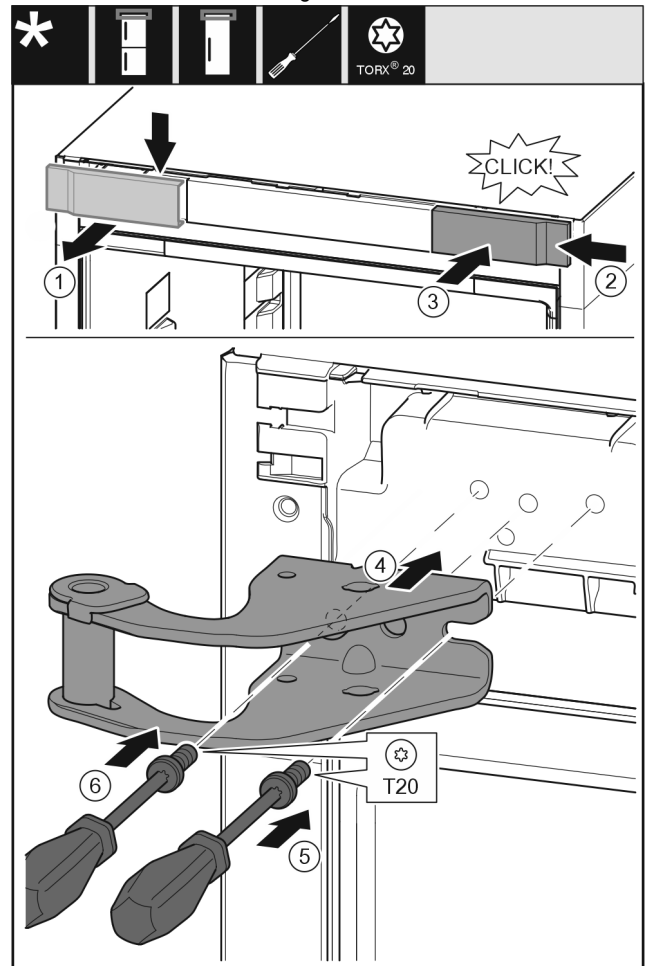


Fig. 11

- Take off the cover to the front from above. Fig. 11 (1)
- Rotate the cover 180° and clip onto the other side from the right. Fig. 11 (2)
- Latch the cover into place. Fig. 11 (3)
- Position the upper bearing bracket. Fig. 11 (4)
- Insert the screw with a T20 screwdriver and tighten it. Fig. 11 (5)
- Insert the screw with a T20 screwdriver and tighten it. Fig. 11 (6)

8.4 Moving the lower bearing parts to the other side

For all appliances:

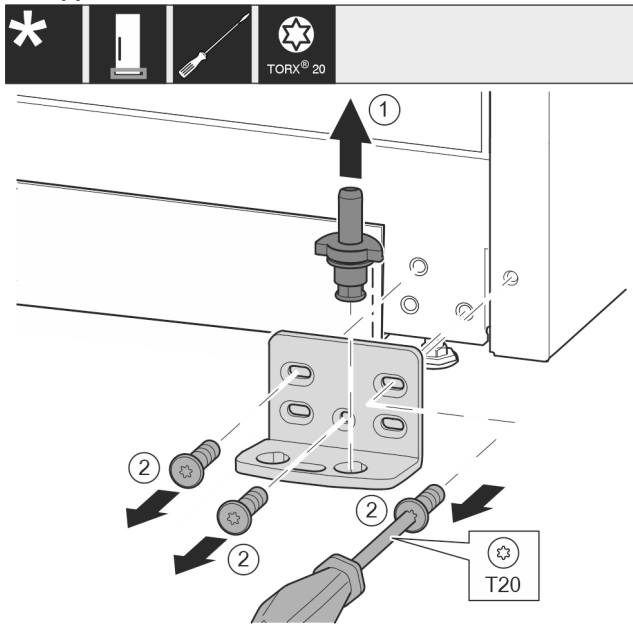


Fig. 12

- ▶ Lift the bearing pin completely upward and remove it. Fig. 12 (1)
- ▶ Remove the screws with the T20 screwdriver and take off the bearing bracket. Fig. 12 (2)

For all appliances:

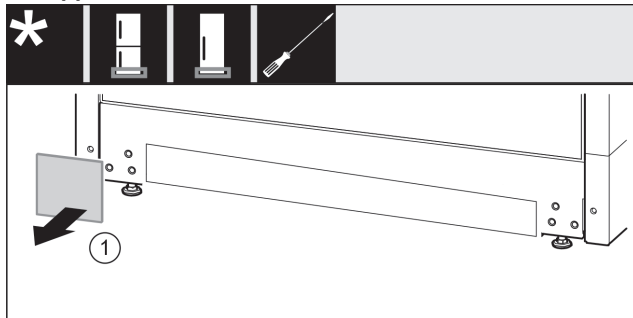


Fig. 13

- ▶ Take off the cover. Fig. 13 (1)

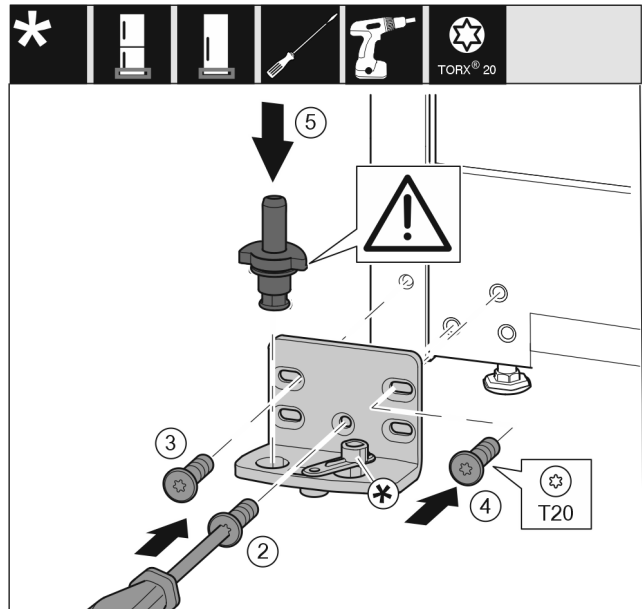


Fig. 14

- ▶ Place the bearing bracket on the other side and screw it in using the T20 screwdriver. Start with screw 2 at the bottom in the middle. Fig. 14 (2)
- ▶ Screw in screws 3 and 4. Fig. 14 (3,4)
- ▶ Insert the bearing pin completely. Make sure that the latching lug is pointing to the rear. Fig. 14 (5)

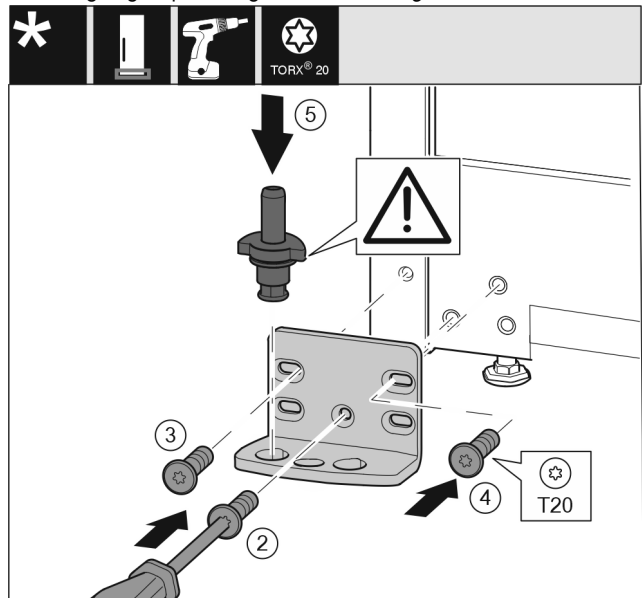


Fig. 15

- ▶ Place the bearing bracket on the other side and screw it in using the T20 screwdriver. Start with screw 2 at the bottom in the middle. Fig. 15 (2)
- ▶ Screw in screws 3 and 4. Fig. 15 (3,4)
- ▶ Insert the bearing pin completely. Make sure that the latching lug is pointing to the rear. Fig. 15 (5)

Reversing the door

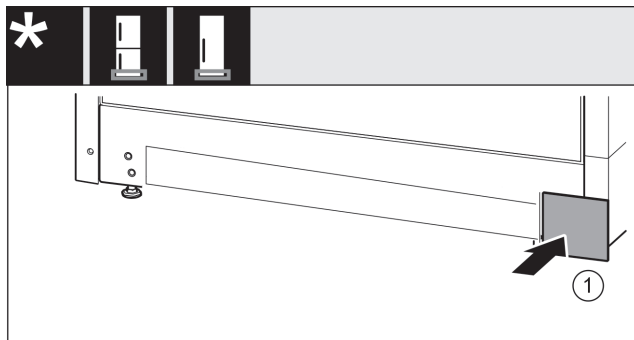


Fig. 16

► Put back the cover on the other side. Fig. 16 (1)

8.5 Moving the handles to the other side*

For all appliances:

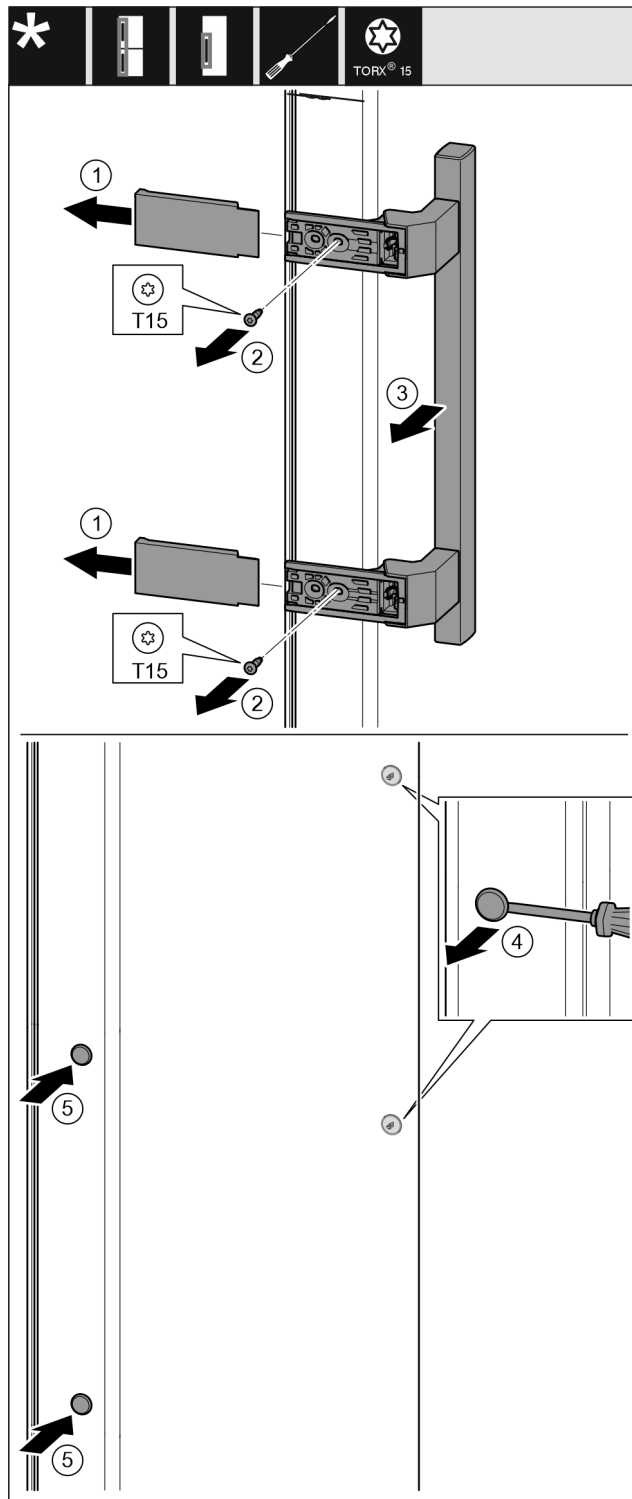


Fig. 17

- Pull off the cover. Fig. 17 (1)
- Remove the screws with the T15 screwdriver. Fig. 17 (2)
- Remove the handle. Fig. 17 (3)
- Carefully lift up the side plugs with a slotted screwdriver and pull them out. Fig. 17 (4)
- Insert the plugs again on the other side. Fig. 17 (5)

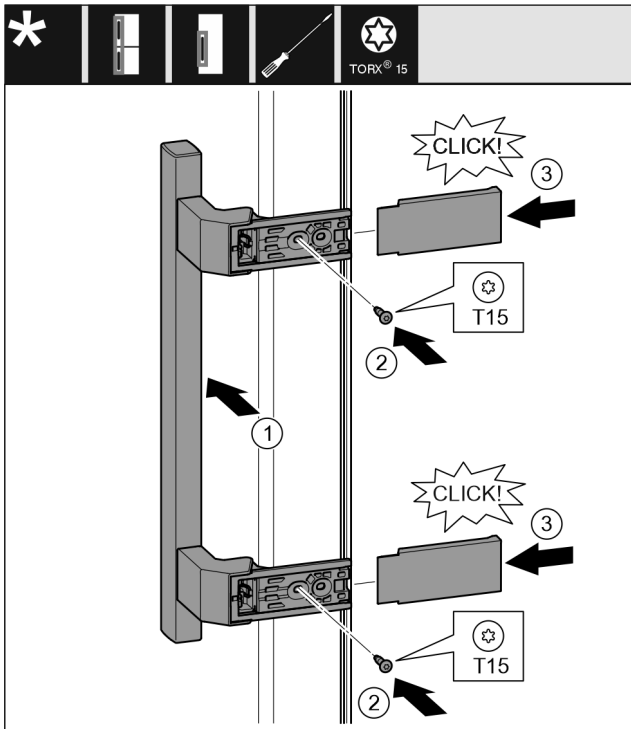


Fig. 18

- ▶ Position the handle on the opposite side. Fig. 18 (1)
- ▷ The screw holes must be exactly above each other.
- ▶ Tighten the screws using the T15 screwdriver. Fig. 18 (2)
- ▶ Position the covers on the side and push them on. Fig. 18 (3)
- ▷ Ensure that they latch into place correctly.

8.6 Fitting the door

For all appliances:

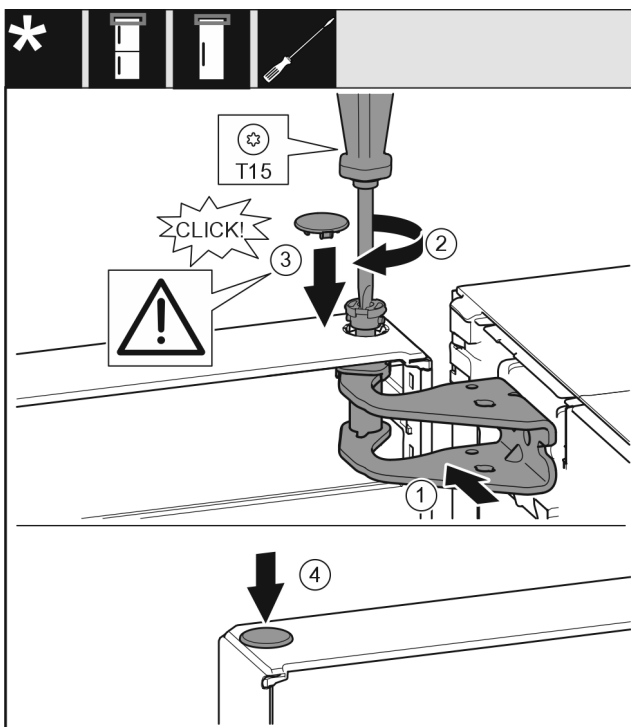


Fig. 19

- ▶ Place the door on the bottom bearing pins.
- ▶ Align the top of the door with opening in the bearing bracket. Fig. 19 (1)
- ▶ Insert the bolt and tighten with a T15 screwdriver. Fig. 19 (2)

- ▶ Fit the protective cover to protect the door: Insert the protective cover and check that it lies flush on the door. If not, insert the bolt fully. Fig. 19 (3)
- ▶ Insert the plugs. Fig. 19 (4)

8.7 Aligning the door

For all appliances:



WARNING

Danger of injury due to door falling out!

If the bearing parts are not screwed on tightly enough, the door may fall out. This can result in serious injuries. In addition, the door may not close causing the appliance to cool improperly.

- ▶ Screw the bearing brackets on firmly with 4 Nm.
 - ▶ Check all screws and retighten them if necessary.
-
- ▶ Align the doors flush with the appliance housing using the two slots in the lower bearing bracket, if needed. To do this undo the middle screw in the bottom bearing bracket with the T20 tool supplied. Undo the remaining screws a little with the T20 tool or with a T20 screwdriver and align via the slots.
 - ▶ Prop up the door: Screw out the adjustable foot on the bearing bracket using the open-ended wrench SW10 until it comes into contact with the floor, then turn an additional 90°.

8.8 Fitting the soft stop mechanism

For appliances with soft stop mechanism:

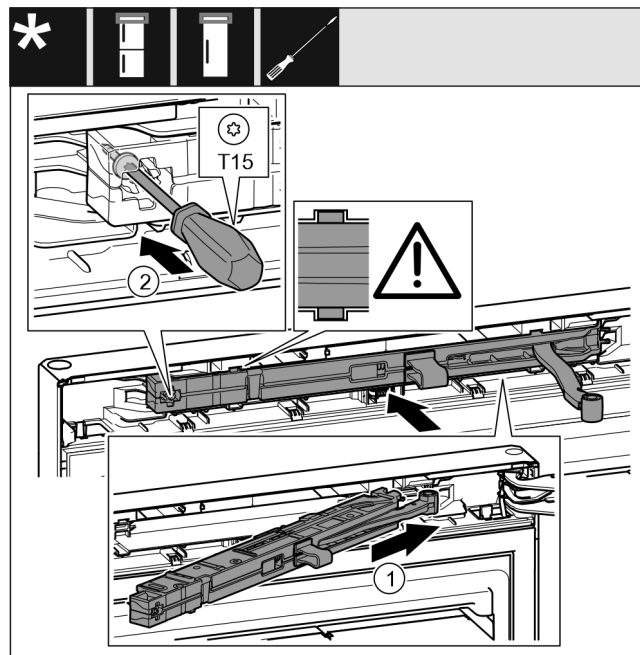


Fig. 20

- ▶ Slide the soft stop mechanism on the bearing bracket side at an angle into the recess as far as it will go. Fig. 20 (1)
- ▶ Slide the unit in fully.
- ▷ The unit is positioned correctly when the rib on the soft stop unit is in the guide on the housing.
- ▶ Tighten the screw using a T15 screwdriver. Fig. 20 (2)

Connecting the appliance to the water supply*

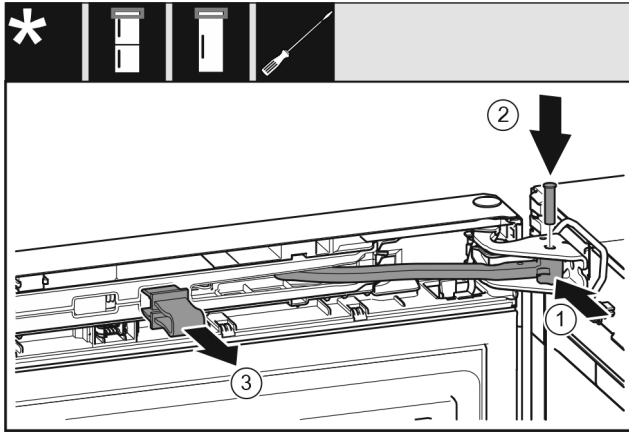


Fig. 21

The door is open 90°.

- ▶ Turn the hinge in the bearing bracket. Fig. 21 (1)
- ▶ Insert the bolt in the bearing bracket and hinge. Make sure that the latching lug is sitting correctly in the groove. Fig. 21 (2)
- ▶ Remove the locking device. Fig. 21 (3)

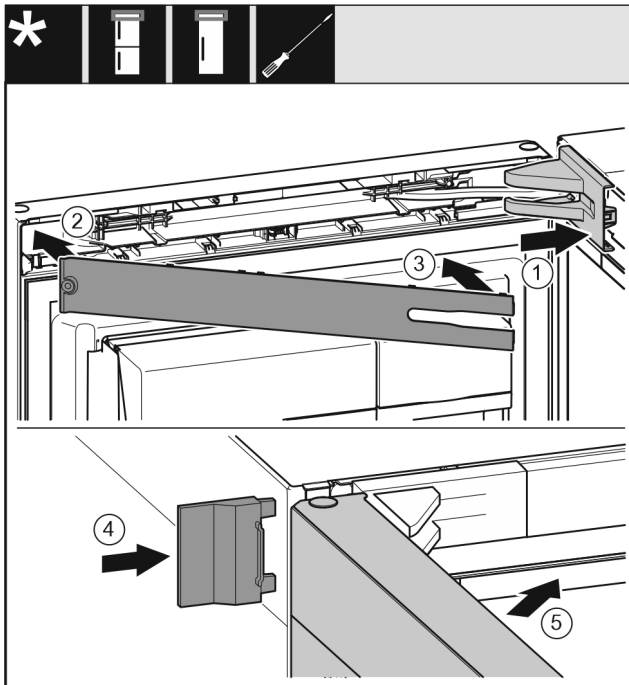


Fig. 22

- ▶ Position the bearing bracket cover and engage it. If necessary push it apart carefully. Fig. 22 (1)
- ▶ Place on the panel. Fig. 22 (2)
- ▶ Swing in the panel and latch it into place. Fig. 22 (3)
- ▶ Slide on the outer cover. Fig. 22 (4)
- ▶ Close the upper door. Fig. 22 (5)

9 Connecting the appliance to the water supply*

Make sure that the following requirements are fulfilled:

- ❑ The dimensions for the water supply connection are known and complied with.
- ❑ The correct water pressure is maintained.
- ❑ Water is supplied to the appliance via a cold water pipe that can withstand the operating pressure and is connected to the drinking water supply.
- ❑ All equipment and devices used for the water supply comply with the applicable regulations in the country of use.

- ❑ The back of the appliance is accessible so that you can connect the appliance to the drinking water supply.
- ❑ You are using the supplied hose. Old hoses have been disposed of.
- ❑ The hose connector contains a screen filter with a seal.
- ❑ There is a faucet between the hose line and the domestic water connection so that you can turn off the water supply if necessary.
- ❑ The faucet is not directly behind the appliance and is easily accessible. This way, you can push the appliance as close as possible to the wall and can quickly turn off the faucet if necessary.



WARNING

Risk of electric shock from water!

- ▶ Before connecting to the water hose: Disconnect the appliance from the mains.
- ▶ Before connecting to water lines: Shut off the water supply.
- ▶ Make sure that only qualified personnel connect the device to the drinking water supply.



WARNING

Risk of poisoning due to contaminated water!

- ▶ Connect to potable water supply only.

9.1 Connecting the hose

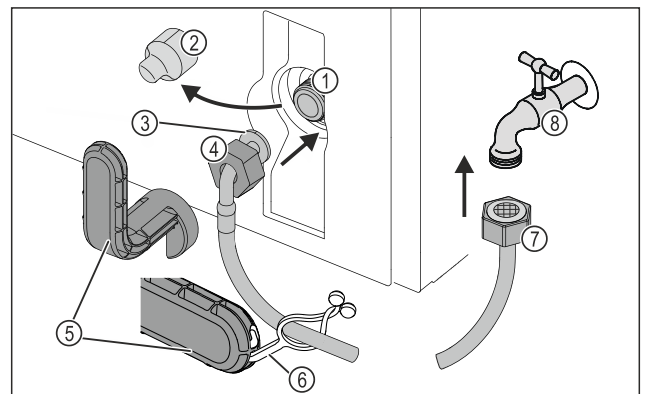


Fig. 23

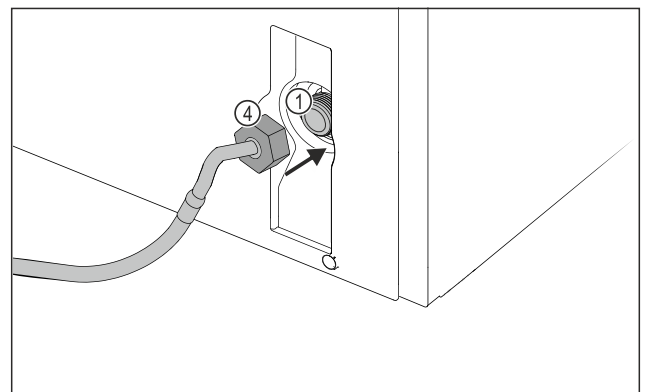


Fig. 23

(1) Solenoid valve: The solenoid valve is at the bottom on the back of the appliance. It has an R3/4 connecting thread.

(2) Cover
(3) Angled hose end

(5) Tool

(6) Lug
(7) Straight hose end

(4) Nut

(8) Faucet

NOTICE

Risk of damage from incorrect installation!

- ▶ Do not damage or kink the hose.
- ▶ Do not damage or kink the hose when setting up the appliance.

Connecting the hose to the appliance:

- ▶ Pull off the cover *Fig. 23 (2)*.
- ▶ Push and hold the nut *Fig. 23 (4)* all the way over the angled hose end *Fig. 23 (3)*.

NOTICE

The solenoid valve will not be tight if the thread is damaged! If the solenoid valve is not tight, water may leak out.

- ▶ Observe the following instructions for fitting the nut on the solenoid valve.
- ▶ Carefully position and hold the nut *Fig. 23 (4)* on the solenoid valve *Fig. 23 (1)*.
- ▶ Screw the nut *Fig. 23 (4)* onto the thread by hand until it is firmly in place.



WARNING

Danger of cuts if the tool is broken!

- ▶ Only use the tool *Fig. 23 (5)* at room temperature.

- ▶ Tighten the nut *Fig. 23 (4)* clockwise with the tool *Fig. 23 (5)* until the maximum torque is reached and the tool *Fig. 23 (5)* no longer tightens.
- ▷ The hose is connected to the appliance.

Connecting the hose to the faucet:

- ▶ Screw the nut *Fig. 23 (7)* onto the faucet *Fig. 23 (8)*.



WARNING

Danger of cuts if the tool is broken!

- ▶ Only use the tool *Fig. 23 (5)* at room temperature.

- ▶ Tighten the nut *Fig. 23 (7)* clockwise with the tool *Fig. 23 (5)* until the maximum torque is reached and the tool *Fig. 23 (5)* no longer tightens.
- ▶ Hook the lug *Fig. 23 (6)* into the tool *Fig. 23 (5)*.
- ▶ Fasten the lug *Fig. 23 (6)* to keep it on the hose.
- ▷ The hose is connected to the faucet.

9.2 Check the water system

Before you completely install the appliance, Liebherr recommends checking the water system for leaks.

- ▶ Put in the InfinitySpring water tank. (see 10 Water tank*)
- ▶ Put in the InfinitySpring water filter. (see 11 Water filter*)
- ▶ Slowly turn on the faucet.
- ▶ Check the hose, water feed and connections for leaks.
- ▷ The water system has now been checked for leaks.
- ▷ The water system is not leaking: You can install up the appliance completely.

Note

InfinitySpring: Before the first use, you must put the InfinitySpring into operation. To do this you must bleed and clean the water system. (see Quick Start Guide or operating instructions)*

10 Water tank*

Depending on your model, the InfinitySpring water tank is behind the lowest drawer in the fridge or BioFresh compartment

10.1 Inserting the water tank

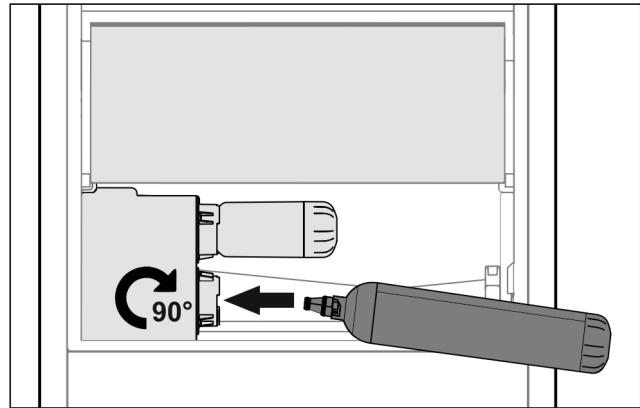


Fig. 24

- ▶ Remove the drawer.
- ▶ Insert the water tank and turn approx. 90° to the right until it engages.
- ▶ Check that the water tank is sealed and no water leaks out.
- ▶ Insert the drawer.
- ▶ Vent the water system (see Installation Instructions, Water Connection)

Instead of the water filter, you can use an additional water tank.

Note

The water tank is available as a spare part.

11 Water filter*

Depending on your model, the water filter is behind the lowest drawer in the fridge or BioFresh compartment.

It absorbs deposits in the water and reduces the taste of chlorine.

- Replace the water filter at least every 6 months under the specified usage conditions or if the flow rate drops significantly.
- The water filter contains carbon and can be disposed of with the regular household waste.

Note

The water filter can be purchased from the Liebherr-Hausgeräte store at home.liebherr.com/shop/de/deu/zubehor.html.

Water filter*

11.1 Installing the water filter

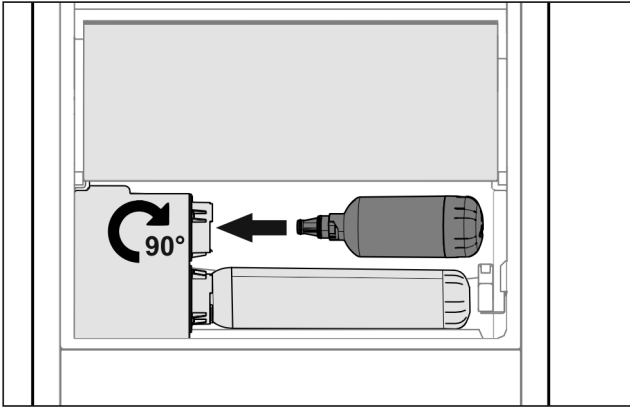


Fig. 25

- ▶ Remove the drawer.
- ▶ Insert the water filter and turn clockwise approx. 90° until it engages.
- ▶ Make sure the filter does not leak and no water is coming out.
- ▶ Insert the drawer.

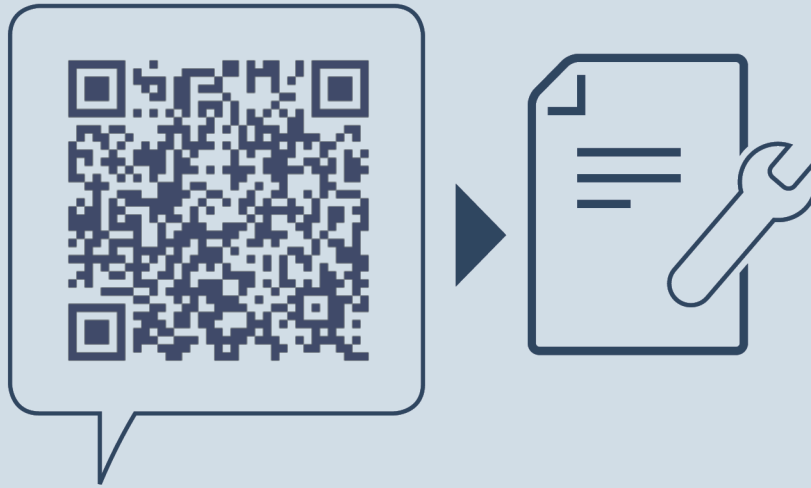


CAUTION

New water filters may contain particulate matter.

- ▶ Draw 3 l of water from the InfinitySpring and dispose of it.

-
- ▷ The water filter is now ready for use.



home.liebherr.com/fridge-manuals

EN Refrigerator

Issue date: 20240212

Part number index: 7086335-00

Liebherr-Hausgeräte Marica EOOD
Bezirk Plovdiv
4202 Radinovo
Bulgarien