

# RU 510

Undercounters

# LIEBHERR

## Refrigeration and Freezing



home.liebherr.com



### RU 510

Sound rating dB(A)	30
Refrigerator capacity cu.ft. (l)	3.8 (108)
Electronic control	Touch electronic
Defrost type	Automatic
Interior light	LED lighting
Number of shelves	4
Shelves on telescopic rails	1
Shelf material	Glass
Number of door racks	-
Temperature range °F (°C)	36 to 68°F ( 2 to 20°C)
Door Alarm	Acoustic
Safety Thermostat	Yes
Door type	Glass door with stainless steel frame
Integrated lock	Yes
Door hinges	Right, reversible
<b>Product dimensions</b>	
in inch (H / W / D)	32 1/4" / 23 9/16" / 22 3/4"
in cm (H / W / D)	81.8 / 59.7 / 57.7
<b>Cut out dimensions</b>	
in inch (H / W / D)	32 5/16 - 34 5/16 / 23 5/8 / 22 7/8
in cm (H / W / D)	82-87 / 60 / 58
Net weight lbs. (kg)	103.6 (47)
Voltage V / Hz	115/60

### Accessories

<b>SBS kit</b>	9902272
<b>Overlay kit</b>	9590131

### Features

#### LED

LED lighting is energy efficient, long-lasting, and maintenance-free. It illuminates the refrigerator to ensure that your foods are visible.

#### Telescopic Rails

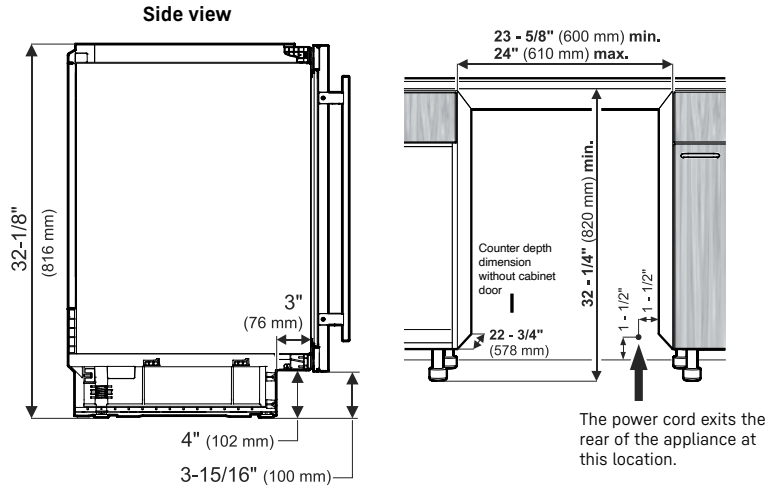
Telescopic rails a self-closing system for drawers and shelves, ensures easy and convenient handling.

#### ADA Compliant

ADA compliant, designed to fit under counter heights between 32" and 34".

# Diagrams

## Appliance and Cabinet Dimensions



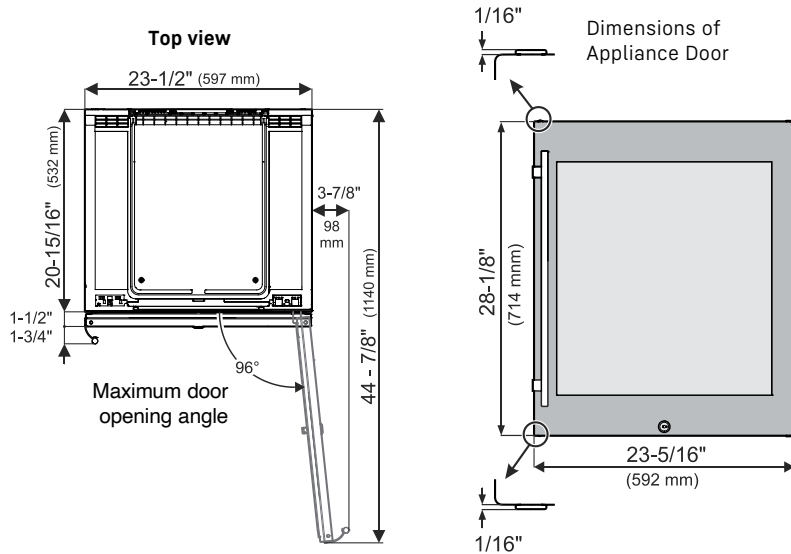
**Height when adjustable feet have been screwed in as far as they will go**

Delivery status = feet approx. 1/8" unscrewed.

**Maximum height adjustment = 2" (51 mm)** to allow for a 6" (153 mm) toe kick.

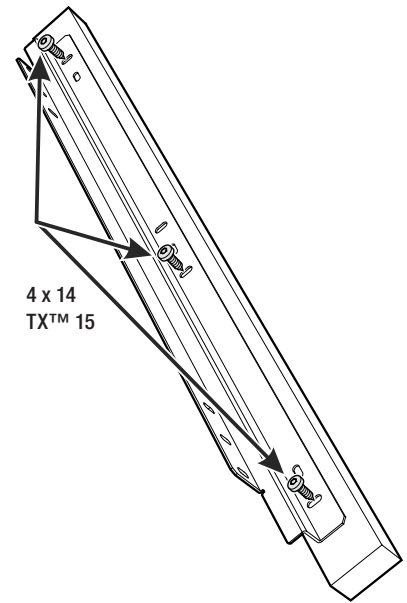
Free length of the power cord = **78 - 3/4 inch (2000 mm)**

**IMPORTANT**  
The electrical outlet must not be situated behind the appliance and must be easily accessible.



**IMPORTANT**  
The floor on which the appliance stands must be horizontal and level.  
The kitchen units must be aligned horizontally and vertically.

## Mounting the panel onto the angle bracket



Mount the panel onto the angle bracket using three 4 x 14 screws.

## Appliance Venting

The appliance ventilation is in the toe kick. To adjust your wine unit to the counter height, an adjustable toe kick is included.

Height can be adjusted from 4 to 6 1/2".

