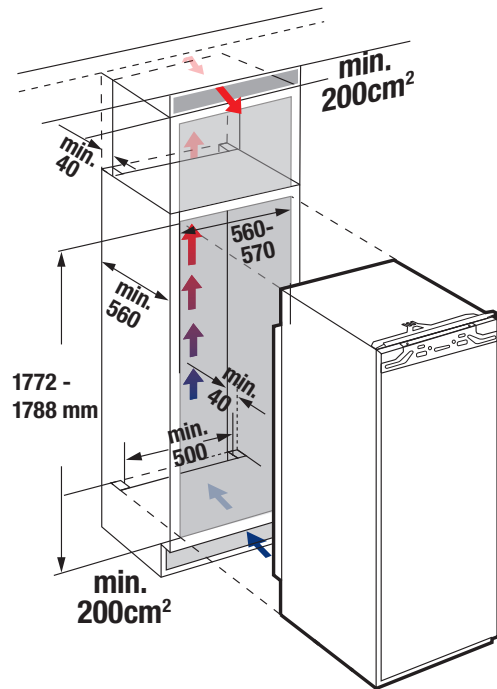
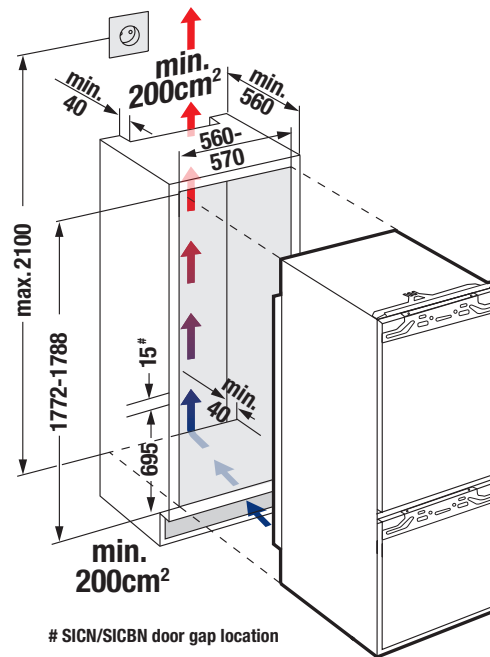


Integrated Ventilation

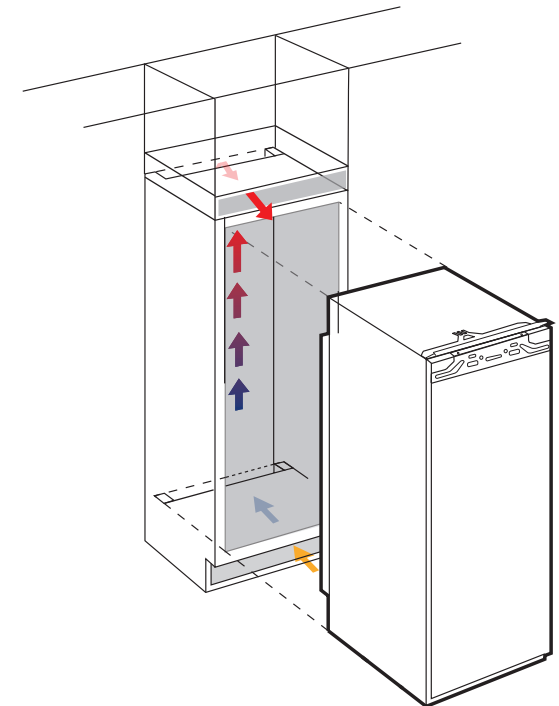
VENTING ABOVE CUPBOARD



VENTING INTO CEILING SPACE*



VENTING AT TOP OF UNIT



Figures 1, 2 and 3 represent the alternate ways that Liebherr integrated appliances can be installed to ensure correct ventilation requirements are achieved.

Arrows denote airflow from ventilation entry to exit point. The ventilation options are applicable to the following models: SICBN 3356, SICBN 3366, SICN 3356, SICN 3366, SIGN 3576, SIKB 3550, EWT 3553 and Project Only Models SICN 3314, SIKB 3520 & SIGN 3524.

* Ceiling spaces and bulkheads must be well ventilated.

LIEBHERR