

# The Perfect Match For Your Kitchen

Quality, Design and Innovation



SIKB 3520



# LIEBHERR



**Door-on-door technology:** Allows custom panels to be affixed directly onto the appliance door so that the hinges are concealed, plus the cabinet and the fridge open as one, ensuring a wide range of design options and easy installation.



**MagicEye control system:** Our control panel ensures all functions are easy and convenient to use as well as guaranteeing that the settings selected remain accurate and constant.

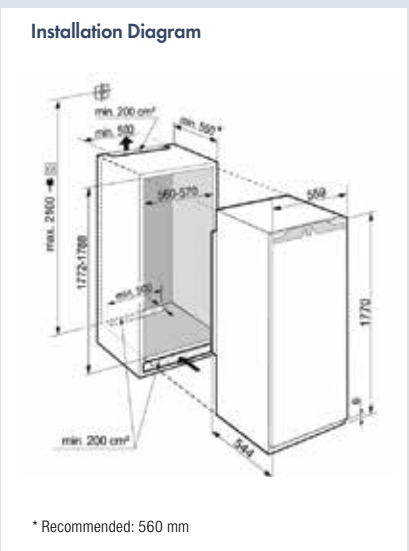


**BioFresh:** BioFresh guarantees the perfect temperature and ideal humidity for much longer freshness. While the DrySafe is perfect for meat, fish, and dairy products, the high humidity in the Fruit & Vegetable-Safe can prevent fruit and vegetables from drying out and helps preserve stored goods for an even longer period.

Hidden away behind custom cabinetry, Liebherr's fully integrated **SIKB 3520** is the perfect refrigerator for any kitchen. BioFresh technology keeps meat, fish, and dairy products fresh in the DrySafe compartment, while high humidity in the Fruit & Vegetable-Safe efficiently retains natural moisture in unpackaged fruits and vegetables.

Also featured is Liebherr's SuperCool function which reduces the temperature of the refrigerator to +3°C for 6 hours (switching back to normal operation automatically). By activating prior to grocery shopping, it will assist with cooling the new food more rapidly, thereby prolonging food preservation. SuperCool will also assist in reducing any excessive temperature rise in existing food in the refrigerator when new food is added and when the door is opened, prolonging freshness.

<b>SIKB 3520</b>	
Comfort	<div style="display: flex; gap: 5px;"> <div style="background-color: #90EE90; padding: 2px 5px; font-size: 8px;">Bio Fresh</div> <div style="background-color: #ADD8E6; padding: 2px 5px; font-size: 8px;">Super Cool</div> </div>
Energy consumption (kWh/yr)   Star rating	149   4.0
Compressors	1
Total Usable Litres	306
Refrigerator Usable Litres	212
BioFresh Usable Litres	94
MagicEye control system   Display	•   LCD
Child proof setting for display & temperature	•
Standard lighting	•
Door open warning signal	•
BioFresh drawers on telescopic rails	3
SuperCool	•
GlassLine shelves	•
Elegant holding columns	•
Egg tray	•
Automatic refrigerator defrosting	•
Door hinges	Right, reversible
Voltage (V)   Rated Current (A)	220-240   1.2
Made in	Germany



*Note: Whilst every effort is made to ensure all specifications and information in this flyer are accurate, Liebherr reserves the right to make changes without notification. Where actual appliance measurements, specifications, and ratings are crucial, we recommend that the actual appliance installation instructions that accompany each appliance be checked. Liebherr will not be liable for any loss.*