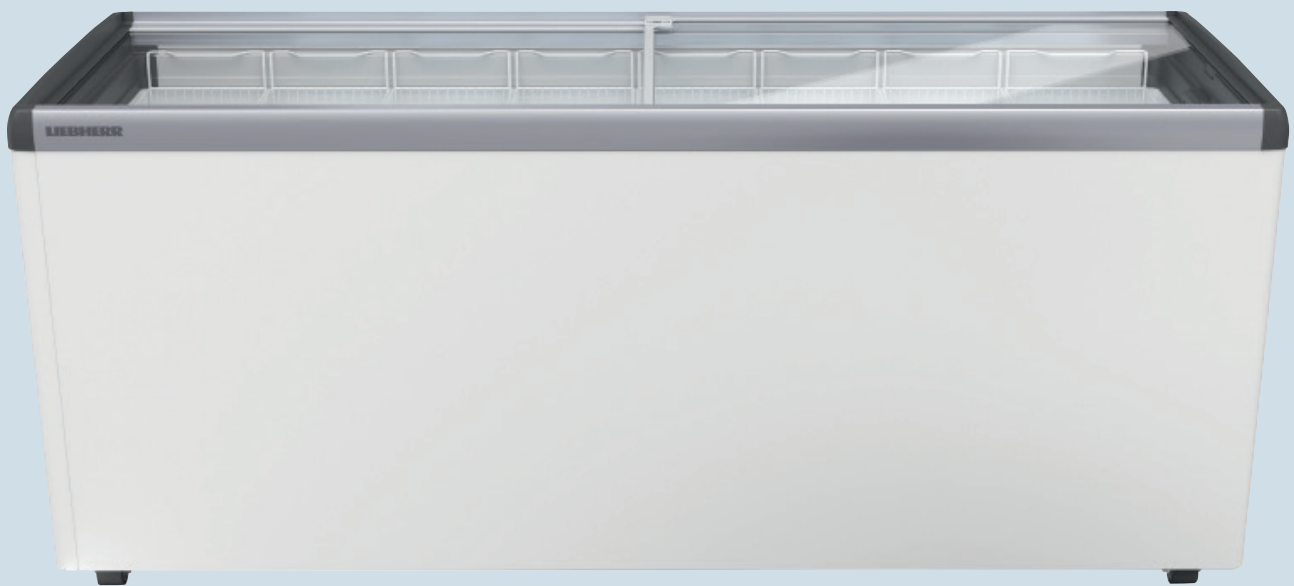
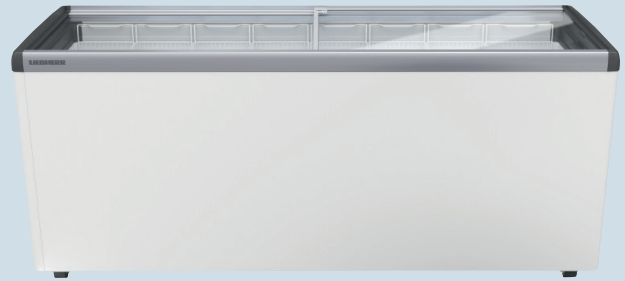


EFE 6052

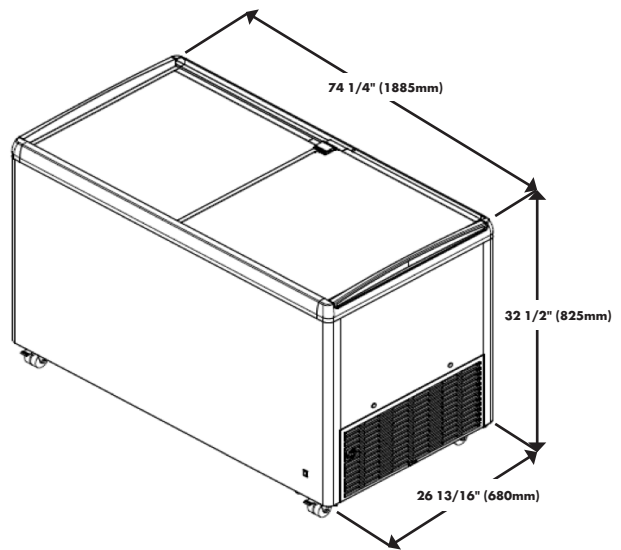


LIEBHERR

Impulse Sales Chest Freezer



Unit Dimensions



Impulse Sales Chest Freezer	EFE 6052	LED
Total gross/net capacity cu.ft. (l)	20.9 / 16.1 (593 / 457)	
Exterior dimensions in inches (w/d/h) in mm (w/d/h)	74 1/4" / 26 13/16" / 32 1/2" 1885 / 680 / 825	
Interior dimensions in inches (w/d/h) in mm (w/d/h)	69 5/16" / 21 1/8" / 20 5/8" 1760 / 535 / 523	
Total display area in m² (TDA) / ft²	1.03 / 11.08	
Energy consumption in 365 days *	1119 kWh	
Ambient temperature in °F (°C)	50°F to 95°F (10°C to 35°C)	
Refrigerant	R290	
Sound rating **	52 dB(A)	
Connection rating	5.5 A/299 W	
Frequency / Voltage	60 Hz/115 – 127V~	
Cooling system	static	
Defrost	manual	
Temperature range °F (°C)	14°F to -11°F (-10°C to -24°C)	
Lid material	sliding glass lid	
External cabinet finish	steel/white	
Internal liner material	steel	
Frame color	grey	
Type of control	analog control	
Temperature display	internal analogue	
Interior light	LED	
Number of baskets	8	
Number of baskets, max (see picture)	8	
Castors	swivel castors	
Lock	can be retrofitted	
Insulation in inches (mm)	2 3/8" (60)	
Water drain	yes	
Gross/net weight in lbs (kg)	203.9 / 181.4 (92.5 / 82.3)	
Accessories		
Basket 270 mm	7111095	
Basket 210 mm	7111097	
Partition grid 270 mm	7111029	
Partition grid 210 mm	7111784	
Rubber bumpers, grey	7266707	
Cylinder lock for glass sliding lid	7043660	
Scoop ice cream containers	on request	
Baskets for scoop ice cream containers	on request	
External thermostat dial	on request	

Subject to modification. For up-to-date information, visit home.liebherr.com.