

F 913



 GERMAN
ENGINEERING

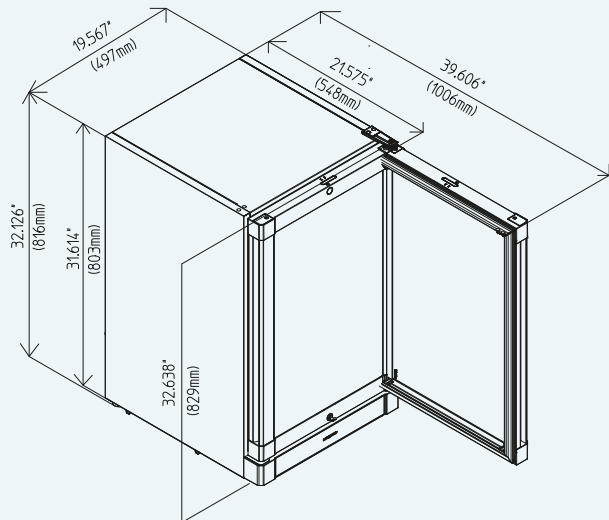
LIEBHERR

CounterTop Static Manual Defrost Freezer



CounterTop Freezer	F 913	LED
Total gross/net capacity cu.ft. (l)	3.1/3.1 (88/88)	
Exterior dimensions in inches (w/d/h)	19 5/8"/22"/32 5/16"	
in mm (w/d/h)	497/558/816	
Interior dimensions in inches (w/d/h)	14 7/8"/16 15/16"/24 1/16"	
in mm (w/d/h)	377/430/611	
Energy consumption in 365 days *	811 kWh	
Ambient temperature in °F (°C)	50°F to 86°F (10°C to 30°C)	
Refrigerant	R290	
Sound rating **	50 dB(A)	
Connection rating	3.5 A/240 W	
Frequency/voltage	60 Hz/115V~	
Cooling system	static	
Defrost	manual	
Temperature range in °F (°C)	14°F to -13°F (-10°C to -25°C)	
External cabinet finish	steel/silver	
Door/lid material	glass door	
Internal liner material	steel	
Type of control	analog control	
Temperature display	internal analogue	
Interior light	LED light column on right	
Adjustable shelves	4	
Shelf material	wire shelves plastic-coated	
Shelf load weight in lbs (kg)	66.1 (30)	
Usable shelf area in inches (mm)	14 7/8"/14 11/16" (377/373)	
Handle	recessed grip	
Lock	recessed	
Self-closing door	yes	
Door hinges	right, reversible on site	
Insulation in inches (mm)	2 3/8" (60)	
Gross/net weight in lbs (kg)	105.4/99.9 (47.8/45.3)	
Accessories		
Scannerrails	7444051	
Stacking kit left	9875033	
Stacking kit right	9875035	

Unit Dimensions



* Measured unloaded at 80°F (26.6°C) ambient temperature with set point of 38°F (3.3°C).
 ** Noise level – sound power re 1pW – according to IEC 60704-2-14.

Subject to modification. For up-to-date information, visit home.liebherr.com.