

# Fv 913

---

Premium



---

 GERMAN  
ENGINEERING

---

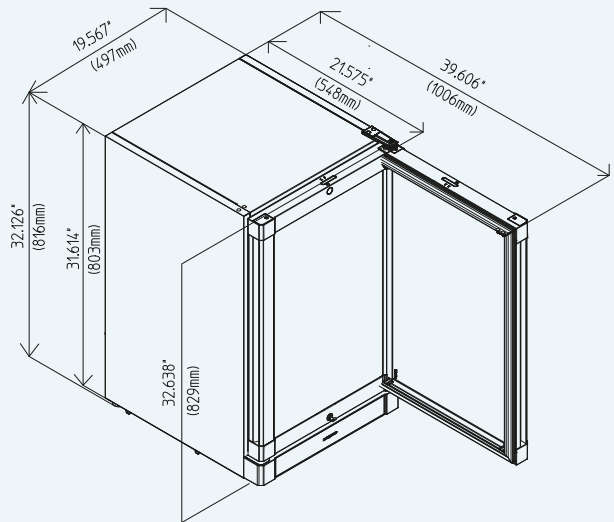
# LIEBHERR

# CounterTop Forced Air Automatic Defrost Freezer



CounterTop Freezer		Fv 913 Premium	
		LED	No Frost
<b>Total gross/net capacity</b> cu.ft. (l)	3.1/2.6 (88/74)		
<b>Exterior dimensions</b> in inches (w/d/h) in mm (w/d/h)	19 5/8"/22"/32 3/16" 497/558/816		
<b>Interior dimensions</b> in inches (w/d/h) in mm (w/d/h)	16 7/16"/15 7/16"/24 1/16" 417/391/611		
Energy consumption in 365 days *	1008 kWh		
Ambient temperature in °F (°C)	50°F to 86°F (10°C to 30°C)		
Refrigerant	R290		
Sound rating **	60 dB(A)		
Connection rating	3.5 A/250 W		
Frequency/voltage	60 Hz/115V~		
Cooling system	forced-air		
Defrost	automatic		
Temperature range in °F (°C)	14°F to -13°F (-10°C to -25°C)		
External cabinet finish	steel/silver		
Door/lid material	glass door		
Internal liner material	steel		
Type of control	electronic control		
Temperature display	external digital		
Alarm	visual and audible		
Interior light	LED light column on right		
Adjustable shelves	4		
Shelf material	wire shelves plastic-coated		
Shelf load weight in lbs (kg)	66.1 (30)		
Usable shelf area in inches (mm)	16 7/16"/12 5/16" (417/312)		
Handle	recessed grip		
Lock	recessed		
Self-closing door	yes		
Door hinges	right, reversible on site		
Insulation in inches (mm)	2 3/8" (60)		
Gross/net weight in lbs (kg)	107.8/102.3 (48.9/46.4)		
<b>Accessories</b>			
Scannerrails	7444051		
Stacking kit left	9875033		
Stacking kit right	9875035		

## Unit Dimensions



\* Measured unloaded at 80°F (26.6°C) ambient temperature with set point of 38°F (3.3°C).  
 \*\* Noise level – sound power re 1pW – according to IEC 60704-2-14.

Subject to modification. For up-to-date information, visit [home.liebherr.com](http://home.liebherr.com).