

EFI 2153



LIEBHERR

Impulse Sales Chest Freezer



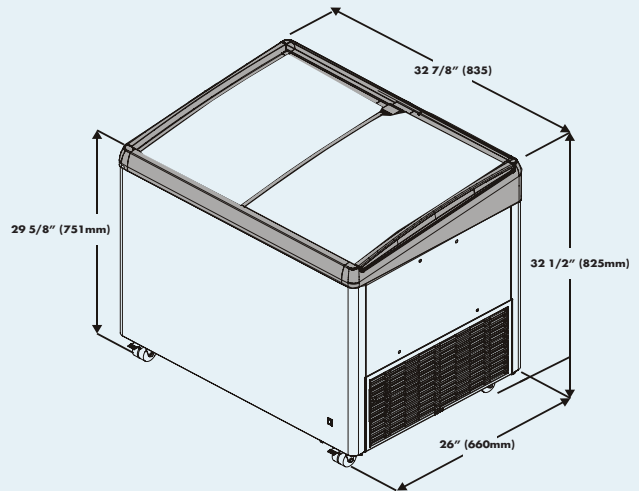
Chest Freezer with Sliding Angle Top

EFI 2153

LED

Total gross/net capacity cu.ft. (l)	7.3 / 5.1 (206 / 145)
Exterior dimensions in inches (w/d/h) in mm (w/d/h)	32 7/8 26 32 1/2 835 / 660 / 825
Interior dimensions in inches (w/d/h) in mm (w/d/h)	28 21 1/8 25 7/8 710 / 535 / 656
Energy consumption in 24 hours	1.412 kWh
Ambient temperature in °F (°C)	+50°F to +86°F (+10°C to 30°C)
Refrigerant	R 290
Sound rating *	42 dB
Connection rating	2.5 A
Frequency/voltage	60Hz / 115 V ~
Cooling system	Static
Defrost	Manual
Temperature range in °F (°C)	+14°F to -11°F (-10°C to -24°C)
External cabinet finish	Steel / White
Door/lid material	Curved glass slide-lid
Internal liner material	Steel
Type of control	Analogue control
Temperature display	Internal analogue
Interior light	LED
Number of baskets, max	3
Castors	Swivel castors
Lock	Upgradable
Insulation in inches (mm)	2 3/8 (60)
Gross/net weight in lbs (kg)	119.5 / 104.7 (54.2 / 47.5)
Accessories	
Basket 10 5/8 in (270 mm)	7111009
Basket 8 1/4 in (210 mm)	7111039
Partition grid 10 5/8 in (270 mm) / High grid	7111031
Partition grid 10 5/8 in (270 mm) / Low grid	7111033
Partition grid 8 1/4 in (210 mm)	7111787
Rubber bumpers, gray	7266707
Cylinder lock for glass sliding lid	7043359

Unit Dimensions



* Noise level – sound power re 1pW – according to IEC 60704-2-14.