

# Your Kitchen's Best Kept Secret

Quality, Design and Innovation



ECBN 6256



# LIEBHERR



**Door-on-door technology:** Allows custom panels to be affixed directly onto the appliance door so that the hinges are concealed, plus the cabinet and the fridge open as one, ensuring a wide range of design options and easy installation.



**IceMaker:** Liebherr's automatic IceMaker produces flawless crescent ice and keeps constant supply on hand for every occasion. An activated charcoal filter ensures pure water for production of clear ice crescents.



**BioFresh:** BioFresh guarantees the perfect temperature and ideal humidity for much longer freshness. While the DrySafe is perfect for meat, fish, and dairy products, the high humidity in the Fruit & Vegetable-Safe can prevent fruit and vegetables from drying out and helps preserve stored goods for an even longer period.

Behold the magnificent **ECBN 6256** built-in french door fridge-freezer. With double freezer drawers and equipped with Liebherr's BioFresh technology and DuoCooling system, this appliance is your answer to style and freshness. Opt for our stainless steel panels and handles and other accessories<sup>1</sup> for that extra touch of elegance!

**ECBN 6256**  
PremiumPlus

Bio Fresh

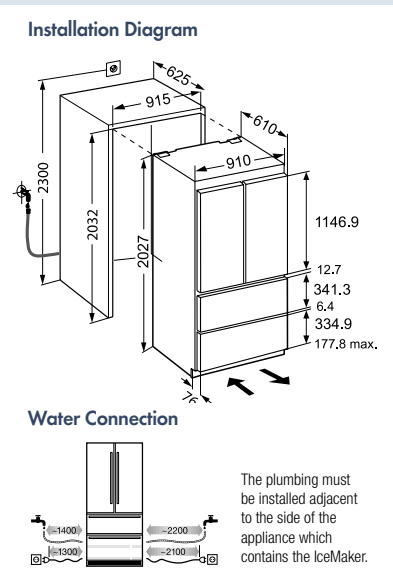
No Frost

Duo Cooling

Ice Maker

Soft System

Sound rating dB(A) *	42
Refrigerator capacity litre	364
BioFresh comp. litre	69
Freezer capacity litre	116
Number of shelves	4
Number of door racks	6
Number of freezer drawers	2
Number of BioFresh drawers	2
Electronic control	LCD display, touch electronic
Door / side walls	Steel
Refrigerator temperature range °C	+3°C to +9°C
Freezer temperature range °C	-14°C to -28°C
Temperature alarm	Visual and audible
Defrost type	Automatic
Interior light	LED
Door alarm	Audible
IceMaker	Fixed water connection 20mm (3/4")
Ice cube output kg/24h	1.3
SoftSystem	Yes
Door hinges	Left, right
Product dimensions (H/W/D) cm	202.7 / 91 / 61
Cut out dimensions (H/W/D) cm	203.2 - 207.2 / 91.5 / min. 62.5
Gross / Net weight kg	173 / 161
Voltage V/Hz	220-240 / 50



\* Noise output - according to EN 60704-3  
<sup>1</sup> Available accessories: Stainless Steel Panel 80" French Door (Part no. 990033700), Stainless Steel Panel 84" French Door (Part no. 990033500), Stainless Steel Panel Freezer Panels (Part no. 990032300), Rounded 3/4" Stainless Steel Handles (Part no. 990033900), Oval Aluminium Handles (Part no. 990051300), Water Filter (Part no. 988122700)

Subject to modification. Current data see home.liebherr.sg