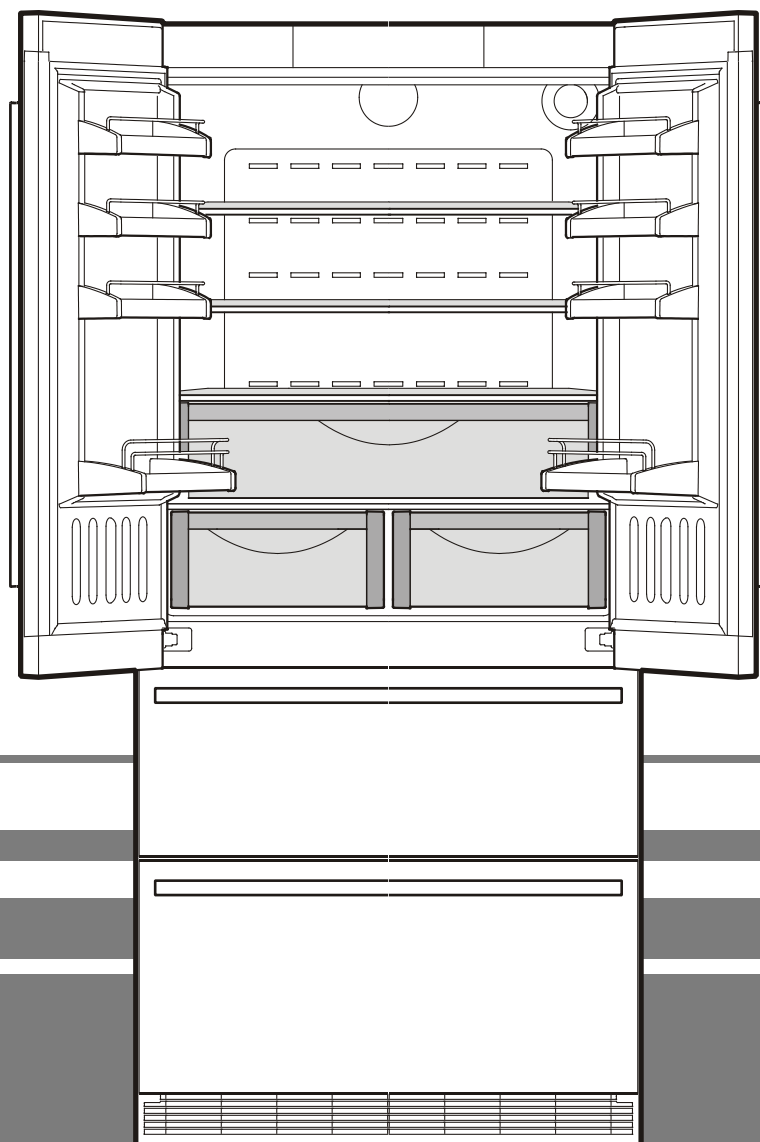


Installation instructions

For built-in NoFrost combined refrigerator-freezers



7081 401-00

CNes 62 608

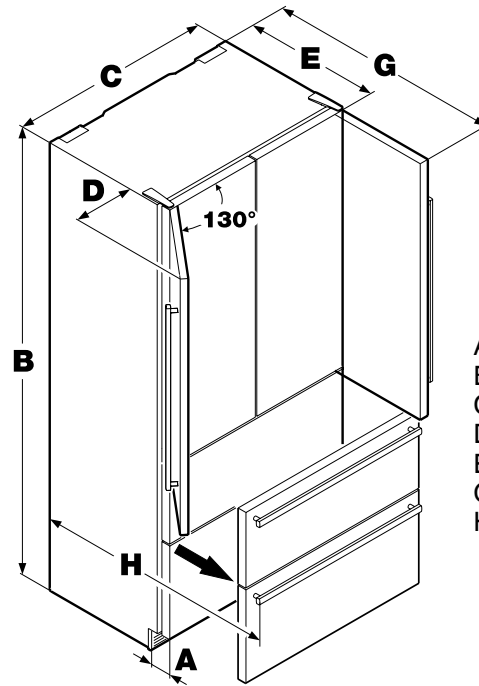
Setting up

- Avoid positioning the appliance in direct sunlight or near cookers, radiators and similar sources of heat.
- The floor on which the appliance stands should be horizontal and level. To compensate for any unevenness, adjust the height of the feet with the open-ended wrench supplied.
- The ventilation grilles should not be obstructed. Always ensure that there is good ventilation and that the outward flowing air is able to escape.
- Do not place heat-emitting appliances, e.g. microwave oven, toaster, etc., on top of the appliance.
- Standard EN 378 specifies that the room in which you install your appliance must have a volume of 1 m³ per 8 g of R 600a refrigerant used in the appliance, so as to avoid the formation of inflammable gas/air mixtures in the room where the appliance is located in the event of a leak in the refrigerant circuit. The quantity of refrigerant used in your appliance is indicated on the type plate on the inside of the appliance.
- Do not connect the appliance to the supply with other equipment using an extension cable - risk of overheating.

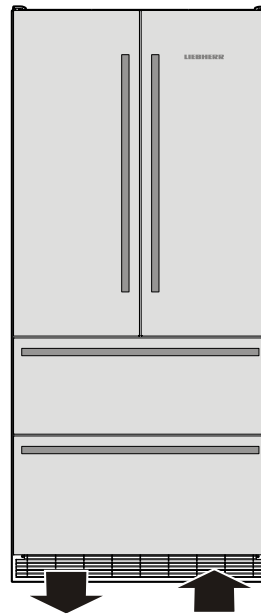
Connecting to the mains

Power supply (AC) and voltage at the operating point must comply with the details on the type plate, which is located on the inside left of the appliance, next to the vegetable bins. The socket must be fused with a 10 A fuse or higher, it must be away from the rear of the appliance and must be easily accessible.

Connect the appliance with a properly earthed fused plug and socket only.

Unit Dimensions

A.	90 mm
B.	2027 mm
C.	910 mm
D.	279 mm
E.	615 mm
G.	1037 mm
H.	1002 mm

Unit Venting

The required airflow is directed through the toe kick area.

It is important to use the provided cover grille for the ventilation opening.

This opening must not be covered.

Mounting the anti tipping device

Caution!

The supplied stabiliser must be installed in all cases.

It prevents the appliance from tipping over when the fully loaded door is opened.

Installation:

1. Mark the center line of the appliance on the wall.
Align the anti tipping bracket center to the center line on the wall.

Important!

Insert a 10 mm thick timber spacer piece between the stabiliser and the wall.

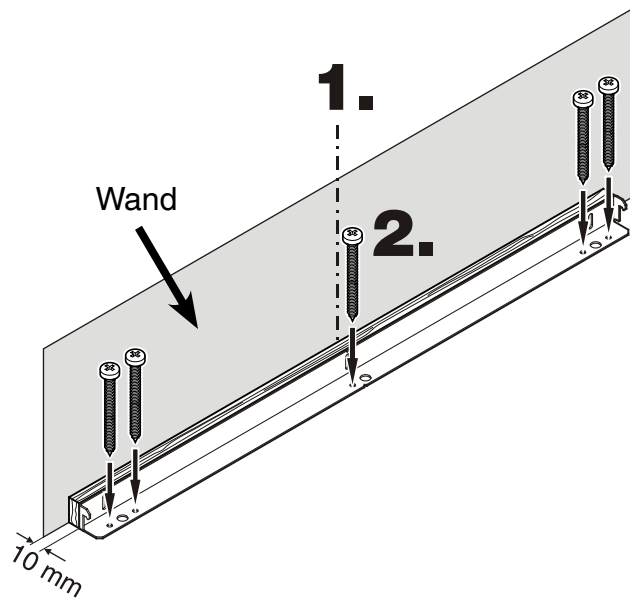
Caution!

Ensure that there are no electrical cables or water pipes in the wall section to which the stabiliser is to be secured.

2. Secure the stabiliser to the floor, using the 5 screws (6 mm x 60 mm) included in the accessory pack.

Important!

When securing the stabiliser to a concrete floor, use suitable plugs!



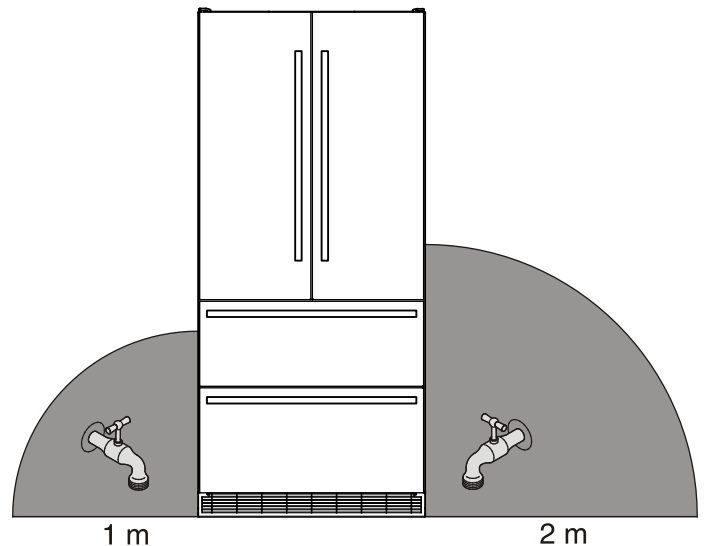
Ice maker

The ice maker is fitted in the freezer compartment of the combined refrigerator-freezer. It must be connected to the **mains water supply** to work.

Safety instructions and warnings

- Do not make the water connection whilst the combined refrigerator-freezer is connected to the electricity supply.
- **The connection to the mains water supply may only be made by a trained plumber.**
- **The water quality must comply with the drinking water directives of the country in which the appliance is used.**
- The ice maker is designed exclusively to make ice cubes in quantities required by a household and may only be operated with water suitable for this purpose.
- All repairs and work on the ice maker may only be carried out by customer service personnel or other trained personnel.
- **The manufacturer cannot accept liability for damage caused by a faulty connection to the mains water supply.**

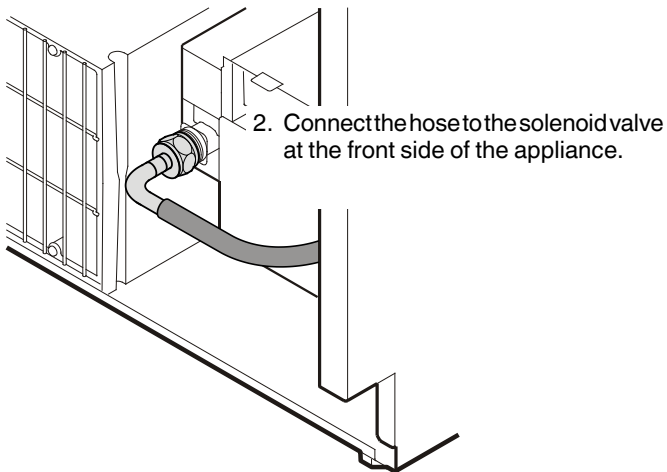
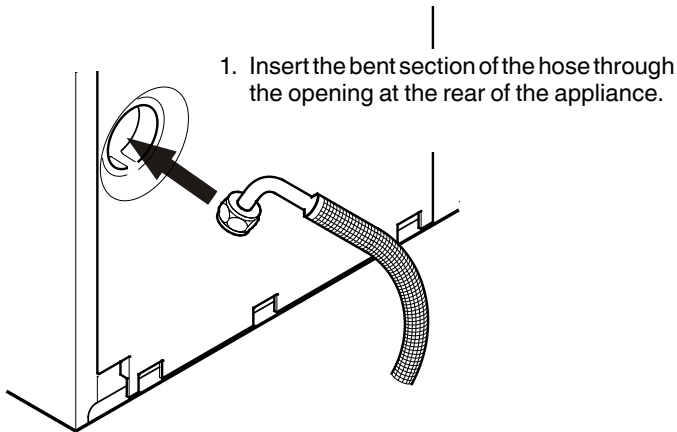
Position of the water connection



The water shut-off valve must be positioned within the area marked in grey.

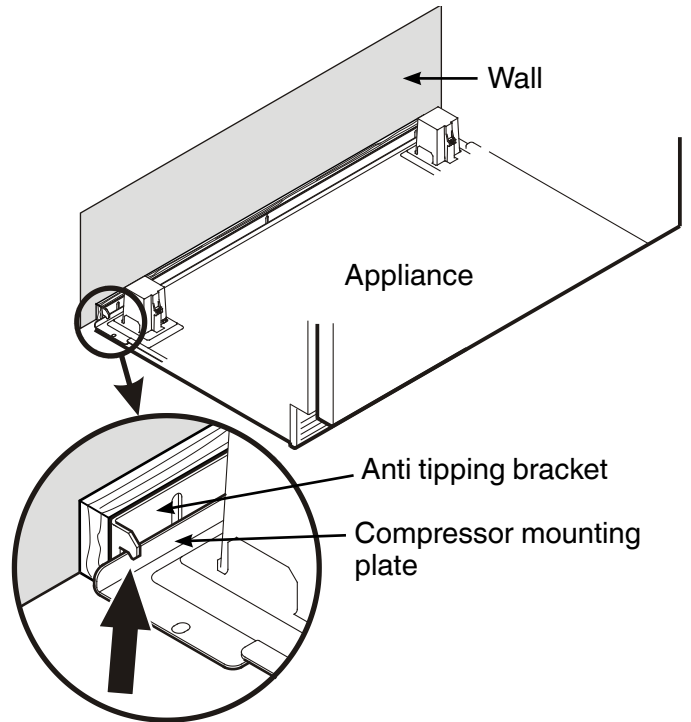
Connection to the water supply

The **water pressure** must be between **0,15 and 0,6 MPa**. The water supply to the appliance must be through a cold water pipe that can withstand the operating pressure and complies with the hygiene regulations. For this, use the stainless steel hose supplied (length 3 m).



3. Push the appliance to the wall until the compressor mounting plate makes contact with the anti tipping bracket.

Caution!
To prevent the appliance from tipping forward the compressor mounting plate must have contact with the anti tipping bracket!



4. Connect the hose to the shut-off tap.
Open the shut-off tap and check the system for leakage.

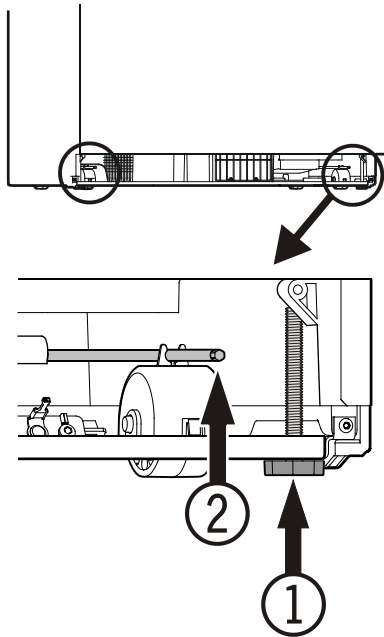
Caution!
Do not connect the appliance to the power supply until the installation is completed.

Leveling the appliance

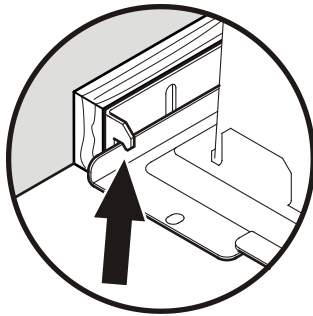
1. The height can be adjusted in front by twisting the leveling feet ① (SW 27).

Caution!

The front levelling feet of the appliance must be firmly placed on the floor.



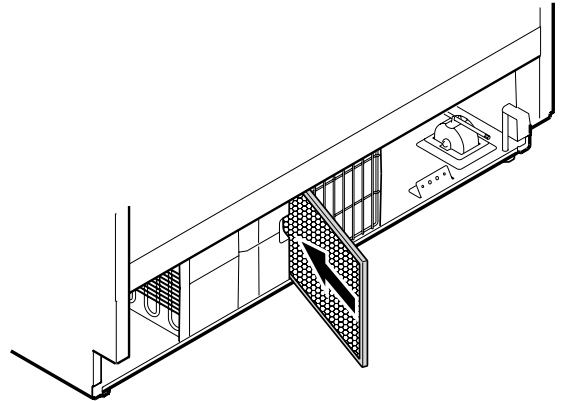
2. Turn the adjusting bars ② (WS 5) clockwise until the compressor plate touches the stabiliser.



Mounting the dust filter

The supplied dust filter prevents that dirt enters the motor chamber, reducing the cooling performance. Therefore always install the dust filter.

1. Pull out the bottom freezer drawer.
2. Remove the protective foil from the dust filter and insert it into the opening provided..



Mounting the ventilation grille

Important!

To ensure trouble-free operation of the appliance, you must install the supplied ventilation grille.

Do not obstruct the ventilation opening or place a hider in front of it!

