

GRB05S1HC

Premium



LIEBHERR

Food Service Undercounter Refrigerator

Undercounter Refrigerator	GRB05S1HC	LED
Stainless Steel	Premium	
Total gross/net capacity cu.ft. (l)	5.0/4.7 (142/133)	
Exterior dimensions in inches (w/d/h)	23 9/16"/24 3/16"/32 5/16"	
in mm (w/d/h)	597/614/820	
Interior dimensions in inches (w/d/h)	17 3/8"/17 7/16"/25 11/16"	
in mm (w/d/h)	441/442/651	
Energy consumption in 365 days *	261 kWh	
Ambient temperature in °F (°C)	61°F to 109°F (16°C to 43°C)	
Refrigerant	R600a	
Sound rating **	52 dB(A)	
Connection rating	1.5 A/50 W	
Frequency/voltage	60 Hz/115V~	
Cooling system	forced-air	
Defrost	automatic	
Temperature range in °F (°C)	34°F to 59°F (1°C to 15°C)	
External cabinet finish	stainless steel	
Door/lid material	stainless steel	
Internal liner material	molded polystyrol (silver)	
Type of control	electronic control	
Temperature display	external digital	
Alarm	visual and audible	
Interior light	LED ceiling light	
Adjustable shelves	3	
Shelf material	wire shelves plastic-coated	
Shelf load weight in lbs (kg)	99.2 (45)	
Usable shelf area in inches (mm)	17 3/8"/16 1/8" (441/409)	
Handle	ergonomic slimline handle	
Lock	recessed	
Self-closing door	yes	
Door hinges	right, reversible on site	
Insulation in inches (mm)	2 3/16" (55)	
Gross/net weight in lbs (kg)	81.6/75 (37/34)	
Accessories		
Wire shelf	7112313	



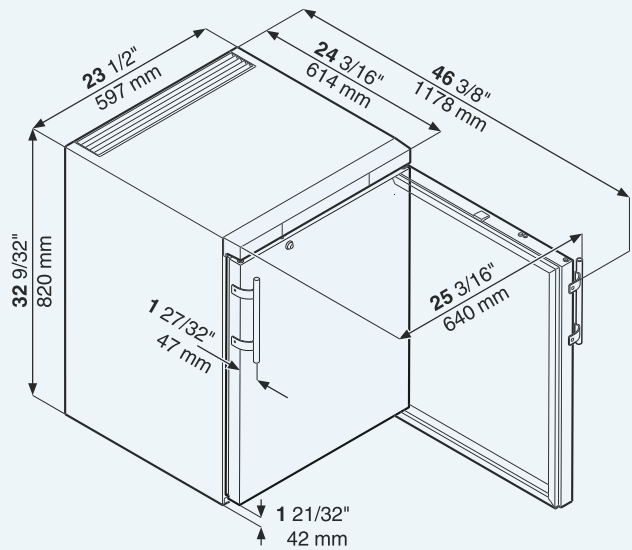
Intertek



Intertek



Unit Dimensions



* Measured unloaded at 80°F (26.6°C) ambient temperature with set point of 38°F (3.3°C).

** Noise level – sound power re 1pW – according to IEC 60704-2-14.

Subject to modification. For up-to-date information, visit home.liebherr.com.