

GRB23S1HC

ProfiLine



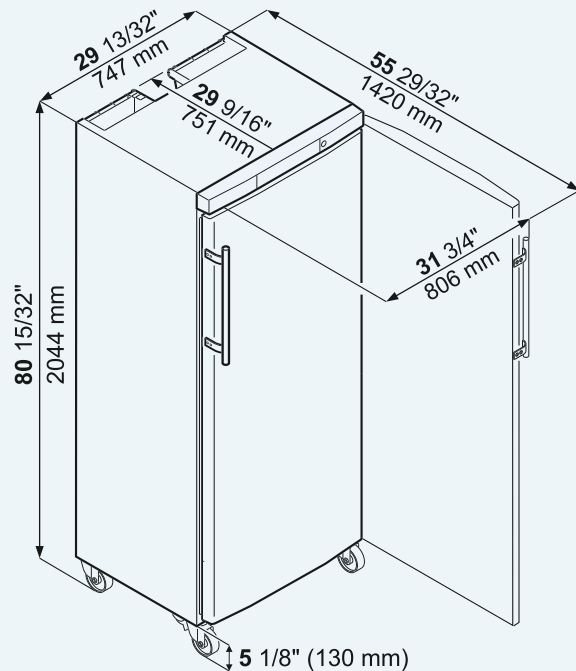
 GERMAN
ENGINEERING

LIEBHERR

Food Service Refrigerator with Bottom Mount Compressor



Unit Dimensions



| Single Door Refrigerator with Bottom Mount Compressor | GRB23S1HC Profiline | LED |
|--|--|-----|
| Total gross/net capacity cu.ft. (l) | 23.3/22.0 (664/627) | |
| Exterior dimensions in inches (w/d/h) in mm (w/d/h) | 29 7/16"/29 5/8"/80 1/2" 747/751/2044 | |
| Interior dimensions in inches (w/d/h) in mm (w/d/h) | 25 5/8"/22 7/8"/67 3/8" 650/581/1710 | |
| Energy consumption in 365 days * | 344 kWh | |
| Ambient temperature in °F (°C) | 50°F to 95°F (10°C to 35°C) | |
| Refrigerant | R290 | |
| Sound rating ** | 55 dB(A) | |
| Connection rating | 3.0 A/100 W | |
| Frequency/voltage | 60 Hz/115V~ | |
| Cooling system | forced-air | |
| Defrost | automatic | |
| Temperature range in °F (°C) | 34°F to 59°F (1°C to 15°C) | |
| External cabinet finish | stainless steel | |
| Door/lid material | stainless steel | |
| Internal liner material | commercial grade molded polystyrol | |
| Type of control | electronic control | |
| Temperature display | external digital | |
| Alarm | visual and audible | |
| Interior light | LED | |
| Adjustable shelves | 6 | |
| Shelf material | clear-coated wire shelves | |
| Shelf load weight in lbs (kg) | 132.3 (60) | |
| Usable shelf area in inches (mm) | 25 5/8"/20 7/8" (650/530) | |
| Casters | casters with brake at the front, fixed casters at the rear | |
| Handle | stainless steel slimline door handle | |
| Lock | recessed | |
| Self-closing door | yes | |
| Door hinges | right, reversible on site | |
| Insulation in inches (mm) | 2" (50) | |
| Gross/net weight in lbs (kg) | 244.7/224.9 (111/102) | |
| Accessories | | |
| Wire shelf | 7112439 | |

* Measured unloaded at 80°F (26.6°C) ambient temperature with set point of 38°F (3.3°C).

** Noise level – sound power re 1pW – according to IEC 60704-2-14.

Subject to modification. For up-to-date information, visit home.liebherr.com.