

# LFBFS05W1HC

---

MediLine



---

 GERMAN  
ENGINEERING

---

# LIEBHERR

# Undercounter Laboratory Freezer Suitable for Flammable Material Storage

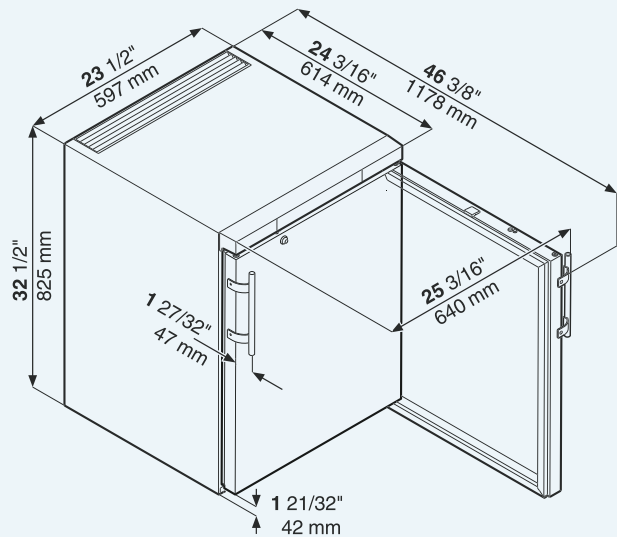
## Undercounter Laboratory freezer, suitable for flammable material storage

## LFBFS05W1HC MediLine

Smart Frost



## Unit Dimensions



Interior is free from sources of ignition and meets the requirements for Class I, Division 2 for storage of flammable substances in closed containers. Product complies with the applicable requirements of NFPA 45 and NFPA 99.

<b>Total gross/net capacity</b> l (cu.ft.)	140/123 (4.9/4.4)
<b>Exterior dimensions</b> in mm (w/d/h) in inches (w/d/h)	597/614/821 23 9/16"/24 3/16"/32 3/8"
<b>Interior dimensions</b> in mm (w/d/h) in inches (w/d/h)	454/450/663 17 7/8"/17 3/4"/26 1/8"
Energy consumption in 365 days *	332 kWh
Ambient temperature in °C (°F)	10°C to 35°C (50°F to 95°F)
Refrigerant	R600a
Sound rating **	45 dB(A)
Connection rating	2.5 A
Frequency/voltage	60 Hz/115V~
Cooling system	static
Defrost	manual
Temperature range in °C (°F)	-9°C to -26°C (16°F to -15°F)
External cabinet finish	steel/white
Door/lid material	steel
Internal liner material	commercial grade molded polystyrol
Type of control	electronic control
Temperature display	external digital
Alarm	visual and audible
Alarm forwarding	yes
Interior light	n/a
Drawers/Number of baskets	3/1
Shelf material	evaporator plates
Shelf load weight in kg (lbs)	24 (53)
Usable shelf area in mm (inches)	454/450 (17 7/8"/17 3/4")
Handle	ergonomic slimline handle
Lock	recessed
Self-closing door	yes
Door hinges	right, reversible on site
Insulation in mm (inches)	55 (2 3/16")
Gross/net weight in kg (lbs)	45/43 (99.2/94.8)
<b>Accessories</b>	
NTC product temperature sensor	9590145
Additional lock barrels (up to 10)	on request

\* Measured unloaded at 26.6°C (80°F) ambient temperature with set point of -17.7°C (0°F).

\*\* Noise level – sound power re 1pW – according to IEC 60704-2-14.

Subject to alterations.