

LFB19W1HC

MediLine



 GERMAN
ENGINEERING

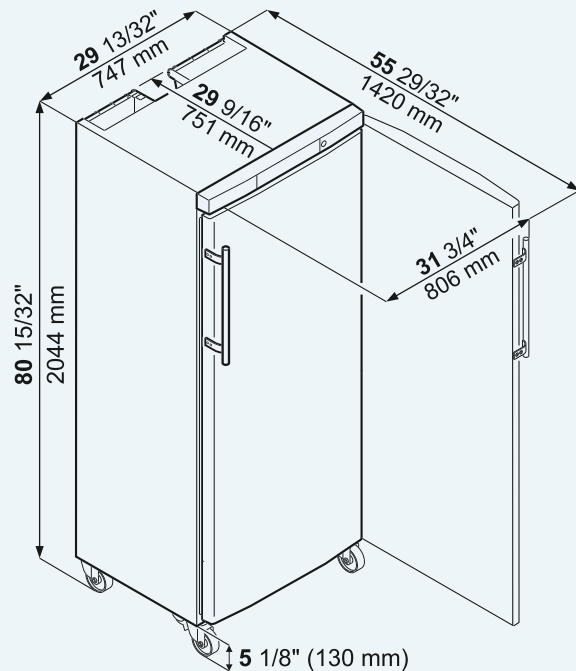
LIEBHERR

Laboratory Freezer with Bottom Mount Compressor and Electronic Controls



Laboratory freezer with electronic controls	LFB19W1HC MediLine	No Frost
Total gross/net capacity l (cu.ft.)	556/475 (19.5/16.7)	
Exterior dimensions in mm (w/d/h) in inches (w/d/h)	747/751/2044 29 7/16"/29 5/8"/80 1/2"	
Interior dimensions in mm (w/d/h) in inches (w/d/h)	610/500/1395 24 1/16"/19 11/16"/54 15/16"	
Energy consumption in 365 days *	1171 kWh	
Ambient temperature in °C (°F)	16°C to 35°C (61°F to 95°F)	
Refrigerant	R290	
Sound rating **	62 dB(A)	
Connection rating	5.0 A	
Frequency/voltage	60 Hz/115V~	
Cooling system/Defrost	forced-air/automatic	
Temperature range in °C (°F)	-10°C to -32°C (14°F to -26°F)	
External cabinet finish	steel/white	
Door/lid material	steel	
Internal liner material	commercial grade molded polystyrol	
Type of control	electronic control	
Temperature display	external digital	
Alarm	visual and audible	
Alarm forwarding	yes	
Interior light	n/a	
Adjustable shelves	5	
Shelf material	wire shelves plastic-coated	
Shelf load weight in kg (lbs)	60 (132.3)	
Usable shelf area in mm (inches)	610/500 (24 1/16"/19 11/16")	
Casters	casters with brake at the front, fixed casters at the rear	
Handle	ergonomic slimline handle	
Lock	recessed	
Self-closing door	yes	
Door hinges	right, reversible on site	
Insulation in mm (inches)	70 (2 13/16")	
Gross/net weight in kg (lbs)	126/117 (277.8/257.9)	
Accessories		
Shelf, plastic-coated	7113475	
NTC product temperature sensor	9591493	

Unit Dimensions



Subject to alterations.

* Measured unloaded at 26.6°C (80°F) ambient temperature with set point of -17.7°C (0°F).

** Noise level – sound power re 1pW – according to IEC 60704-2-14.