

LRB05G1HC

MediLine



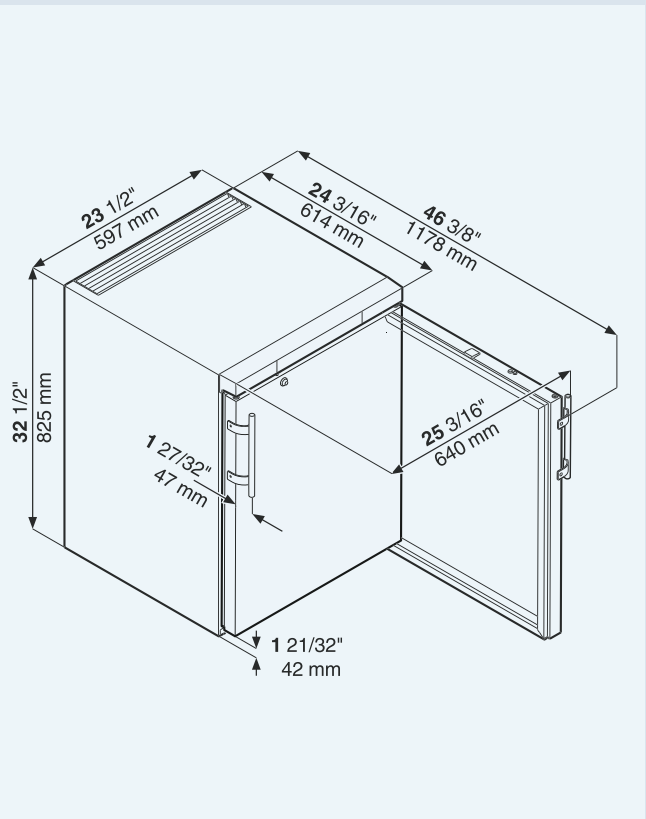
 GERMAN
ENGINEERING

LIEBHERR

Undercounter Laboratory Refrigerator with Electronic Controls, Glass-Door



Unit Dimensions



Undercounter Laboratory refrigerator with Glass-Door	LRB05G1HC MediLine	LED
Total gross/net capacity l (cu.ft.)	152/143 (5.4/5.1)	
Exterior dimensions in mm (w/d/h)	597/614/825	
in inches (w/d/h)	23 9/16"/24 3/16"/32 1/2"	
Interior dimensions in mm (w/d/h)	440/435/670	
in inches (w/d/h)	17 3/8"/17 3/16"/26 7/16"	
Energy consumption in 365 days *	328 kWh	
Ambient temperature in °C (°F)	10°C to 35°C (50°F to 95°F)	
Refrigerant	R600a	
Sound rating **	52 dB(A)	
Connection rating	1.5 A	
Frequency/voltage	60 Hz/115V~	
Cooling system	forced-air	
Defrost	automatic	
Temperature range in °C (°F)	3°C to 16°C (37°F to 61°F)	
External cabinet finish	steel/white	
Door/lid material	glass door	
Internal liner material	commercial grade molded polystyrol	
Type of control	electronic control	
Temperature display	external digital	
Alarm	visual and audible	
Alarm forwarding	yes	
Interior light	LED ceiling light	
Adjustable shelves	3	
Shelf material	wire shelves plastic-coated	
Shelf load weight in kg (lbs)	45 (99.2)	
Usable shelf area in mm (inches)	440/420 (17 3/8"/16 9/16")	
Handle	ergonomic slimline handle	
Lock	recessed	
Self-closing door	yes	
Door hinges	right, reversible on site	
Insulation in mm (inches)	40 (1 5/8")	
Gross/net weight in kg (lbs)	44/41 (97/90.4)	
Accessories		
Shelf, plastic-coated	7112313	
Additional lock barrels (up to 10)	on request	

* Measured unloaded at 26.6°C (80°F) ambient temperature with set point of 3.3°C (38°F).

** Noise level – sound power re 1pW – according to IEC 60704-2-14.

Subject to alterations.