

Classic & Sleek,
Fits Anywhere

Quality, Design and Innovation



WKes 653



LIEBHERR



Touch electronic control system: The perfect wine storage temperature is +8°C to +12°C. White wine should ideally be stored below +10°C and red wine at up to +18°C. Our electronic control system allows temperature to be set to the exact degree required between +5°C to +20°C.



LED lighting: For ideal presentation of your best wine, the WKes 653 features LED lighting with dimmer function and separate switch. As LED lights emit minimal heat and no UV radiation, wine can be showcased bathed in light for lengthy periods without compromising its quality.



Wall-mount option: The WKes 653 wine cabinet can be wall-mounted as an attractive eye-catcher with convenient access for serving!

Note: Whilst every effort is made to ensure all specifications and information in this flyer are accurate, Liebherr reserves the right to make changes without notification. Where actual appliance measurements, specifications, and ratings are crucial, we recommend that the actual appliance installation instructions that accompany each appliance be checked. Liebherr will not be liable for any loss.

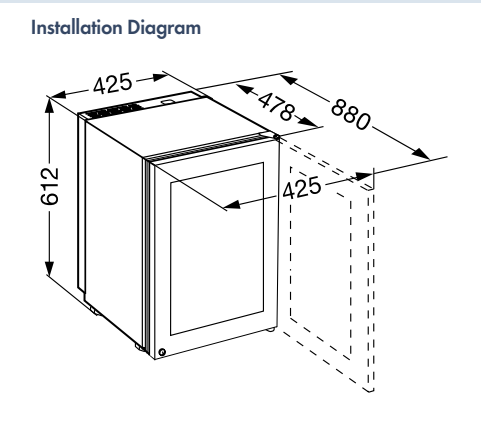
When it comes to savouring wine, the key is serving it at the ideal temperature. Storing wine at temperatures that are too high or too low impairs its flavour. The **WKes 653** wine cabinet has a compact footprint, measuring just 61cm by 42cm, yet it can store up to 12 Bordeaux bottles at perfect drinking temperature. Its elegant SmartSteel surface, coupled with LED lighting and a dimmer function, ensures that your finest collection is always presented in the best light.

With the option to wall-mount or position on any table top, the **WKes 653** provides a focal point in any environment. The most coveted wines in your collection will always be in sight and ready for your enjoyment.

WKes 653
GrandCru

- LED
- Wine
- Smart Steel

Sound rating dB(A) *	40
Total capacity litre	38
Max No. of Bordeaux bottles (0.75l) **	12
Number of shelves	3
Shelves on telescopic rails	0
Shelf material	Beech wood shelves
Presentation shelf	0
Electronic control	LCD display, touch electronic
Temperature range °C	+5°C to +20°C
Temperature zones	1
Temperature alarm	Visual and audible
Interior light	LED
Door alarm	Audible
Safety thermostat	No
Activated charcoal filter	Yes
Door type	Glazed door in stainless steel frame with SmartSteel
Integrated lock	Yes
SoftSystem	No
Door hinges	Right
Product dimensions (H/W/D) cm	61.2 / 42.5 / 47.8
Gross / Net weight kg	33 / 29
Voltage V/Hz	220-240 / 50



* Noise output - according to EN 60704-3
 ** These models are only bound for storing wine. Max. DIN norm bordeaux bottle capacity (0.75 l) as per norm NF H 35-124 (H:300.5 mm, Ø 76.1mm)