

Savour the Difference
with a Liebherr

Quality, Design and Innovation



UWKes 1752

LIEBHERR



Electronic LCD Display: Intuitive navigation of the buttons-controlled control system enables tailored storage options. The digital temperature display can be viewed via the UV tinted glass door.



Wooden shelves: Liebherr's natural untreated beechwood shelves are ideal for storing Bordeaux bottles. Store bottles in opposite directions to make full use of the capacity.



LED lighting: The light in the cooling compartments can be dimmed to give a pleasing ambient light inside the appliance.

For wine collectors, temperature, humidity, vibration, and light are the most important elements of wine storage. Liebherr's **UWKes 1752** wine storage cabinet is ideal for storing wines for long periods of time, allowing them to mature to perfection.

This model ventilates through the toe kick, hence no counterslot is necessary, and can be integrated easily and elegantly under your customised kitchen countertop. It also boasts a digital temperature display with visibility through elegant glass doors. An activated charcoal filter¹ protects stored wines against odour; best changed once every 12 months.

UWKes 1752

GrandCru

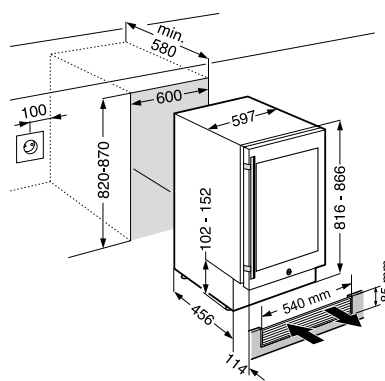
LED

Wine

Telescopic Rails

Sound rating dB(A) *	38
Total capacity litre	112
Max No. of Bordeaux bottles (0.75l) **	46
Number of shelves	4
Shelves on telescopic rails	3
Shelf material	Beech wood shelves
Presentation shelf	0
Electronic control	LCD display, buttons
Temperature range °C	+5°C to +20°C
Temperature zones	1
Temperature alarm	Visual and audible
Interior light	LED
Door alarm	Audible
Safety thermostat	Yes
Activated charcoal filter	Yes
Door type	Tinted glazed door
Integrated lock	Yes
SoftSystem	No
Door hinges	Right, reversible
Product dimensions (H/W/D) cm	81.8 / 59.7 / 57.7
Cut out dimensions (H/W/D) cm	82 - 87 / 60 / min. 58
Gross / Net weight kg	52 / 44
Voltage V/Hz	220-240 / 50

Installation Diagram



Activated charcoal filter
Part No.: 988128900

* Noise output - according to EN 60704-3

** These models are only bound for storing wine. Max. DIN norm bordeaux bottle capacity (0.75 l) as per norm NF H 35-124 (H:300.5 mm, Ø 76.1mm)

¹ Available accessory: Activated Charcoal Filter (Part no. 988128900)

Note: Whilst every effort is made to ensure all specifications and information in this flyer are accurate, Liebherr reserves the right to make changes without notification. Where actual appliance measurements, specifications, and ratings are crucial, we recommend that the actual appliance installation instructions that accompany each appliance be checked. Liebherr will not be liable for any loss.