

# Practicality And Elegance For Your Kitchen

Quality, Design and Innovation



CNPef 4516



# LIEBHERR



**VarioSpace:** Nearly all freezers include drawers and glass shelves that can be conveniently removed to create extra storage space. It's Liebherr's very practical solution to quickly accommodate even bulky items.



**Touch control system:** Our intuitive electronic touch control panel (found on most models) ensures all functions are easy and convenient to use as well as guarantees that the settings selected remain accurate and constant.



**SmartSteel:** With SmartSteel used on the appliance door the visibility of fingerprints is reduced, making it very easy to clean. Maintain this beautiful door exterior simply with a wipe of a clean, dry or damp cloth.

The compact **CNPef 4516** bottom-mount freezer is the perfect choice for small footprint installations like galley kitchens or studio apartments. This model includes smart interior design features like a beverage rack, foldable glass shelf, and a stainless back wall which prevents ice build-up. The SmartSteel door is scratch resistant and easy to clean – one wipe of a cloth is all it takes to keep the door surface looking good as new.

For larger households, double the storage capacity by installing two **CNPef 4516** fridge-freezers together using our connection kit<sup>2</sup> to form a side-by-side combination.

**CNPef 4516**

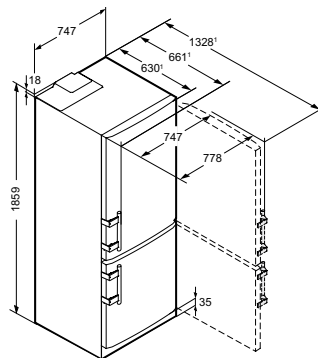
Comfort

- No Frost
- Duo Cooling
- Smart Steel



Sound rating dB(A) *	42
Refrigerator capacity litre	331
Freezer capacity litre	82
Fruits and vegetable bins	2
Number of shelves	5
Number of door racks	4
Number of freezer drawers	2
Electronic control	LCD display, touch electronic
Door / side walls	Stainless steel with SmartSteel / Silver
Refrigerator temperature range °C	+2°C to +7°C
Freezer temperature range °C	-14°C to -27°C
Temperature alarm	Visual and audible
Defrost type	Automatic
Interior light	LED
Door alarm	Audible
SoftSystem	No
Door hinges	Right, reversible
Product dimensions (H/W/D) cm	186 / 75 / 63
Gross / Net weight kg	105 / 95
Voltage V/Hz	220-240 / 50

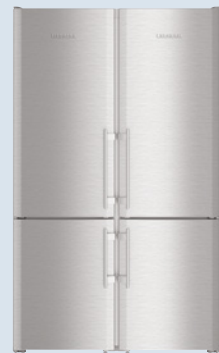
**Installation Diagram**



<sup>1</sup> To achieve the indicated energy consumption level, the wall spacers provided with the appliance must be used. This increases the appliance depth by approximately 1.5 cm. If the wall spacers are not used, the appliance will remain fully functional, but will have a slightly higher energy consumption level.

\* Noise output - according to EN 60704-3

<sup>2</sup> Available accessory: Connection Kit (Part no. 990155500)



Connection Kit for Side-by-Side Combination  
Part no.: 990155500

*Note: Whilst every effort is made to ensure all specifications and information in this flyer are accurate, Liebherr reserves the right to make changes without notification. Where actual appliance measurements, specifications, and ratings are crucial, we recommend that the actual appliance installation instructions that accompany each appliance be checked. Liebherr will not be liable for any loss.*