

# SIFNh 5128

Integrated freezer with NoFrost

◇ Plus



**G** Made  
in Germany

# LIEBHERR

Fully Integrated

**LIEBHERR**

# SIFNh 5128

Integrated freezer with NoFrost

◇ Plus

**G** Made  
in Germany

No  
Frost

Touch-  
Display

Soft  
System

Vario  
Space

Super  
Silent

↑  
**178**  
↓



Type	Fixed door / Built-in appliance for integrated use
Energy consump. in 365 days/24 h	215.350 / 0.590 kWh
Total volume	216 l <sup>1</sup>
Noise output	35 dB(A)
Climate rating	SN,N,ST,T
Aperture dimensions in cm (h / w / d)	177.2-178.8 / 56-57 / min. 55
<b>Controls</b>	
Type of Control	LC monochrome display, touch electronic Digital temperature display
Door alarm	visual and acoustic
Alarm in case of malfunction	visual and acoustic
<b>Freezer compartment</b>	
Number of drawers	8 drawers on integrated drawer guide, VarioSpace
Freezing capacity in 24 hours	10 kg
Temperature rise time	9 h
VarioSpace	yes
Ice cube tray	1
<b>Features</b>	
Side-by-Side concept	Side-panel heating on both sides, suitable for combination with other fridges, freezers and/or wine appliances
Door hinges	Reversible door hinge, left
Replaceable door seal	yes
EAN-Nr.	4016803115618

<sup>1</sup> In accordance with Regulation EU 2019/2016 we indicate the total volume to the nearest integer (rounded off) and the volume of the frozen compartments and refrigeration compartments to one place after the decimal point.

## Features

---



### NoFrost

When you open your freezer, you want to see frozen food – and certainly not ice and frost. NoFrost protects the freezer compartment from unwanted icing, which consumes a lot of energy and can be expensive. NoFrost means no more tedious and time-consuming defrosting of the freezer compartment, more time for other things – and saving money.



### Touch display

Fingertip control: the touch display enables easy and intuitive operation of your Liebherr. All functions are clearly arranged on the display. By gently tapping a finger, for example, you can easily select the functions or check the current temperature of your refrigerator.



### SoftSystem

From breakfast to a midnight snack – a fridge needs to be open and closed on many occasions. And your Liebherr makes this a lot of fun. With the SoftSystem, your fridge door closes softly and safely, and in a way which is pleasantly quiet and light. Bottles stored in the inside door remain securely in place – nothing rattles or wobbles.



### VarioSpace

Looking for somewhere to safely store a multi-tiered ice cream cake until the summer party? No problem for your Liebherr freezer: it knows that sometimes you just need more space. Thanks to VarioSpace, you can simply remove individual freezer drawers – and voilà: here's your extra-high storage space!



### SuperSilent

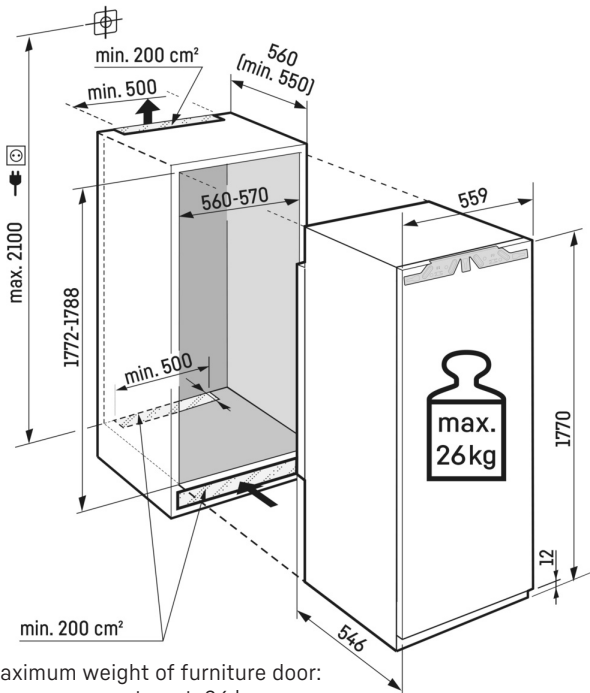
Shhh – listen carefully. Your Liebherr is so quiet that you have to strain your ears to hear it. How is this achieved? All refrigeration components such as compressors, valves, fans and evaporators are optimised and perfectly adapted to one another. This means you only hear what you want to hear in your kitchen.



### Integrated drawer slides

When the freezer drawers are opened and loaded, the integrated drawer slides give you convenient access to your food at all times. The pull-out stop prevents drawers from falling out when opened. On closing, the drawers slide into their final position with ease which ensures ideal air distribution in front of the drawers and therefore the best possible cooling.

# Technical drawing



Maximum weight of furniture door:  
Freezer compartment: 26 kg

Products and their details are staged for advertising purposes. Whilst every effort is made to ensure all specifications and information in this flyer are accurate, Liebherr reserves the right to make changes without notification. Where actual appliance measurements, specifications, and ratings are crucial, we recommend that the actual appliance installation instructions that accompany each appliance be checked. (29.05.2024)

