

# SKBes 4350

Refrigerator with BioFresh  
Premium



**G** Made  
in Germany

# LIEBHERR

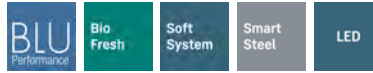
Freestanding

**LIEBHERR**

# SKBes 4350

Refrigerator with BioFresh  
Premium

**G** Made  
in Germany



← 60 →



Energy consump. in 365 days/24 h	194 / 0.531 kWh <sup>1</sup>
Frequency / voltage	50/60 Hz / 220-240 V-
Connection Rating	1.2 A
Door / Side walls	SmartSteel / SmartSteel
Exterior dimensions in cm (h / w / d)	185 / 60 / 66.5 <sup>1</sup>

### Controls

Type of Control	2.4" TFT-colour display behind-the-door, touch electronic
Interface	SmartDeviceBox: optional accessory
Door alarm	visual and acoustic
Alarm in case of malfunction	visual and acoustic

### Fridge compartment

Forced air system	PowerCooling with FreshAir activated charcoal filter
Door interior	Premium GlassLine storage shelf with bottle holder, VarioBoxes, adjustable egg tray, butter dish
VarioSafe	yes
Bottle shelf	Variable bottle shelf
Interior light	LED ceiling lighting with dimmer function LED BioFresh lighting LED rear wall lighting
BioFresh-Safes	3 BioFresh-Safes with SoftTelescopic, of which 2 variably adjustable from Fruit & Vegetable-Safe to DrySafe

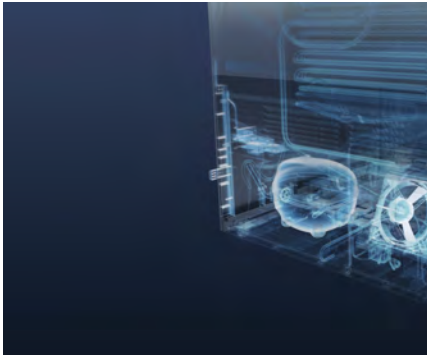
### Features

Side-by-Side concept	Side wall heating left, suitable for combination with other refrigerators, freezers and/or wine appliances
Door hinges	Reversible door hinging
EAN-Nr.	4016803051497

<sup>1</sup> To achieve the indicated energy consumption level, the wall spacers provided with the appliance must be used. These increase the appliance depth by approximately 1.5 cm. If the wall spacers are not used, the appliance will remain fully functional, but will have a slightly higher energy consumption level.

## Features

---



### BluPerformance

Offering even more interior capacity for food storage, economy and energy efficiency, quiet operation, ease-of-use and exceptional design: Liebherr's BluPerformance appliances set both a new direction in refrigeration and freezing, and new benchmarks.



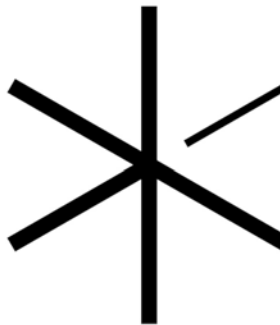
### BioFresh

In the BioFresh compartments food retains its healthy vitamins, aroma and appetising appearance significantly longer than in a conventional fridge. Through its advanced technology the temperature is accurately kept at just above 0 °C.



### Versatile bottle shelf

The versatile bottle shelf is an innovative feature in all BioFresh Premium models. It can be positioned above or below the glass shelf to suite individual requirements.



### SuperCool

SuperCool generates greater cold reserves so that freshly stored food can be rapidly chilled. Reversion from the chilling temperature of +2 °C to the normal refrigeration temperature is time or quantity-controlled to help save energy.



### Softsystem

The integrated SoftSystem mechanism cushions door closure even when the door shelves are fully stocked; it ensures gentle closing and prevents bottles, jars and packets or food from falling out of the door.

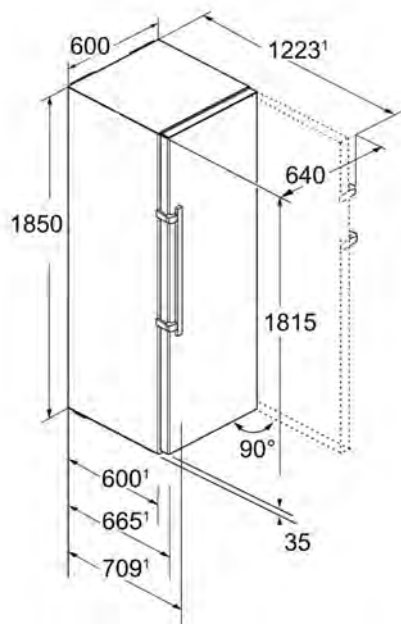


### SmartSteel

SmartSteel significantly reduces the visibility of fingerprints. The high-quality stainless steel finish makes SmartSteel surfaces particularly easy-to-clean and far more scratch-resistant.

# Technical drawing

---



---

Products and their details are staged for advertising purposes. Whilst every effort is made to ensure all specifications and information in this flyer are accurate, Liebherr reserves the right to make changes without notification. Where actual appliance measurements, specifications, and ratings are crucial, we recommend that the actual appliance installation instructions that accompany each appliance be checked. Liebherr will not be liable for any damage. (01.12.2022)

