

# IRBh 5120

Integrated refrigerator with BioFresh

◇ Plus



# LIEBHERR

Fully Integrated

**LIEBHERR**

## IRBh 5120

Integrated refrigerator with BioFresh

◇ Plus

**G** Made  
in Germany

Bio  
Fresh

Touch-  
Display

Soft  
System

Super  
Silent

↑  
**178**  
↓



Type	Fixed door / Built-in appliance for integrated use
Energy consump. in 365 days/24 h	120.450 / 0.330 kWh
Total volume	293 l <sup>1</sup>
Volume	Fridge: 194 l / BioFresh compartment: 99 l
Noise output	32 dB(A)
Climate rating	SN,N,ST,T
Aperture dimensions in cm (h / w / d)	177.2-178.8 / 56-57 / min. 55
<b>Controls</b>	
Type of Control	LC monochrome display, touch electronic Digital temperature display for fridge compartment
Door alarm	visual and acoustic
<b>Fridge compartment</b>	
Forced air system	PowerCooling with FreshAir activated charcoal filter
Door interior	Plastic door shelves with bottle holder, egg tray
Bottle shelf	Integrated bottle shelf
Interior light	LED ceiling lighting
<b>Features</b>	
Door hinges	Reversible door hinging, right
Replaceable door seal	yes
EAN-Nr.	4016803113690

<sup>1</sup> In accordance with Regulation EU 2019/2016 we indicate the total volume to the nearest integer (rounded off) and the volume of the frozen compartments and refrigeration compartments to one place after the decimal point.

## Features

---



### Meat & Dairy safe

Do you want the tender veal fillet or fresh milk to stay fresh for as long as possible? The BioFresh safes will ensure this is the case. In the Meat & Dairy Safe, the temperature is close to 0 °C – ideal storage conditions for even the most delicate of foods. And best of all, everything is perfectly adjusted in the factory for immediate use – and for longer freshness.



### Touch display

Fingertip control: the touch display enables easy and intuitive operation of your Liebherr. All functions are clearly arranged on the display. By gently tapping a finger, for example, you can easily select the functions or check the current temperature of your refrigerator.



### SoftSystem

From breakfast to a midnight snack – a fridge needs to be open and closed on many occasions. And your Liebherr makes this a lot of fun. With the SoftSystem, your fridge door closes softly and safely, and in a way which is pleasantly quiet and light. Bottles stored in the inside door remain securely in place – nothing rattles or wobbles.



### Space for baking tray

Do you want to keep that home-baked fruit pie fresh? Or maybe a prepared pizza to be baked later on? If so, simply slide your baking tray into your Liebherr -- it has plenty of space for storing a baking tray. Really convenient – you can slide the baking tray in and out when the door is opened at 90°.



### PowerCooling system

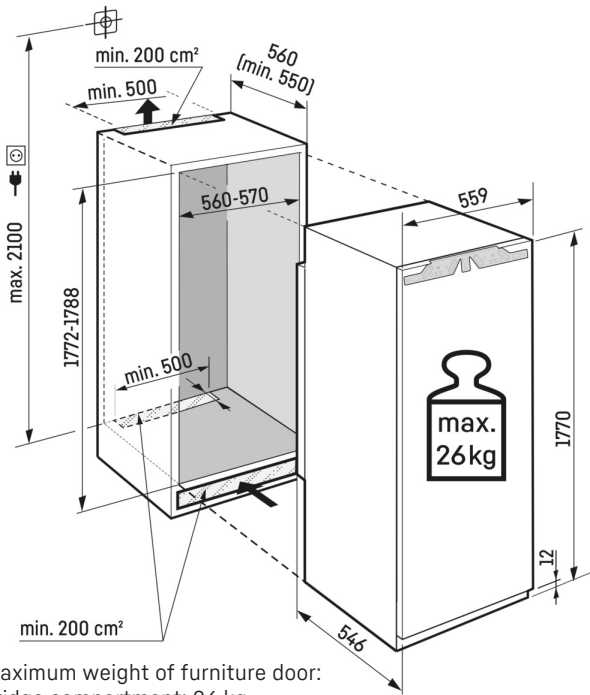
Do you want to be sure that the cold is distributed as evenly as possible in your refrigerator? If so, the PowerCooling system is what you need. The fan – as powerful as it is quiet – distributes the cold air efficiently throughout the entire refrigeration compartment.



### SuperSilent

Shhh – listen carefully. Your Liebherr is so quiet that you have to strain your ears to hear it. How is this achieved? All refrigeration components such as compressors, valves, fans and evaporators are optimised and perfectly adapted to one another. This means you only hear what you want to hear in your kitchen.

# Technical drawing



Maximum weight of furniture door:  
Fridge compartment: 26 kg

Products and their details are staged for advertising purposes. Whilst every effort is made to ensure all specifications and information in this flyer are accurate, Liebherr reserves the right to make changes without notification. Where actual appliance measurements, specifications, and ratings are crucial, we recommend that the actual appliance installation instructions that accompany each appliance be checked. (29.05.2024)

