

---

# CBNef 5735

---

Fridge-freezer with BioFresh and  
NoFrost  
Comfort

# LIEBHERR

Freestanding



Freestanding

**LIEBHERR**

# CBNef 5735

Fridge-freezer with BioFresh and NoFrost Comfort

**G** Made in Germany



← 70 →



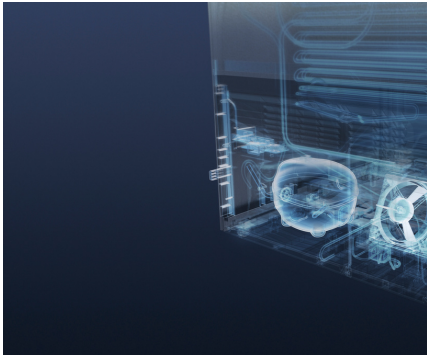
Energy consump. in 365 days/24 h	<b>204.400 / 0.560 kWh<sup>1</sup></b>
Total volume	<b>397 l<sup>2</sup></b>
Volume	Fridge: <b>169 l</b> / BioFresh compartment: <b>112 l</b> / Freezer compartment: <b>116 l</b>
Noise output	<b>36 dB(A)</b>
Climate rating	<b>SN-T (+10 °C to +43 °C)</b>
Frequency / voltage	<b>50/60 Hz / 220-240 V~</b>
Connection Rating	<b>1.4 A 190 W</b>
Door / Side walls	<b>SmartSteel / silver</b>
Exterior dimensions in cm (h / w / d)	<b>201 / 70 / 66.5<sup>3</sup></b>
<b>Controls</b>	
Type of Control	2.4" TFT-monochrome display behind-the-door, touch electronic Digital temperature display for fridge, BioFresh and freezer compartments
Door alarm	visual and acoustic
Alarm in case of malfunction	visual and acoustic
<b>Fridge compartment</b>	
Forced air system	PowerCooling with FreshAir activated charcoal filter
Door interior	Comfort GlassLine storage shelf with bottle holder, Egg tray
Bottle shelf	Integrated bottle shelf
Interior light	LED ceiling lighting
BioFresh-Safes	2 BioFresh-Safes on telescopic rails, of which 1 variably adjustable from Fruit & Vegetable-Safe to DrySafe
<b>Freezer compartment</b>	
Star coding	<b>****</b>
Number of drawers	<b>3 drawers, VarioSpace</b>
Freezing capacity in 24 hours	<b>9 kg</b>
Temperature rise time	<b>16 h</b>
<b>Features</b>	
Door hinges	Reversible door hinging
EAN-Nr.	<b>4016803092346</b>

<sup>1</sup> To achieve the indicated energy consumption level, the wall spacers provided with the appliance must be used. These increase the appliance depth by approximately 1.5 cm. If the wall spacers are not used, the appliance will remain fully functional, but will have a slightly higher energy consumption level.

<sup>2</sup> In accordance with Regulation EU 2019/2016 we indicate the total volume to the nearest integer (rounded off) and the volume of the frozen compartments and refrigeration compartments to one place after the decimal point.

## Features

---



### BluPerformance

Offering even more interior capacity for food storage, economy and energy efficiency, quiet operation, ease-of-use and exceptional design: Liebherr's BluPerformance appliances set both a new direction in refrigeration and freezing, and new benchmarks.



### BioFresh

In the BioFresh compartments food retains its healthy vitamins, aroma and appetising appearance significantly longer than in a conventional fridge. Through its advanced technology the temperature is accurately kept at just above 0 °C.



### NoFrost

The NoFrost system from Liebherr provides rapid, fan-assisted, frost-free freezing for the safe, longterm storage of food. The NoFrost technology creates a much larger storage capacity and keeps the freezer constantly frost-free.



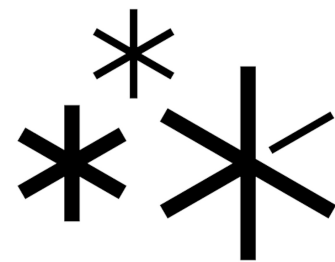
### DuoCooling

DuoCooling uses two completely separate refrigeration circuits to ensure no air is exchanged between the fridge and freezer compartments. The food neither dries out nor is odour transferred. This means throwing less away, shopping less often, but saving more and greater enjoyment.



### VarioSpace

Freezer drawers and toughened glass shelves can be removed. VarioSpace – the practical storage solution for larger items.

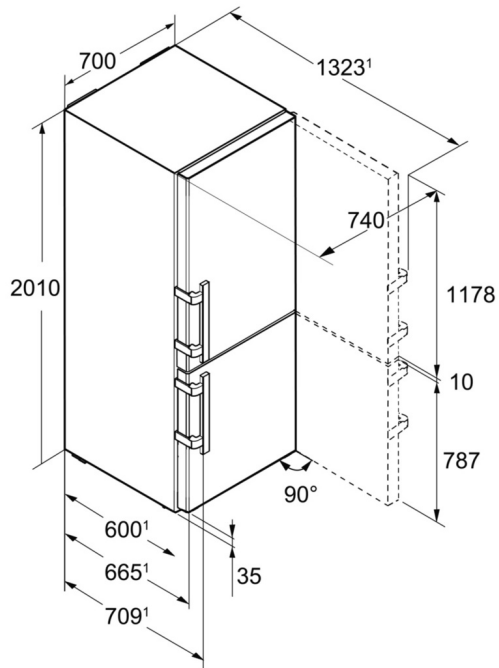


### SuperFrost

SuperFrost generates greater cold reserves so that freshly stored food can be frozen rapidly, in a vitamin-preserving manner. Reversion from the freezing temperature of -32 °C to the normal freezer temperature is time or quantity-controlled to help save energy.

# Technical drawing

---



---

Products and their details are staged for advertising purposes. Whilst every effort is made to ensure all specifications and information in this flyer are accurate, Liebherr reserves the right to make changes without notification. Where actual appliance measurements, specifications, and ratings are crucial, we recommend that the actual appliance installation instructions that accompany each appliance be checked. Liebherr will not be liable for any damage. (09.03.2023)

