

FCb 2613



 GERMAN
ENGINEERING

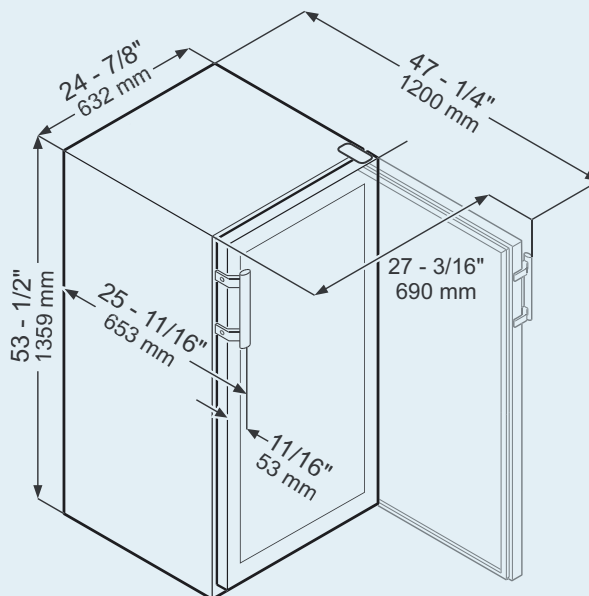
LIEBHERR
Quality, Design and Innovation

Universal refrigerated merchandiser with Bottom Mount Compressor



Universal refrigerated merchandiser	FCb 2613	LED
Total gross/net capacity cu.ft. (l)	9.89/7.35 (280/208)	
Exterior dimensions in inch (w/d/h)	24-7/8" / 25-11/16" / 53-1/2"	
in mm (w/d/h)	632/653/1359	
Interior dimensions in inch (w/d/h)	20" / 16-1/8" / 47-1/2"	
in mm (w/d/h)	507/409/1205	
Energy consumption in 365 days	597 kWh	
Ambient temperature	+50°F to +86°F	
Refrigerant	R 290	
Connection rating	4.0 A	
Frequency/voltage	60 Hz/115V~	
Cooling system/defrost	forced-air/automatic	
Temperature range in °F (°C)	+37°F to +45°F (+3°C to +7°C)	
External cabinet finish	steel/black	
Door/lid material	double-glazed door	
Internal liner material	commercial grade molded polystyrol	
Type of control	analogue controls	
Interior light	LED	
Adjustable shelves	4	
Shelf material	wire shelves plastic-coated	
Storage capacity 0.5 liter plastic bottles	156	
Storage capacity 0.33 liter cans	344	
Shelf loading in lbs (kg)	66.1 (30)	
Handle	plastic handle black	
Lock	-	
Self-closing door	yes	
Door hinges	right, reversible on site	
Insulation in inch	9-1/2"	
Gross/net weight in lbs (kg)	172/159 (78/72)	
Accessories	castor set	

Unit Dimensions



Subject to alterations.