

SGNef 3036

Freestanding freezer with NoFrost
Comfort



LIEBHERR

Freestanding

LIEBHERR

SGNef 3036

Freestanding freezer with NoFrost
Comfort



← 60 →



Energy consump. in 365 days/24 h	310 / 0.849 kWh
Frequency / voltage	50/60 Hz / 220-240 V-
Connection Rating	1.3 A 259 W
Door / Side walls	SmartSteel / silver
Exterior dimensions in cm (h / w / d)	185.2 / 60 / 62.3
Controls	
Type of Control	MagicEye behind-the-door, key electronic
Door alarm	acoustic
Alarm in case of malfunction	visual and acoustic
Freezer compartment	
Star coding	****
Number of drawers	8 drawers, of which 1 herb and berry tray, VarioSpace
VarioSpace	yes
Features	
Side-by-Side concept	Side-panel heating on both sides, suitable for combination with other fridges, freezers and/or wine appliances
Door hinges	Fixed door hinge, left
EAN-Nr.	4016803065197

Features



NoFrost

Liebherr's NoFrost appliances provide expert refrigeration technology to ensure long-term freshness. The food is frozen with chilled recirculating air, and any humidity is expelled. As a result, the freezer is always free of ice, and food no longer frosts over. NoFrost convenience makes defrosting a thing of the past.



SmartSteel

SmartSteel significantly reduces the visibility of finger marks and is very easy to clean.



Automatic SuperFrost function

The automatic SuperFrost function makes freezing simple and saves energy. It quickly reduces the temperature to -32°C and thus creates the cold air required to preserve vital vitamins. As soon as the food is completely frozen, the automatic SuperFrost function switches back to normal mode after max. 65 hours, and thus assists in saving electricity.



Door alarm

The audible door alarm alerts the user if the door has been open for longer than 60 seconds for safe protection of the food.



Child lock

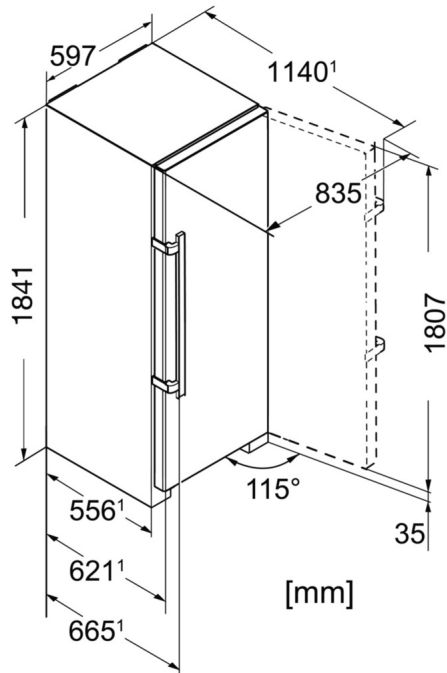
The child lock is programmed so as to prevent the appliance being inadvertently switched off. A symbol in the MagicEye indicates when the child lock is switched on.



FrostSafe

With the FrostSafe, the extra-high and removable drawers are closed all round. This means that the cold cannot dissipate so quickly when the appliance is opened. The transparent front of the compartments guarantees an optimum overview of the frozen items.

Technical drawing



Products and their details are staged for advertising purposes. Whilst every effort is made to ensure all specifications and information in this flyer are accurate, Liebherr reserves the right to make changes without notification. Where actual appliance measurements, specifications, and ratings are crucial, we recommend that the actual appliance installation instructions that accompany each appliance be checked. Liebherr will not be liable for any damage. (01.12.2022)

