
CBNef 5735

Fridge-freezer with BioFresh and
NoFrost
Comfort

LIEBHERR

Freestanding



Freestanding

LIEBHERR

CBNef 5735

Fridge-freezer with BioFresh and NoFrost
Comfort

G Made
in Germany



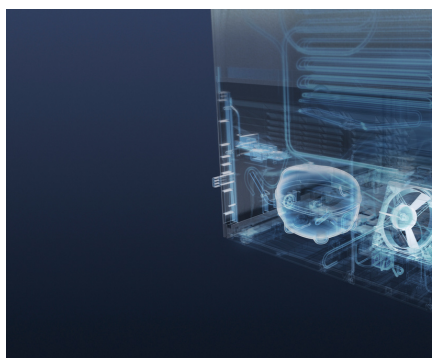
← 70 →



Energy consump. in 365 days/24 h	294 kWh¹
Total net capacity	381 l
Total net	Fridge: 275 l including BioFresh compartment: 108 l / Freezer compartment: 106 l
Noise output	36 dB(A)
Climate rating	SN-T (+10 °C to +43 °C)
Frequency / voltage	50/60 Hz / 220-240 V~
Connection Rating	1.4 A 190 W
Door / Side walls	SmartSteel / silver
Exterior dimensions in cm (h / w / d)	201 / 70 / 66.5¹
Controls	
Type of Control	2.4" TFT-monochrome display behind-the-door, touch electronic Digital temperature display for fridge, BioFresh and freezer compartments
Interface	SmartDeviceBox: optional accessory (Only available in selected countries)
Door alarm	visual and acoustic
Alarm in case of malfunction	visual and acoustic
Fridge compartment	
Forced air system	PowerCooling with FreshAir activated charcoal filter
Door interior	Comfort GlassLine storage shelf with bottle holder, Egg tray
Bottle shelf	Integrated bottle shelf
Interior light	LED ceiling lighting
BioFresh-Safes	2 BioFresh-Safes on telescopic rails, of which 1 variably adjustable from Fruit & Vegetable-Safe to DrySafe
Freezer compartment	
Star coding	****
Number of drawers	3 drawers, VarioSpace
Freezing capacity in 24 hours	9 kg
Temperature rise time	16 h
Features	
Door hinges	Reversible door hinging
EAN-Nr.	4016803055570

¹ To achieve the indicated energy consumption level, the wall spacers provided with the appliance must be used. These increase the appliance depth by approximately 1.5 cm. If the wall spacers are not used, the appliance will remain fully functional, but will have a slightly higher energy consumption level.

Features



BluPerformance

Offering even more interior capacity for food storage, economy and energy efficiency, quiet operation, ease-of-use and exceptional design: Liebherr's BluPerformance appliances set both a new direction in refrigeration and freezing, and new benchmarks.



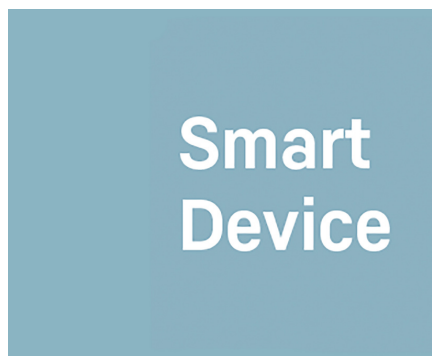
BioFresh

In the BioFresh compartments food retains its healthy vitamins, aroma and appetising appearance significantly longer than in a conventional fridge. Through its advanced technology the temperature is accurately kept at just above 0 °C.



NoFrost

The NoFrost system from Liebherr provides rapid, fan-assisted, frost-free freezing for the safe, longterm storage of food. The NoFrost technology creates a much larger storage capacity and keeps the freezer constantly frost-free.



SmartDevice

On Liebherr appliances bearing the "SmartDevice" logo, the SmartDeviceBox allows the appliance to be controlled and used via mobile devices. The SmartDeviceBox can be ordered as an accessory. Some appliances come with the SmartDeviceBox already integrated. This is indicated by the "i" in the appliance designation - for example "Kbi 4350".



DuoCooling

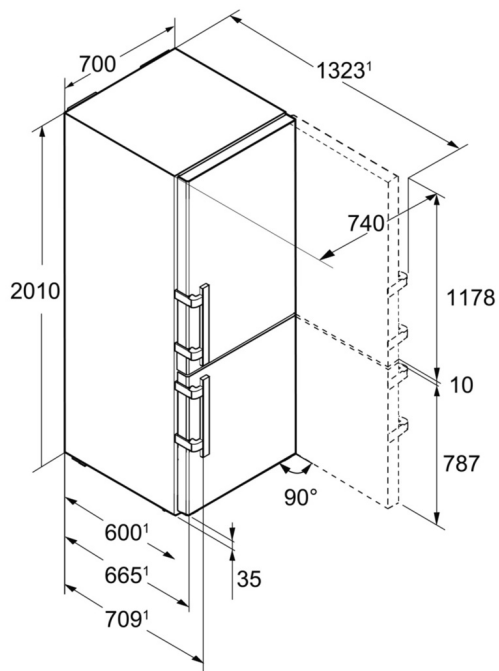
DuoCooling uses two completely separate refrigeration circuits to ensure no air is exchanged between the fridge and freezer compartments. The food neither dries out nor is odour transferred. This means throwing less away, shopping less often, but saving more and greater enjoyment.



VarioSpace

Freezer drawers and toughened glass shelves can be removed. VarioSpace – the practical storage solution for larger items.

Technical drawing



Products and their details are staged for advertising purposes. Whilst every effort is made to ensure all specifications and information in this flyer are accurate, Liebherr reserves the right to make changes without notification. Where actual appliance measurements, specifications, and ratings are crucial, we recommend that the actual appliance installation instructions that accompany each appliance be checked. Liebherr will not be liable for any damage. (10.04.2023)

