
WPbli 5231

Wine storage fridge
GrandCru Selection

LIEBHERR

Freestanding

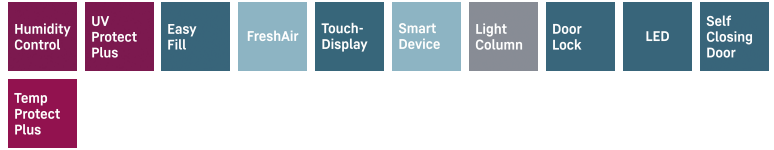


Freestanding

LIEBHERR

WPbli 5231

Wine storage fridge
GrandCru Selection



← 60 →



Energy consump. in 365 days/24 h	119 kWh ¹
Max. No. of Bordeaux bottles 0.75 Ltr	229 ²
Noise output	38 dB(A)
Climate rating	SN-ST (+10 °C to +38 °C)
Frequency / voltage	50/60 Hz / 220-240 V-
Connection Rating	1.5 A
Door	Glass door, frame black
Side walls	black
Exterior dimensions in cm (h / w / d)	188.4 / 59.7 / 76.3 ¹
Controls	
Type of Control	LC monochrome display in the door, touch electronic Digital temperature display
Alarm in case of malfunction	visual and acoustic
Door alarm	visual and acoustic
Child proof function	yes
Features	
Temperature zones	1
Temperature range	+5 °C to +20 °C
Adjustable cooling circuits	1
Forced air system	Convection cooling, fresh air supply via FreshAir activated charcoal filter
Interior light	LED light one-sided permanently on, dimmable
Handle	Aluminium handle
Interface	SmartDeviceBox included (Only available in selected countries)
Shelf material	Adjustable beech wood shelves
Storage shelves	6
Door hinges	Reversible door hinging, right
Lock	mechanisch
EAN-Nr.	9005382244050

¹ To achieve the indicated energy consumption level, the wall spacers provided with the appliance must be used. These increase the appliance depth by approximately 3.5 cm. If the wall spacers are not used, the appliance will remain fully functional, but will have a slightly higher energy consumption level.

² These models are only bound for storing wine. Maximum DIN norm bordeaux bottles capacity (0.75 l) as per norm NF H 35-124 (H: 300.5 mm, Ø 76.1 mm)

Features



VibrateSafe

Your wine needs peace and quiet. That's why our wine storage cabinets guarantee gentle storage with particularly quiet compressors specially developed by Liebherr and stable wooden shelves made of solid beech wood. This allows your wine to mature quietly and undisturbed.



HumidityControl

The perfect climate conditions can only be created with the correct combination of temperature and humidity. HumidityControl allows you to adjust the humidity to your needs. For an optimal storage climate and the opportunity to enjoy that freshness for even longer.



Wooden shelf, height-adjustable

Maximum capacity. A Liebherr wine storage cabinet also makes it easier to organise a growing wine collection. To take full advantage of its capacity, the interior has been designed so that your wine bottles can be stored neck-to-neck on the wooden shelves. This means there's plenty of room even for ever-increasing wine stocks. So feel free to keep collecting.



UVProtect Plus

Triple protection. For long-term storage, the wine storage cabinets with glass door offer unprecedented protection from UV radiation: three protective layers consisting of tinted glass and a double layer of vacuum-deposited metal. Known as Low-E coating, it provides highly efficient protection for your wine against harmful solar radiation.



Precision temperature settings

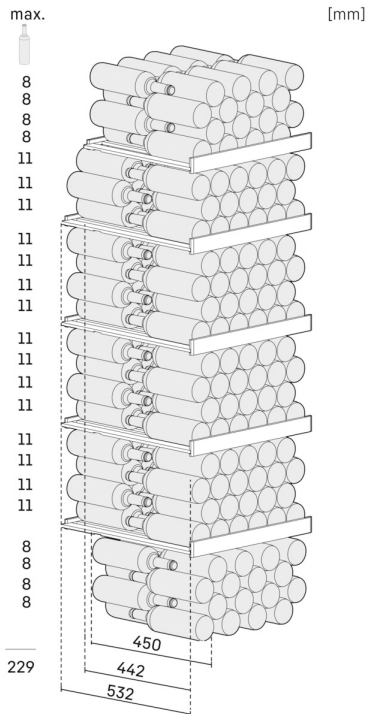
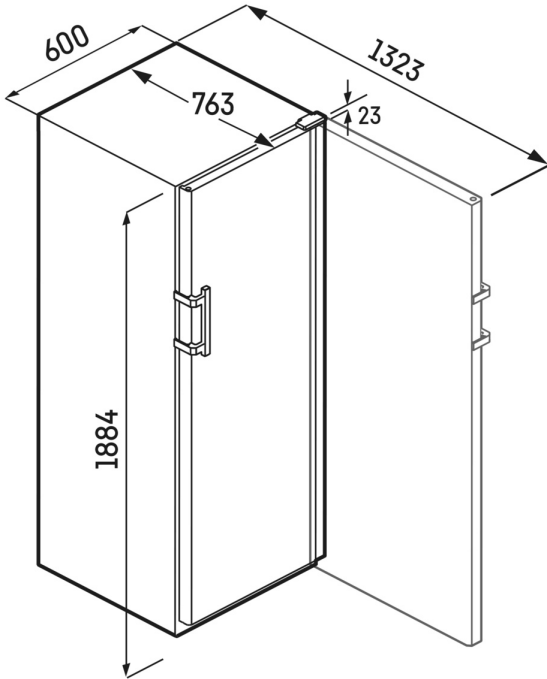
If not kept at the right storage temperature, wine can be harmed and lose its quality. The precise electronic control system ensures that the required temperature is constantly maintained in your Liebherr wine storage cabinet. It can be set to the exact degree between +5 °C and +20 °C. The current temperature is shown on the display.



EasyFill loading aid

Lighten the load. The EasyFill loading aid ensures that the door of your wine storage cabinet remains open from an angle of 90° – for particularly easy filling. And thanks to the SelfClosing mechanism, the door closes all by itself when opened less than 90° – always as gently as your valuable wines require.

Technical drawing



Products and their details are staged for advertising purposes. Whilst every effort is made to ensure all specifications and information in this flyer are accurate, Liebherr reserves the right to make changes without notification. Where actual appliance measurements, specifications, and ratings are crucial, we recommend that the actual appliance installation instructions that accompany each appliance be checked. Liebherr will not be liable for any damage. (27.06.2024)

