

CNP 4056

Fridge-freezer with NoFrost
Premium



LIEBHERR

Freestanding

LIEBHERR

CNP 4056

Fridge-freezer with NoFrost
Premium



← 60 →



Energy consump. in 365 days/24 h	kWh¹
Total net	Fridge: 267 l / Freezer compartment: 94 l
Frequency / voltage	60 Hz / 115 V~
Connection Rating	2.0 A 163 W
Door / Side walls	white / white
Exterior dimensions in cm (h / w / d)	202 / 60 / 63¹
Controls	
Type of Control	Touch Elektronik/in der Tür/Touch-Elektronik Touch Elektronik/Kühl- und Gefierteil
Door alarm	akustisch
Alarm in case of malfunction	optisch und akustisch
Fridge compartment	
Forced air system	PowerCooling
Door interior	Premium GlassLine storage shelf with bottle holder, Egg tray
Interior light	LED light column on both sides
Fruit and vegetable bins	1 spacious fruit and vegetable drawer on telescopic rails with LED lighting
Freezer compartment	
Star coding	****
Interior light	LED lighting
Number of drawers	3 drawers, VarioSpace
Features	
Side-by-Side concept	Side-panel heating on both sides, suitable for combination with other fridges, freezers and/or wine appliances
Door hinges	Reversible door hinging
EAN-Nr.	9005382188217

¹ To achieve the indicated energy consumption level, the wall spacers provided with the appliance must be used. These increase the appliance depth by approximately 3.5 cm. If the wall spacers are not used, the appliance will remain fully functional, but will have a slightly higher energy consumption level.

Features



NoFrost

Liebherr's NoFrost appliances provide expert refrigeration technology to ensure long-term freshness. The food is frozen with chilled recirculating air, and any humidity is expelled. As a result, the freezer is always free of ice, and food no longer frosts over. NoFrost convenience makes defrosting a thing of the past.



DuoCooling

DuoCooling uses two completely separate refrigeration circuits to ensure no air is exchanged between the fridge and freezer compartments. The food neither dries out nor is odour transferred. This means throwing less away, shopping less often, but saving more and greater enjoyment.



Automatic SuperFrost function

The automatic SuperFrost function makes freezing simple and saves energy. It quickly reduces the temperature to $-32\text{ }^{\circ}\text{C}$ and thus creates the cold air required to preserve vital vitamins. As soon as the food is completely frozen, the automatic SuperFrost function switches back to normal mode after max. 65 hours, and thus assists in saving electricity.



SuperCool

The automatic SuperCool function lowers the refrigerator temperature down to as far as $+2\text{ }^{\circ}\text{C}$ for as long as 12 hours - ideal for rapidly cooling freshly stored food.



Door alarm

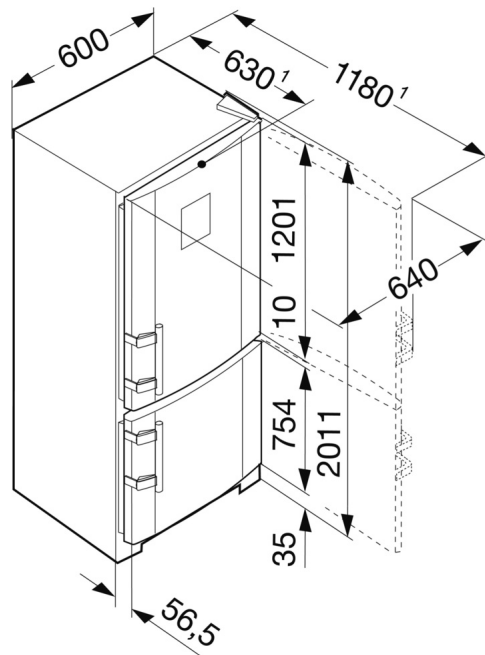
The audible door alarm alerts the user if the door has been open for longer than 60 seconds for safe protection of the food.



FrostControl

In the event of a power failure, the FrostControl display indicates the warmest temperature that was reached in the freezer compartment. This helps to assess the quality and projected storage life of the frozen goods that were affected by the power failure.

Technical drawing



Products and their details are staged for advertising purposes. Whilst every effort is made to ensure all specifications and information in this flyer are accurate, Liebherr reserves the right to make changes without notification. Where actual appliance measurements, specifications, and ratings are crucial, we recommend that the actual appliance installation instructions that accompany each appliance be checked. Liebherr will not be liable for any damage. (01.03.2023)

