

# One Solution For All Your Favourites

Quality, Design and Innovation



EWTdf 3553

# LIEBHERR



**Electronic LCD Display:** In the EWTdf 3553, our touch electronic control system is integrated into the insulation layer between two temperature zones, making it possible to set two different temperatures within this wine cabinet. The digital temperature display can be viewed through the UV tinted glass door.



**Presentation shelf:** The practical shelf of our Vinidor range fulfils both bottle storage and presentation functions, while telescopic rails enable smooth shelf sliding. Bottles can be stored horizontally at the rear.



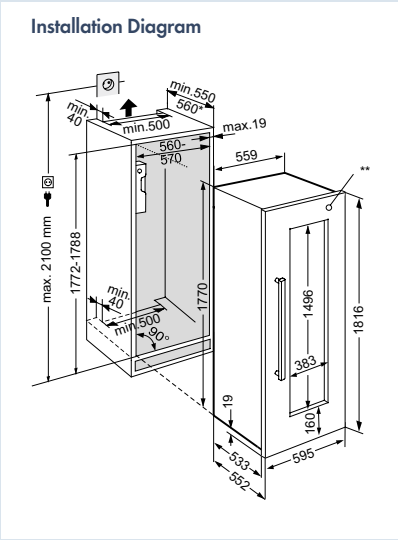
**LED lighting:** The light in the cooling compartments can be dimmed to give a pleasing ambient light inside the appliance.

The dual-zone fully-integrated **EWTdf 3553** wine cabinet allows you to store red and white wines according to your preference, each at its optimum drinking temperature. This model is compatible with furniture overlay panels (supplied by your kitchen retailer) or Liebherr's stainless steel frame or aluminium accessories<sup>1</sup>.

**EWTdf 3553**  
Vinidor

LED	Wine	Soft System	Telescopic Rails
-----	------	-------------	------------------

Sound rating dB(A) *	34
Total capacity litre	256
Max No. of Bordeaux bottles (0.75l) **	80
Number of shelves	10
Shelves on telescopic rails	8
Shelf material	Beech wood
Presentation shelf	1
Electronic control	LCD display, touch electronic
Temperature range °C	+5°C to +20°C
Temperature zones	2
Temperature alarm	Visual and audible
Interior light	LED
Door alarm	Audible
Safety thermostat	Yes
Activated charcoal filter	Yes
Door type	Panel ready or stainless steel panel as accessory
SoftSystem	Yes
Door hinges	Right, reversible
Product dimensions (H/W/D) cm	177 / 55.7 / 55.3
Cut out dimensions (H/W/D) cm	177.2 - 178.8 / 56 - 57 / min. 55
Gross / Net weight kg	98 / 89
Voltage V/Hz	220-240 / 50



\* Noise output - according to EN 60704-3  
 \*\* These models are only bound for storing wine. Max. DIN norm bordeaux bottle capacity (0.75 l) as per norm NF H 35-124 (H:300.5 mm, Ø 76.1mm)  
<sup>1</sup> Available accessories: Stainless Steel Frame & Aluminum Handle (Part no. 990157300), Aluminum frame for inserting own cabinet panel – 19 mm or 22 mm thickness (Part no. 990108000 or 990108300), Aluminum Handle (Part no. 990156100), Activated Charcoal Filter (Part no. 988128900)

Note: Whilst every effort is made to ensure all specifications and information in this flyer are accurate, Liebherr reserves the right to make changes without notification. Where actual appliance measurements, specifications, and ratings are crucial, we recommend that the actual appliance installation instructions that accompany each appliance be checked. Liebherr will not be liable for any loss.

Subject to modification. Current data see home.liebherr.com (081220)