

---

# XRFbsh 5265

---

Side-by-Side combination  
○ Prime

# LIEBHERR

Freestanding



# SFNbsh 5267

Freestanding freezer with NoFrost

◊ Prime



← 60 →



Energy consump. in 365 days/24 h	<b>189.800 / 0.520 kWh<sup>1</sup></b>
Total volume	<b>277 l<sup>2</sup></b>
Noise output	<b>34 dB(A)</b>
Climate rating	<b>SN,N,ST,T</b>
Door / Side walls	<b>BlackSteel / BlackSteel</b>
Exterior dimensions in cm (h / w / d)	<b>185.5 / 59.7 / 67.5<sup>1</sup></b>
<b>Controls</b>	
Type of Control	2.4" TFT Display farbig/hinter der Tür/Touch und Swipe-display Digital temperature display
Door alarm	visual and acoustic
Alarm in case of malfunction	visual and acoustic
<b>Freezer compartment</b>	
Interior light	LED lighting
Number of drawers	7 drawers on integrated drawer guide, VarioSpace Top drawer with convenient tilting function
IceMaker	with fixed 3/4" water connection
Ice cube capacity in 24 hours	0.8 kg
Ice cube stock	8.0 kg
Freezing capacity in 24 hours	18 kg
Temperature rise time	16 h
VarioSpace	yes
Cold storage accumulators	2
<b>Features</b>	
Side-by-Side concept	Side wall heating right, suitable for combination with other refrigerators, freezers and/or wine appliances
Door hinges	Reversible door hinge, left
Replaceable door seal	yes
EAN-Nr.	4016803132172

<sup>1</sup> To achieve the indicated energy consumption level, the wall spacers provided with the appliance must be used. These increase the appliance depth by approximately 1.5 cm. If the wall spacers are not used, the appliance will remain fully functional, but will have a slightly higher energy consumption level.

<sup>2</sup> In accordance with Regulation EU 2019/2016 we indicate the total volume to the nearest integer (rounded off) and the volume of the frozen compartments and refrigeration compartments to one place after the decimal point.

# Features

---



**NoFrost**

When you open your freezer, you want to see frozen food – and certainly not ice and frost. NoFrost protects the freezer compartment from unwanted icing, which consumes a lot of energy and can be expensive. NoFrost means no more tedious and time-consuming defrosting of the freezer compartment, more time for other things – and saving money.



**BlackSteel**

Black stainless steel strikingly emphasises the simplistic beauty of pure metal. The BlackSteel surface captivates with its unique vertical polish and refined touches, giving the material its characteristic sharpness and making it both scratch and fingerprint insensitive. So your appliance always remains an eye-catcher.



**Touch & Swipe display**

Control of your Liebherr at your fingertips: thanks to the Touch & Swipe display, you can operate your refrigerator intuitively and with ease. Simply select functions such as SuperCool on the colour display by tapping and swiping. The temperature is controlled just as easily. And, what if you are not actively using the display? Well, it then shows you the actual temperature.



**IceTower**

You will never run out of cold drinks at your party. The IceTower, which holds 8 kg of ice cubes, makes sure of that. The ice cube scoop and the pull-out tray on telescopic rails allow easy access to the ice cubes. An extra insert tray means you can also store less ice and make room for frozen food underneath. The adjacent drawer provides storage space for frozen goods.



**Ice cube scoop**

The Liebherr ice scoop makes portioning and transporting of ice easy. Thanks to the slanted tip and the ergonomic handle, ice cubes can make it from your IceTower into your drinks quickly and easily. The robust ice scoop made of sturdy plastic is also pleasing to the eye thanks to its satin surface in transparent glacier green.



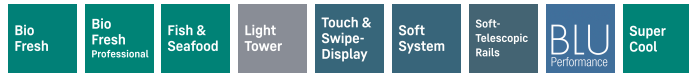
**SoftSystem**

From breakfast to a midnight snack – a fridge needs to be open and closed on many occasions. And your Liebherr makes this a lot of fun. With the SoftSystem, your fridge door closes softly and safely, and in a way which is pleasantly quiet and light. Bottles stored in the inside door remain securely in place – nothing rattles or wobbles.

# SRBbsh 5260

Freestanding refrigerator with  
BioFresh Professional

◊ Prime



← 60 →



Energy consump. in 365 days/24 h	<b>98.550 / 0.270 kWh<sup>1</sup></b>
Total volume	<b>379 l<sup>2</sup></b>
Volume	Fridge: <b>242 l</b> / BioFresh compartment: <b>137 l</b>
Noise output	<b>34 dB(A)</b>
Climate rating	<b>SN,N,ST,T</b>
Door / Side walls	<b>BlackSteel / BlackSteel</b>
Exterior dimensions in cm (h / w / d)	<b>185.5 / 59.7 / 67.5<sup>1</sup></b>
<b>Controls</b>	
Type of Control	2.4" TFT Display farbig/hinter der Tür/Touch und Swipe-display Digital temperature display for fridge and BioFresh compartments
Door alarm	visual and acoustic
<b>Fridge compartment</b>	
Forced air system	PowerCooling with FreshAir activated charcoal filter
Door interior	Premium GlassLine storage shelves with bottle holder, removable VarioBoxes, adjustable egg tray
VarioSafe	yes
Bottle shelf	Integrated bottle shelf
Interior light	LED light panel, both sides LED BioFresh lighting
BioFresh-Safes	3 BioFresh safes with SoftTelescopic, 1 Fruit & Vegetable safe, 1 Fish & Seafood safe, 1 Meat & Dairy safe
<b>Features</b>	
Side-by-Side concept	Side wall heating left, suitable for combination with other refrigerators, freezers and/or wine appliances
Door hinges	Reversible door hinging, right
Replaceable door seal	yes
EAN-Nr.	4016803133131

<sup>1</sup> To achieve the indicated energy consumption level, the wall spacers provided with the appliance must be used. These increase the appliance depth by approximately 1.5 cm. If the wall spacers are not used, the appliance will remain fully functional, but will have a slightly higher energy consumption level.

<sup>2</sup> In accordance with Regulation EU 2019/2016 we indicate the total volume to the nearest integer (rounded off) and the volume of the frozen compartments and refrigeration compartments to one place after the decimal point.

## Features

---



**BioFresh Professional**

The BioFresh Professional safe gives food an additional boost of freshness for a long shelf life – wow effect included: Thanks to HydroBreeze a cold mist covers fruit and vegetables like a protective balm. In combination with a temperature just above 0 °C and high humidity, unpackaged fruits and vegetables feel right at home.



**Fish & Seafood-Safe**

Love fish? Your Liebherr keeps fish fresh! The Fish & Seafood Safe stores fish and seafood at the optimum temperature of -2 °C; as professionally as your fishmonger. Adjust the size of the -2 °C zone as much as you want – and store the remaining meat and dairy products at the optimum 0 °C. An LED display indicates that the -2 °C zone is currently active.



**Fruit & Vegetable safe**

Crunchy salad and strawberries: the most delicate foods deserve a special place so they stay fresh longer – in BioFresh safes. In the Fruit & Vegetable safe the temperature is close to 0 °C. Combined here with the constant humidity, thanks to the air-tight closure, unpackaged fruit and vegetables feel particularly at home. You do not have to adjust anything.



**Meat & Dairy safe**

Do you want the tender veal fillet or fresh milk to stay fresh for as long as possible? The BioFresh safes will ensure this is the case. In the Meat & Dairy Safe, the temperature is close to 0 °C – ideal storage conditions for even the most delicate of foods. And best of all, everything is perfectly adjusted in the factory for immediate use – and for longer freshness.



**BlackSteel**

Black stainless steel strikingly emphasises the simplistic beauty of pure metal. The BlackSteel surface captivates with its unique vertical polish and refined touches, giving the material its characteristic sharpness and making it both scratch and fingerprint insensitive. So your appliance always remains an eye-catcher.

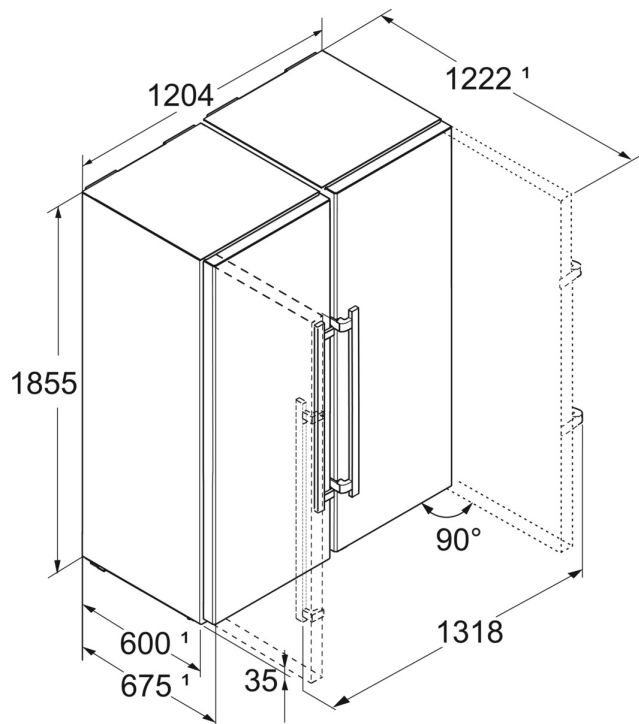


**LightTower**

Enjoy an optimally illuminated interior: the LightTower shows off the food in its best light and is positioned so that all of your filled fridge is illuminated at all times. The flush mounting of the LightTower in the side walls means there is also more space for your food.

# Technical drawing

---



Products and their details are staged for advertising purposes. Whilst every effort is made to ensure all specifications and information in this flyer are accurate, Liebherr reserves the right to make changes without notification. Where actual appliance measurements, specifications, and ratings are crucial, we recommend that the actual appliance installation instructions that accompany each appliance be checked. Liebherr will not be liable for any damage. (29.05.2024)

