

SGN 3036

Freestanding freezer with NoFrost
Comfort



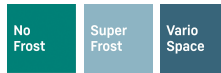
LIEBHERR

Freestanding

LIEBHERR

SGN 3036

Freestanding freezer with NoFrost
Comfort



← 60 →



Energy consump. in 365 days/24 h	kWh ¹
Frequency / voltage	60 Hz / 220 V-
Connection Rating	1.3 A 259 W
Door / Side walls	white / white
Exterior dimensions in cm (h / w / d)	185.2 / 60 / 63 ¹

Controls

Type of Control	MagicEye behind-the-door, touch electronic Digital temperature display
Door alarm	akustisch
Alarm in case of malfunction	optisch und akustisch

Freezer compartment

Star coding	****
Number of drawers	8 drawers, of which 1 herb and berry tray, VarioSpace
VarioSpace	yes

Features

Side-by-Side concept	Side-panel heating on both sides, suitable for combination with other fridges, freezers and/or wine appliances
Door hinges	Fixed door hinge, left
EAN-Nr.	-

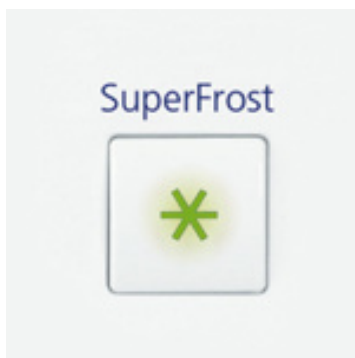
¹ To achieve the indicated energy consumption level, the wall spacers provided with the appliance must be used. These increase the appliance depth by approximately 3.5 cm. If the wall spacers are not used, the appliance will remain fully functional, but will have a slightly higher energy consumption level.

Features



NoFrost

Liebherr's NoFrost appliances provide expert refrigeration technology to ensure long-term freshness. The food is frozen with chilled recirculating air, and any humidity is expelled. As a result, the freezer is always free of ice, and food no longer frosts over. NoFrost convenience makes defrosting a thing of the past.



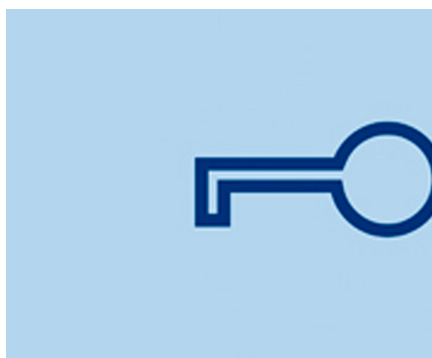
Automatic SuperFrost function

The automatic SuperFrost function makes freezing simple and saves energy. It quickly reduces the temperature to -32 °C and thus creates the cold air required to preserve vital vitamins. As soon as the food is completely frozen, the automatic SuperFrost function switches back to normal mode after max. 65 hours, and thus assists in saving electricity.



Door alarm

The audible door alarm alerts the user if the door has been open for longer than 60 seconds for safe protection of the food.



Child lock

The child lock is programmed so as to prevent the appliance being inadvertently switched off. A symbol in the MagicEye indicates when the child lock is switched on.



FrostSafe

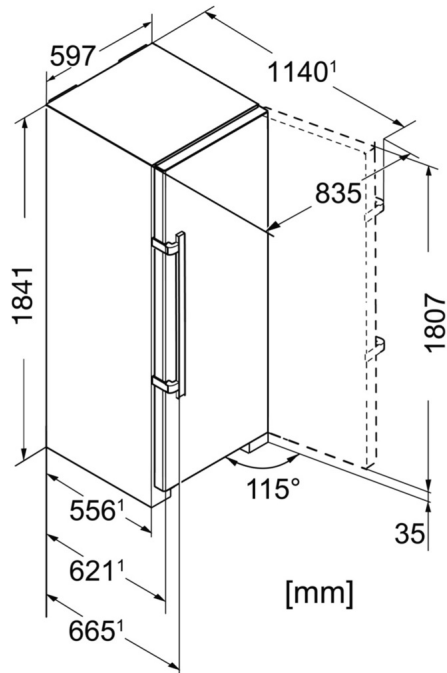
With the FrostSafe, the extra-high and removable drawers are closed all round. This means that the cold cannot dissipate so quickly when the appliance is opened. The transparent front of the compartments guarantees an optimum overview of the frozen items.



VarioSpace

All freezers with NoFrost and SmartFrost feature drawers and intermediate glass shelves underneath them which can be conveniently removed. This results in VarioSpace – the practical system for extra storage space so that space can be created quickly even for larger frozen food items.

Technical drawing



Products and their details are staged for advertising purposes. Whilst every effort is made to ensure all specifications and information in this flyer are accurate, Liebherr reserves the right to make changes without notification. Where actual appliance measurements, specifications, and ratings are crucial, we recommend that the actual appliance installation instructions that accompany each appliance be checked. Liebherr will not be liable for any damage. (01.03.2023)

