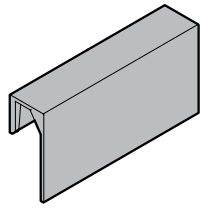


7085 507-00

EWTdf 1653 / 2353 / 3553



Scope of delivery

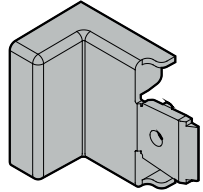


Labels

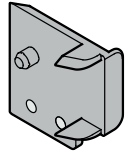
2 pc. - EWT 1653

4 pc. - EWT 2353

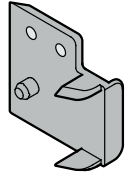
8 pc. - EWT 3553



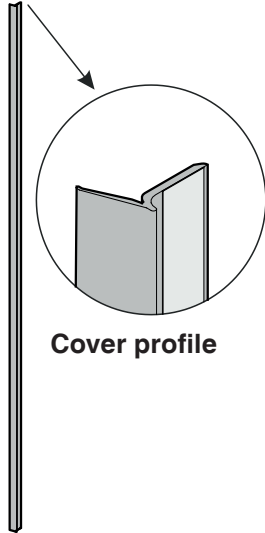
Cover



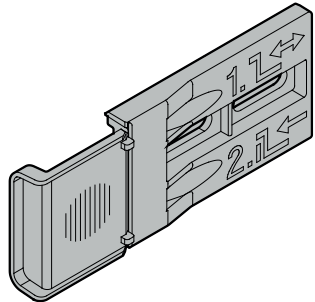
Spacer



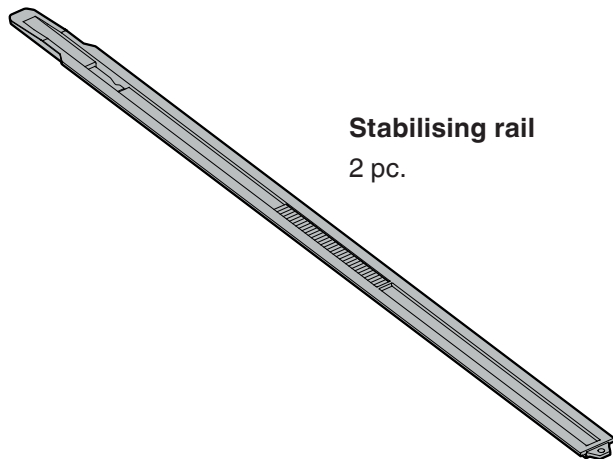
Spacer



Cover profile

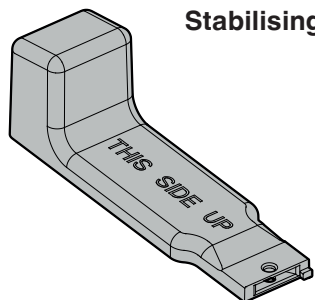


Attachment bracket

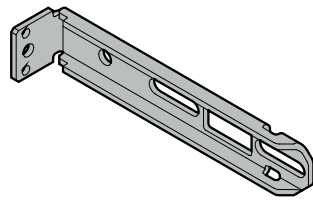


Stabilising rail

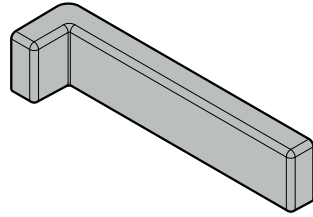
2 pc.



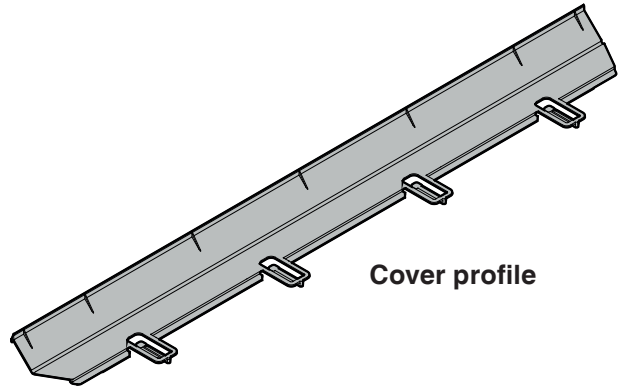
Stabilising rail handle



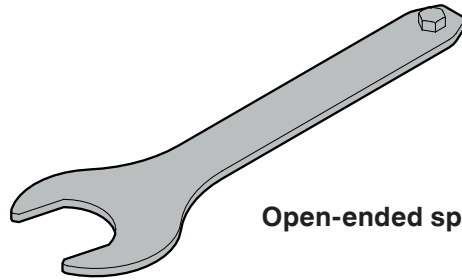
Attachment bracket



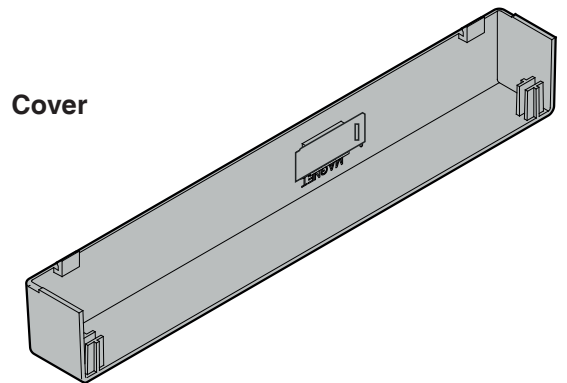
Cover



Cover profile



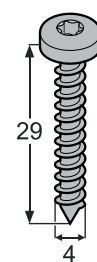
Open-ended spanner



Cover



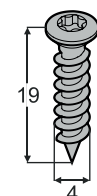
2 pc.



2 pc.



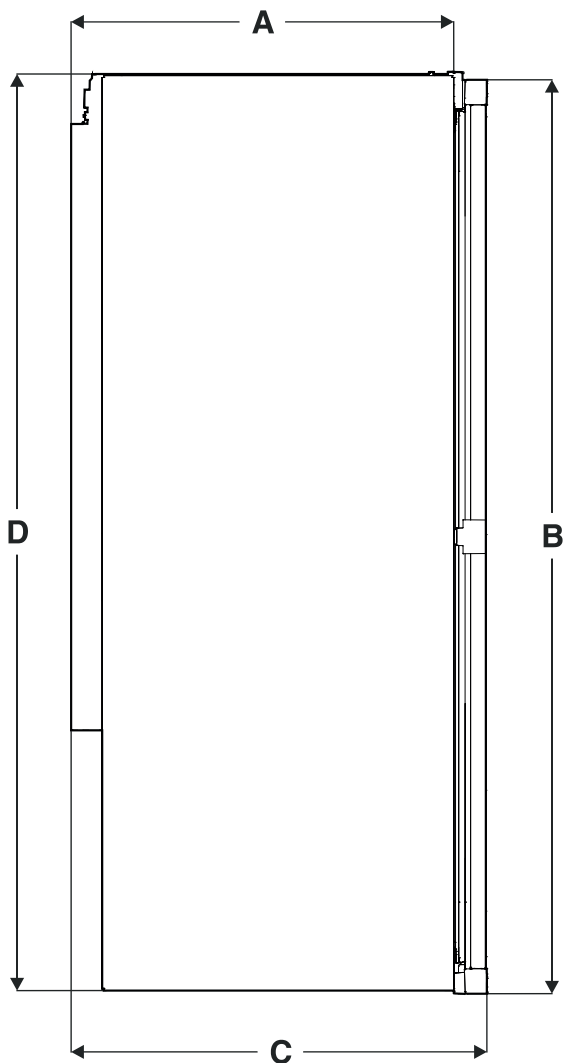
2 pc.



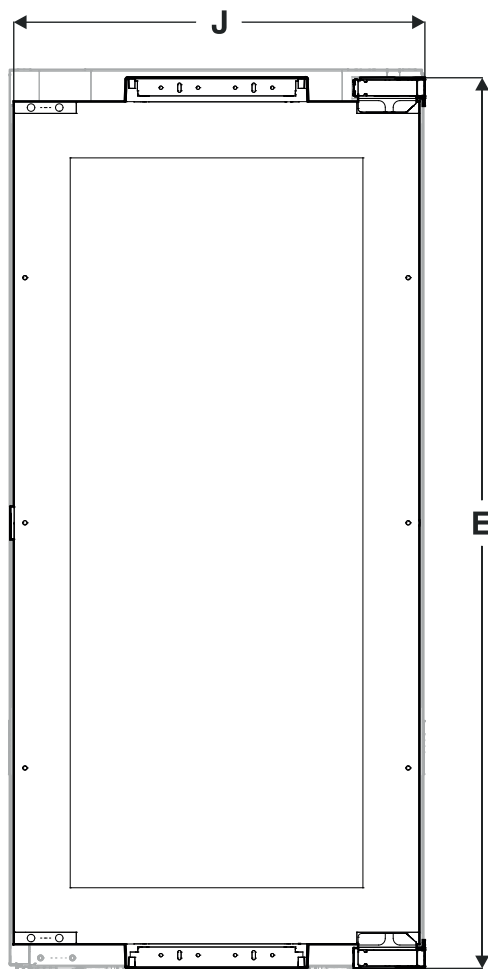
5 pc.

Appliance dimensions

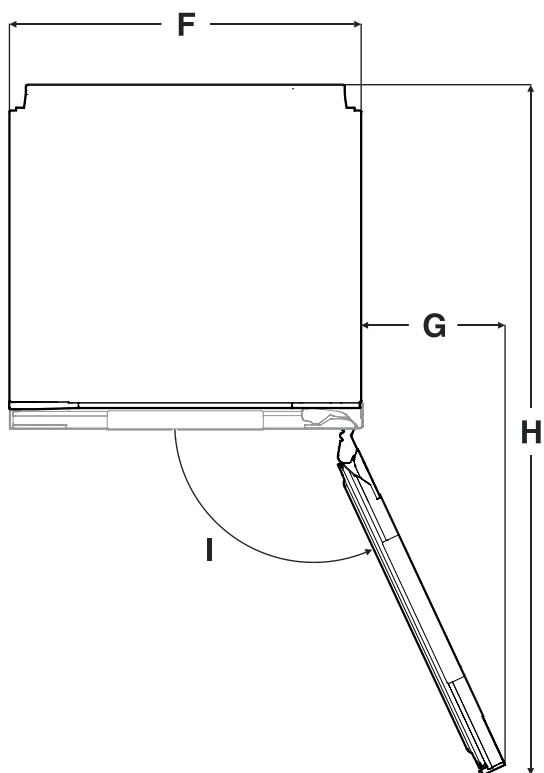
Side view



Front view



View from above



A	510 mm
B	EWT 16.. - 854 mm EWT 23.. - 1200 mm EWT 35.. - 1752 mm
C	553 mm
D	EWT 16.. - 872 mm EWT 23.. - 1218 mm EWT 35.. - 1770 mm
E	EWT 16.. - 853 mm EWT 23.. - 1199 mm EWT 35.. - 1751 mm
F	557 mm
G	228 mm
H	1100 mm
I	115°
J	546 mm

Transporting the appliance

⚠ CAUTION

Danger of injury or damage as a result of incorrect transport!

- Transport the appliance in a packed condition.
- Transport the appliance upright.
- Do not transport the appliance without assistance.

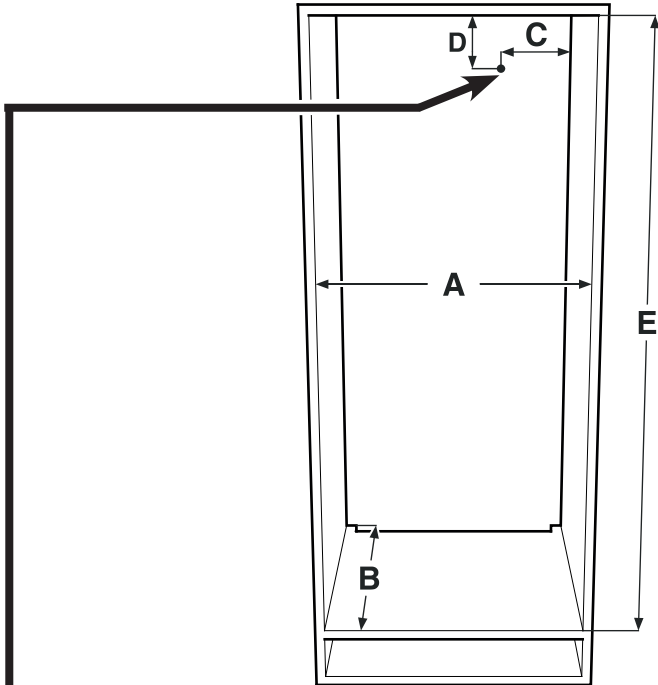
Installation dimensions

Important note

In order to avoid any problems when installing the appliance and to avoid damage to the appliance, the following conditions must be complied with.

The kitchen unit must be aligned horizontally and vertically!

Minimum wall thickness of the body of the unit = 16 mm.



A	560 mm - 570 mm
B	min. 550 mm (recommended 560 mm)
C	70 mm
D	30 mm
E	EWT 16.. - 874-890 mm EWT 23.. - 1220-1236 mm EWT 35.. - 1772-1788 mm

In this area, the mains power cable comes out of the appliance rear.

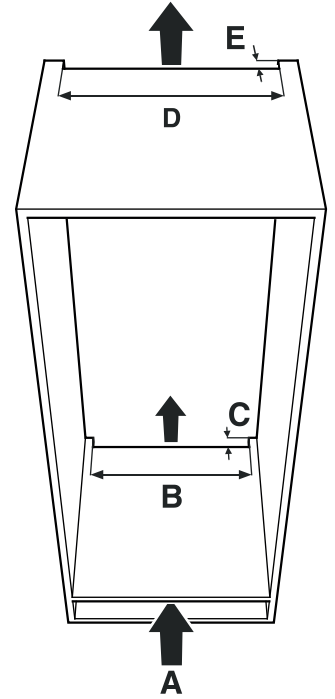
Free length of the mains power cable:

EWT 16..: 2000 mm
EWT 23..: 2000 mm
EWT 35..: 2800 mm

Choose the position of the socket considering these specifications.

The socket must not be situated behind the appliance and must be easily accessible.

Appliance venting



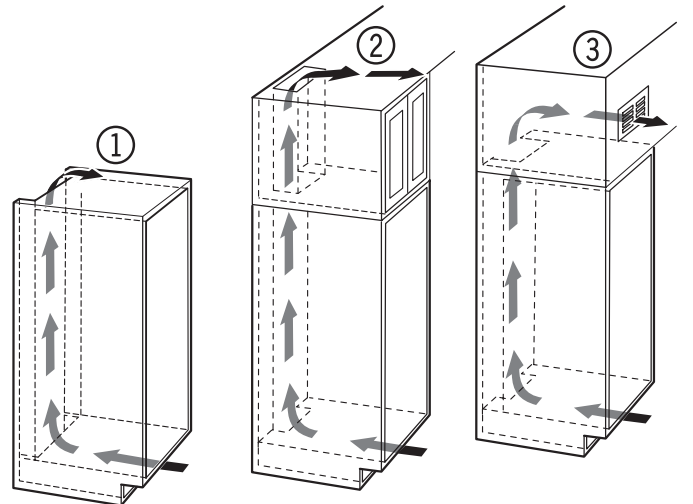
Important note

The clear ventilation cross-section must be at least 200 cm² from the lower ventilation opening right to the upper one.

A	min. 200 cm ³
B	min. 500 mm
C	min. 40 mm
D	min. 500 mm
E	min. 40 mm

Types of air outlet

- (1) Directly above the appliance
- (2) Above the top unit
- (3) From the front of the top unit with decor grille



Important note

When using decor grilles, it must be taken into account that the clear ventilation cross-section corresponds to the sum of the individual openings in the grille.

A cut-out section of merely 200 cm² for installing the ventilation grille is thus not sufficient.

Changing over door hinges

Door hinges should only be changed by a trained expert.

Changing the door hinges must be done by two people.

⚠ WARNING!

High door weight.

Danger of injury and damage to property.

Only complete the modification work if you can lift a weight of 20 kg.

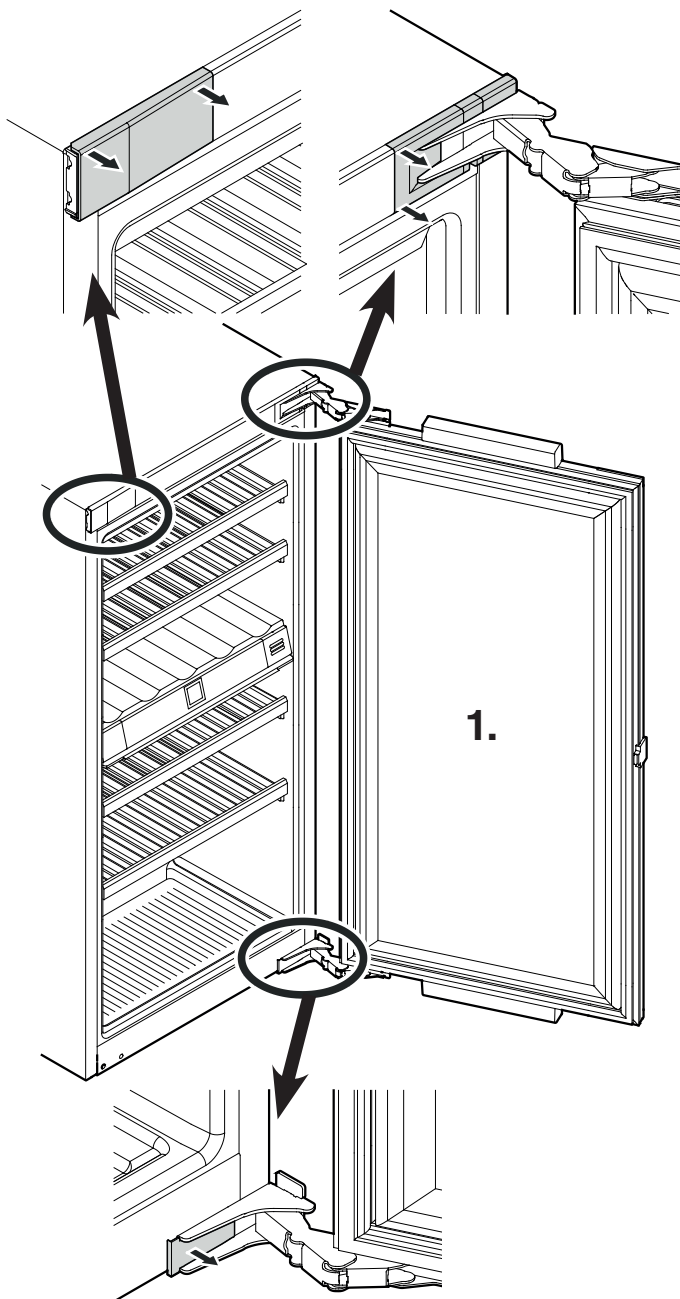
⚠ WARNING!

Risk of injury due to the door dropping out!

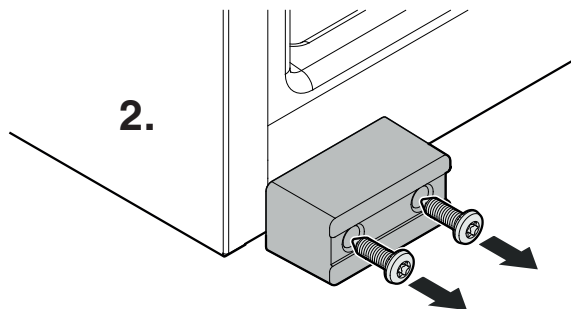
If the fastening parts are not screwed into place firmly enough, the door may drop out.

This may lead to severe injuries. What is more, the door may not close and therefore the appliance may fail to cool properly.

1. Remove covers.



2. Remove the transportation safety component.



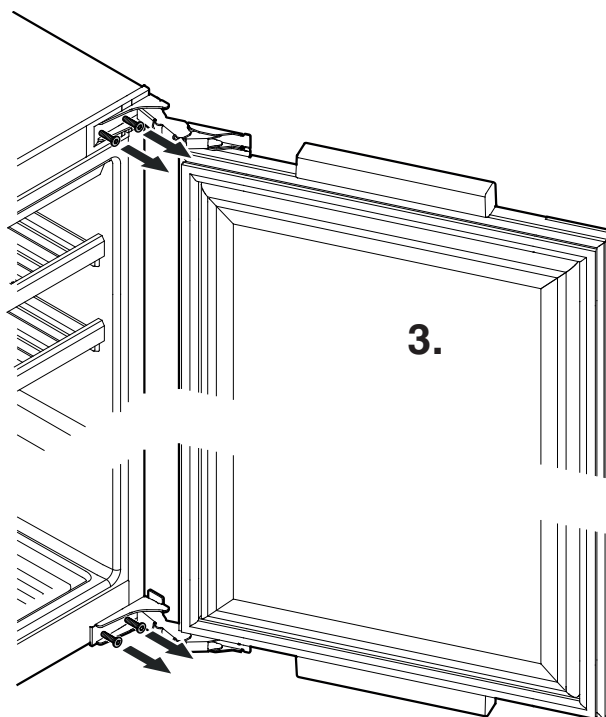
3. Remove the door.

The door must now be held secure by somebody.

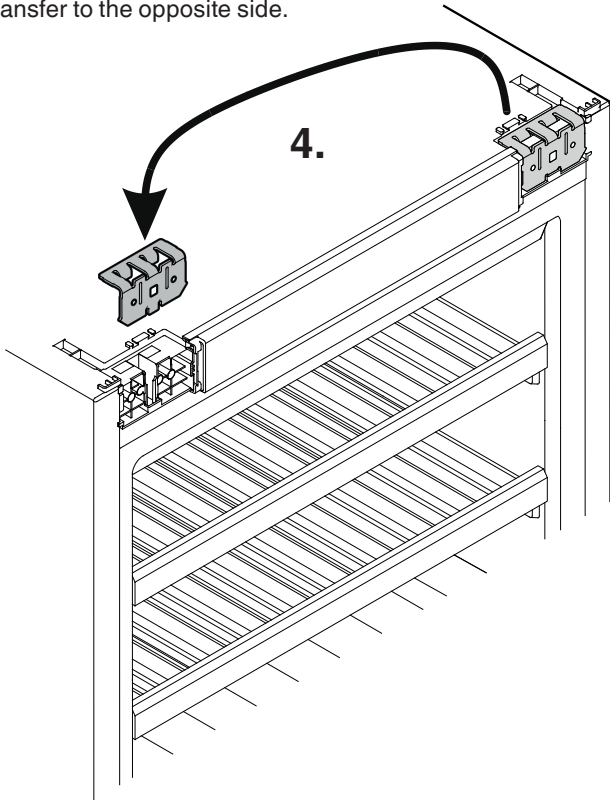
⚠ CAUTION

Risk of injury if hinges fold!

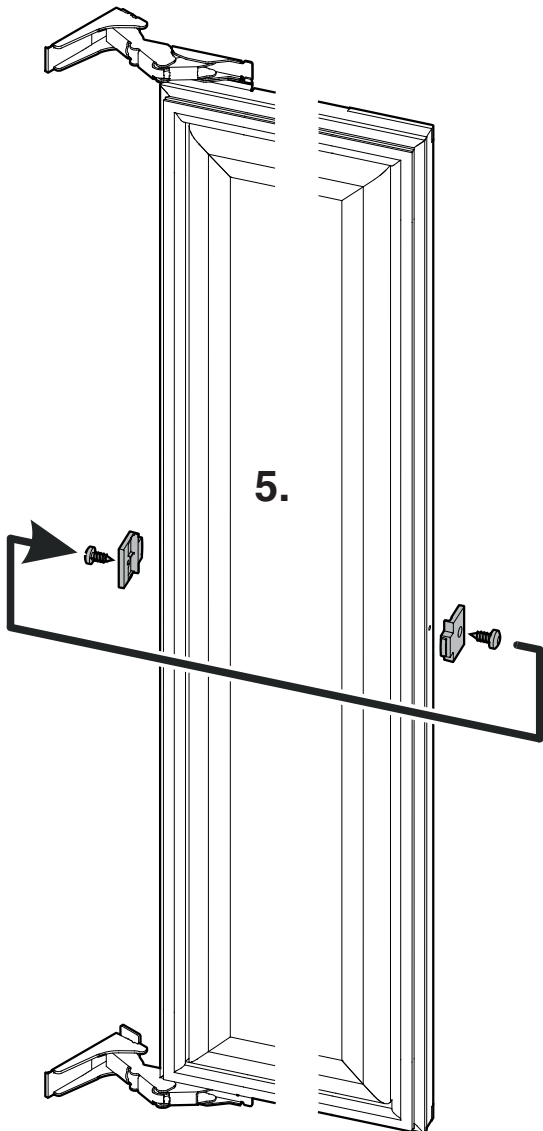
- Leave hinges open.



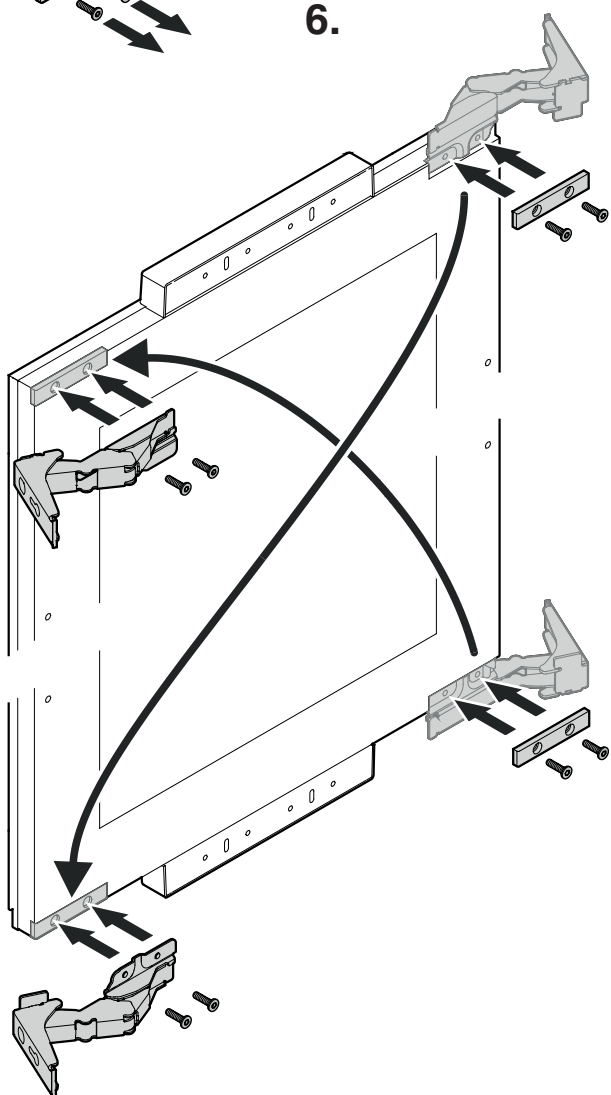
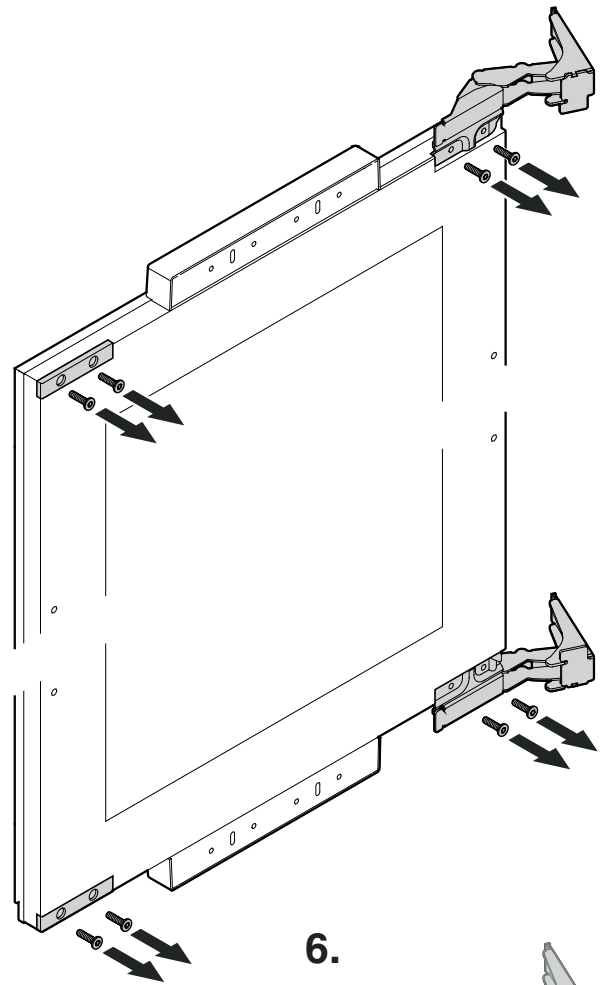
4. Remove the upper retaining bracket and transfer to the opposite side.



5. Transfer the stop to the opposite side.



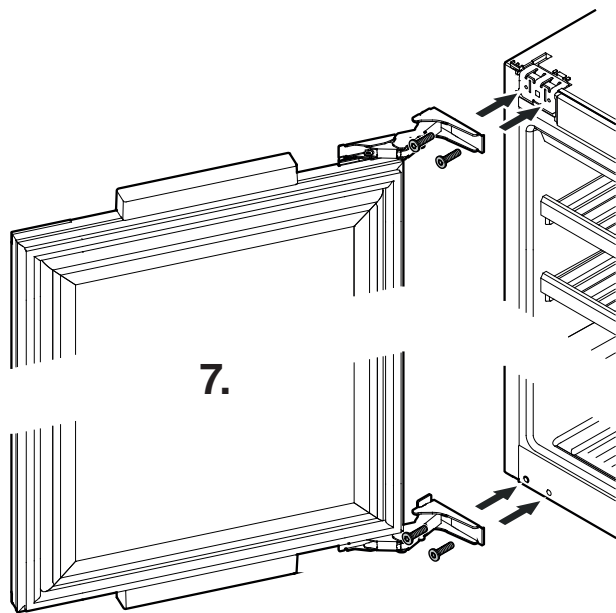
6. Unscrew hinges and covers and re-fit on the opposite side at diagonals to the original position.



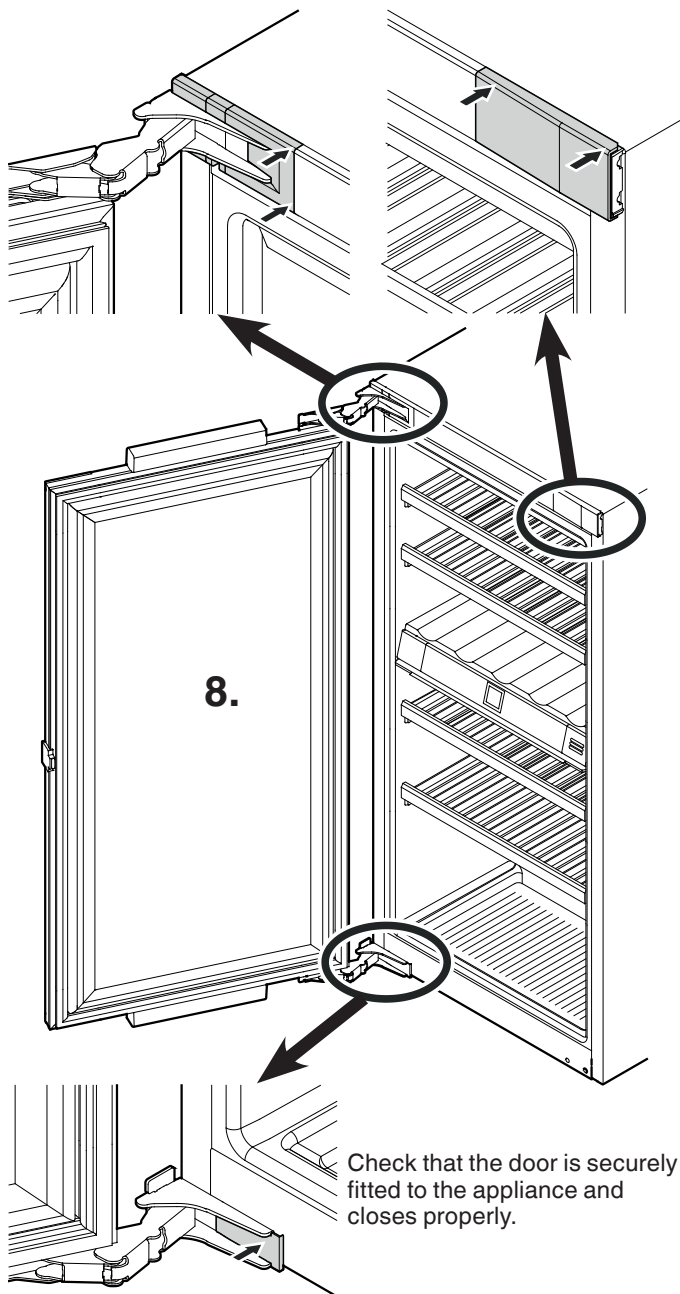
7. Fit the door on the appliance.

Notice

The door must now be held secure by somebody.



8. Fit covers and click into place.



Installing the appliance

The installation work should only be carried out by trained personnel. Two people are required for the installation work.

Note

Check the installation dimensions before installation. The intermediate panel and side wall of the kitchen unit must be perpendicular to each other.

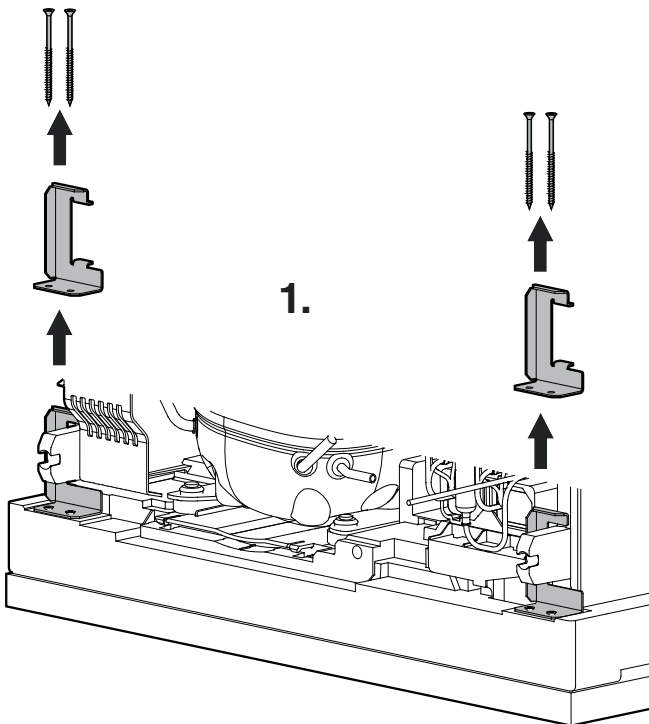
WARNING!

Fire hazard due to dampness!

If live parts or the mains power cable become damp this may cause short circuits.

- The appliance is designed for use in enclosed areas. Do not operate the appliance outdoors or in areas where it is exposed to splash water or damp conditions.
- Only use the appliance when it is installed.

1. EWT 3553 - Remove the transportation safety component.



2. Route the mains cable towards the socket.

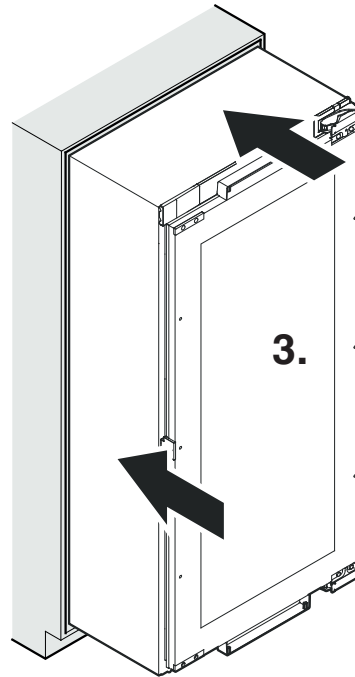


WARNING!

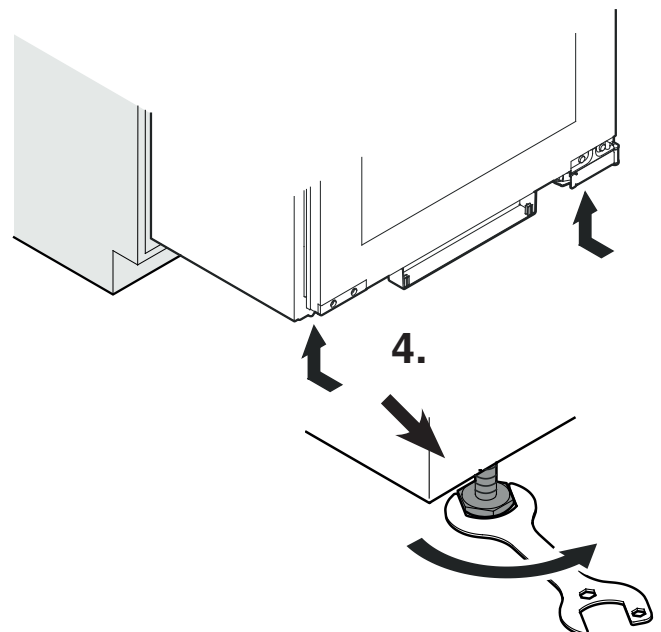
Fire hazard from short-circuiting!

- When pushing the appliance into the recess, take care not to crush, jam or damage the mains power cable.
- Do not operate the appliance with a defective mains power cable.

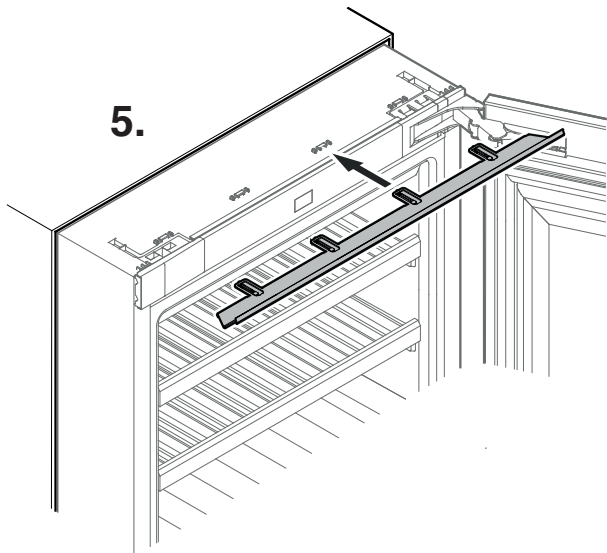
3. Slide the appliance two-thirds of the way into the kitchen unit. When sliding in the appliance, make sure that the mains cable is not damaged.



4. Screw in the adjustable feet as far as they will go.

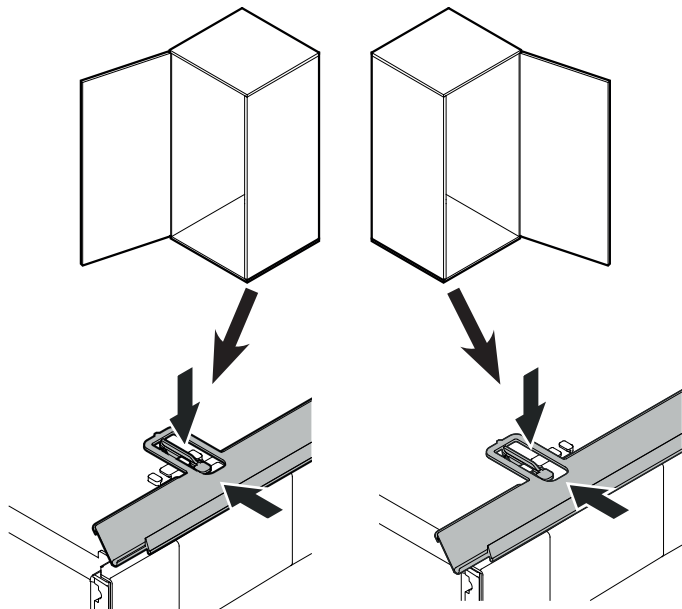


5. Fit cover profile.

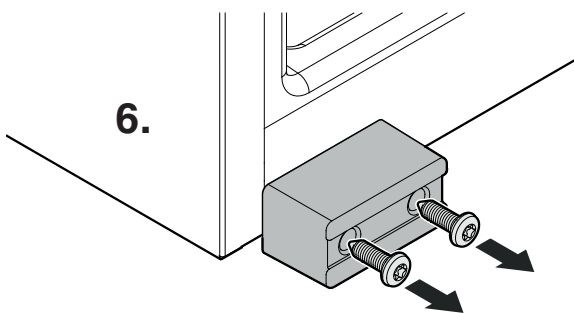


On appliances with hinges on the left

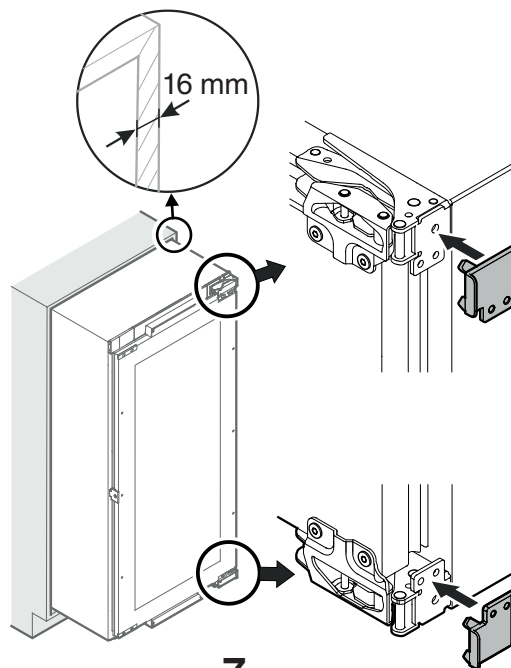
On appliances with hinges on the right



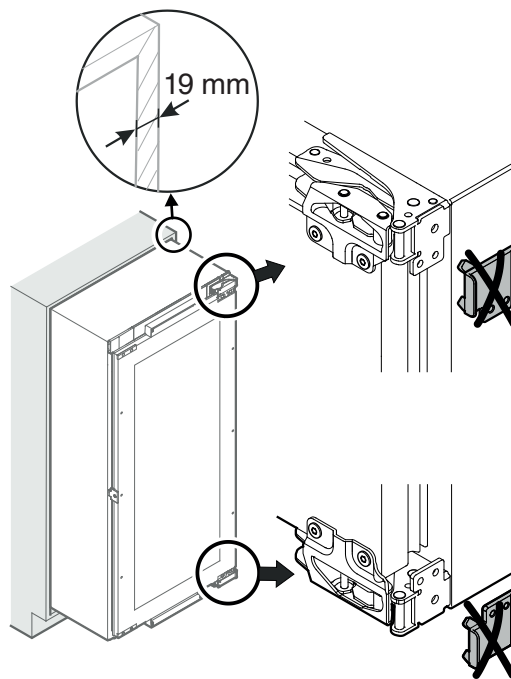
6. Remove the transportation safety component.



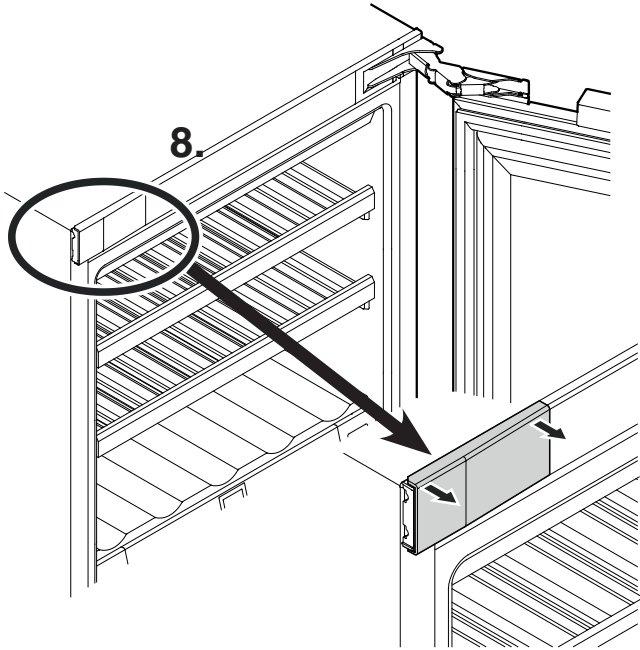
7. Only if the wall thickness is less than 19 mm: Fit the spacers.



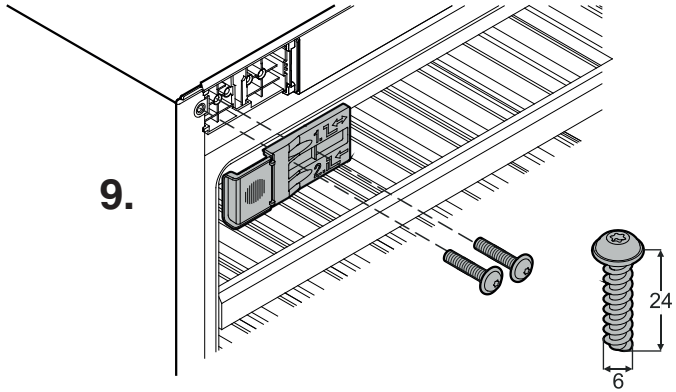
7.



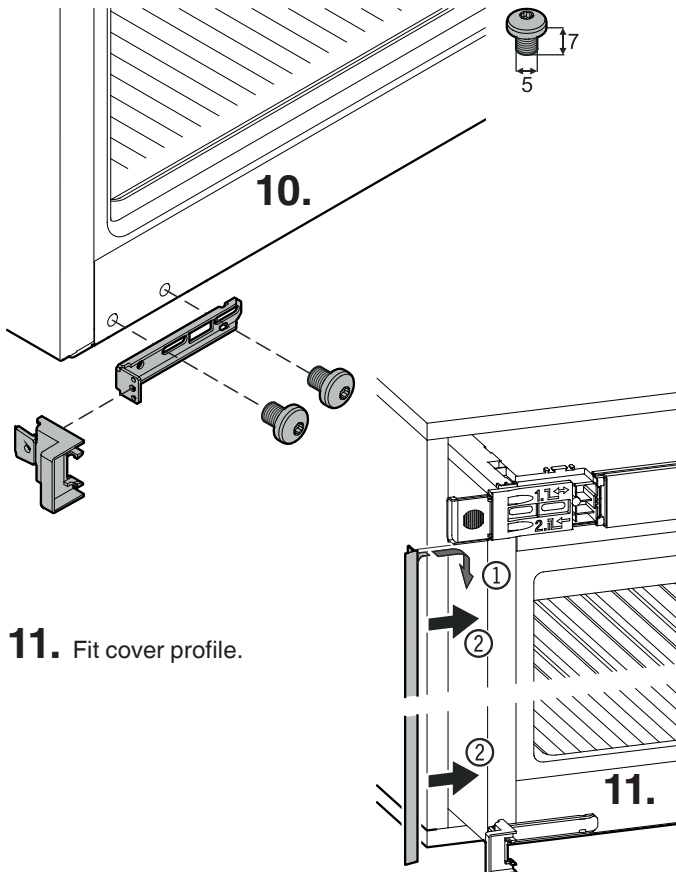
8. Remove cover.



9. Screw on the attachment bracket.



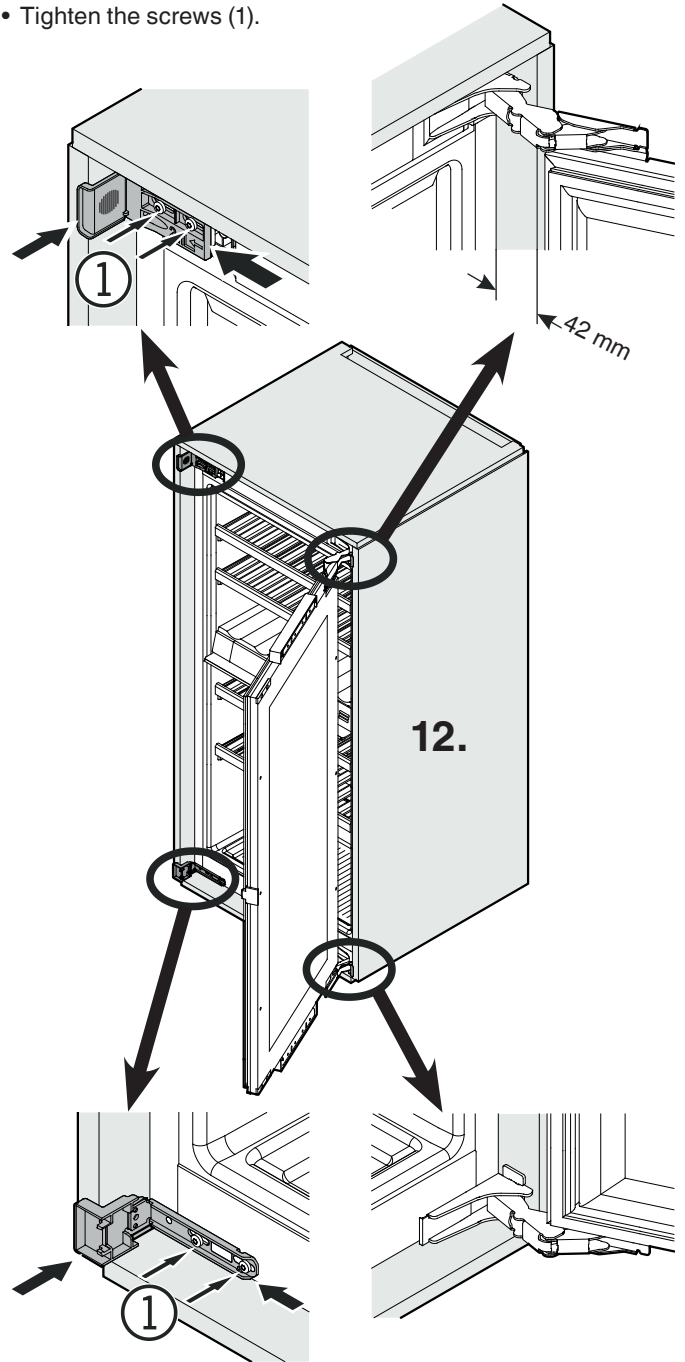
10. Screw on the attachment bracket.



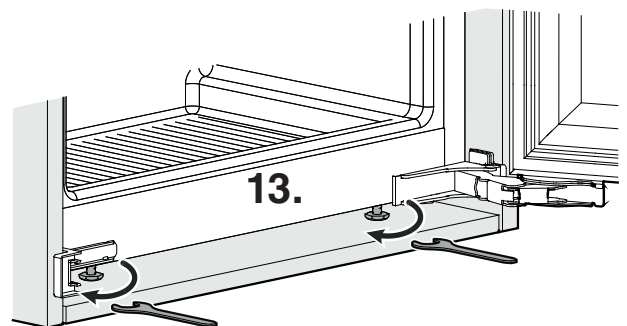
11. Fit cover profile.

12. Slide the appliance fully into the recess. Check that the distance is identical all the way round.

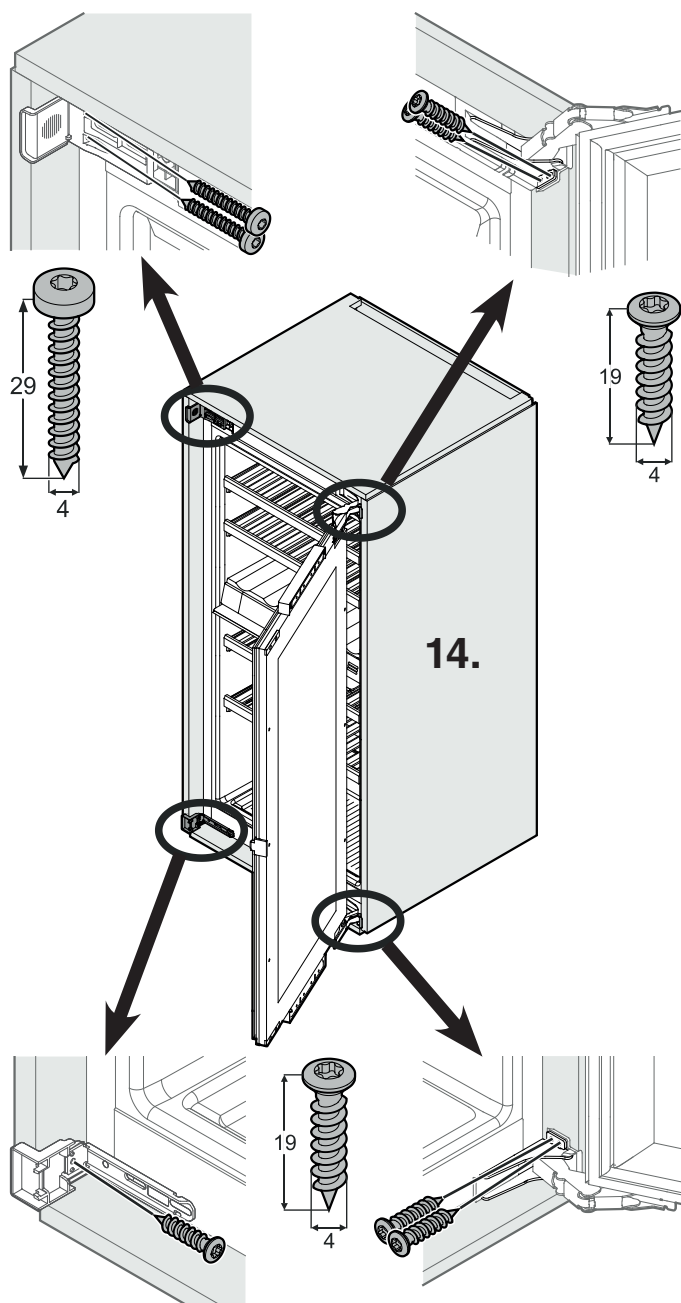
- Undo the screws (1).
- Slide bracket towards the unit wall.
- Tighten the screws (1).



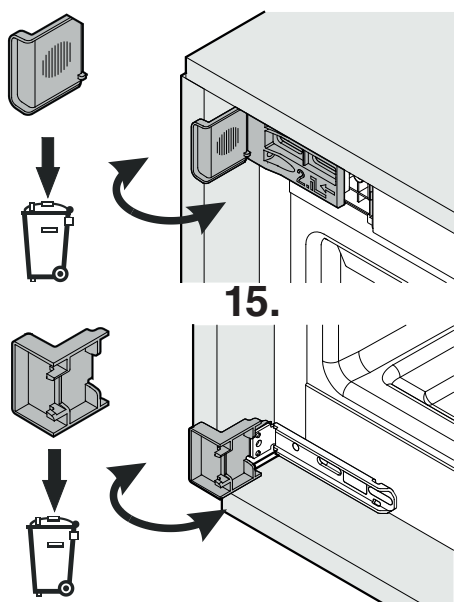
13. Adjust appliance via the adjustable feet.



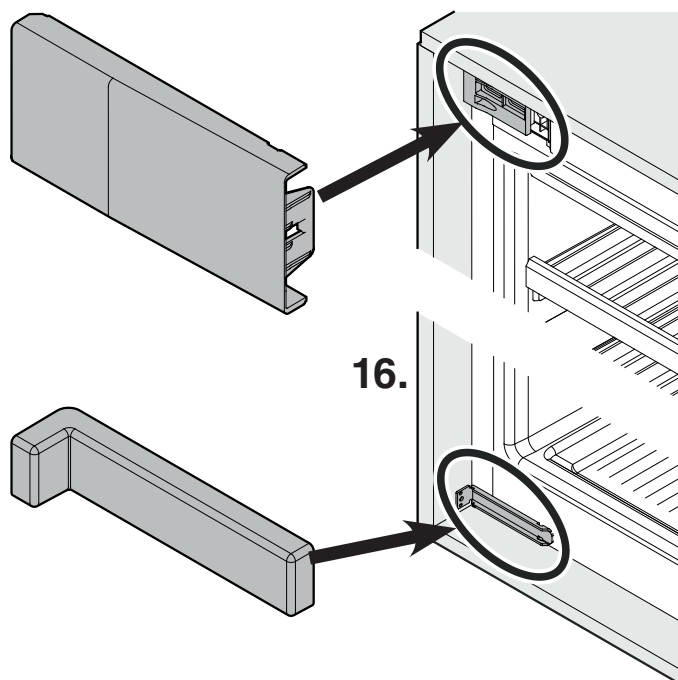
14. Secure the appliance to the kitchen unit using screws through the hinges and attachment brackets.



15. Snap off and remove the front part of the stop bracket.

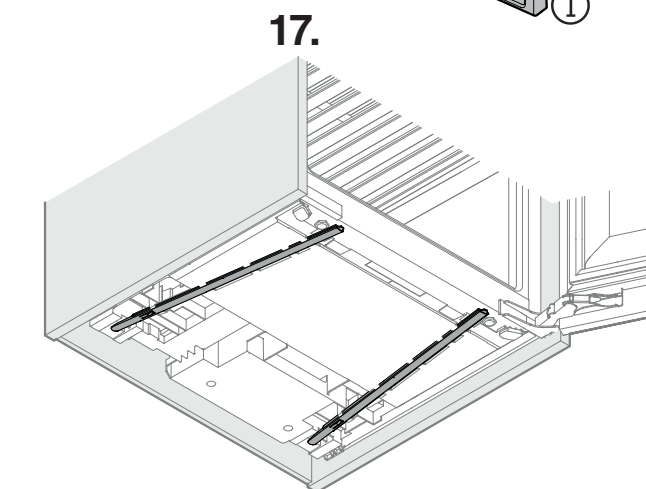
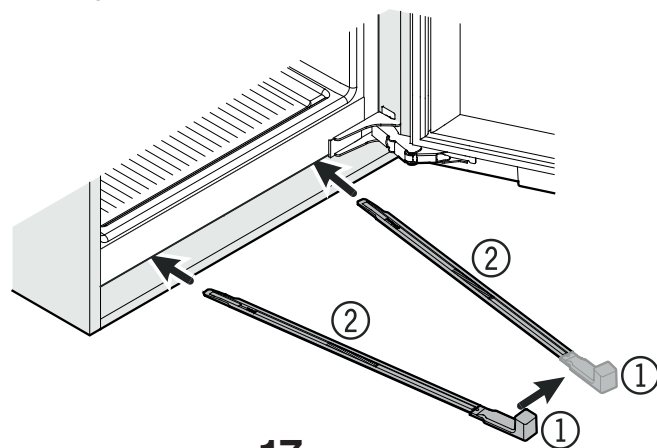


16. Fit the covers.



17. Stabilise the appliance at the back at the bottom:
Fit the handle (1) to the stabilising rail (2) and slide the stabilising rail into the floor of the appliance.

Remove the handle and repeat this procedure with the second stabilising rail.



Notice

The clearance may only be adjusted using the panel, not the door hinges!

Check that the door is securely fitted to the appliance and closes properly.

Installation is now complete.



Liebherr Hausgeräte Lienz GmbH

Dr.-Hans-Liebherr-Strasse 1

A-9900 Lienz

Österreich

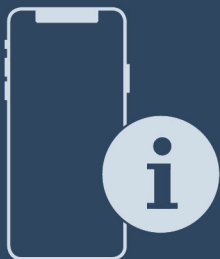
www.liebherr.com





Installation Guide

Quality, Design and Innovation



home.liebherr.com/fridge-manuals




LIEBHERR


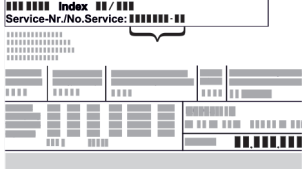




General safety instructions

Contents

1	General safety instructions.....	2
2	Setup conditions.....	3
2.1	Space.....	3
2.2	Setting up multiple appliances.....	3
2.3	Electrical connection.....	3
3	Appliance dimensions.....	4
4	Recess dimensions.....	4
4.1	Internal dimensions.....	4
5	Ventilation requirements.....	5
6	Custom panel weights.....	5
6.1	Weight.....	5
7	Transporting the appliance.....	6
8	Unpacking the appliance.....	6
9	Setting up the appliance.....	6
9.1	After setup.....	6
10	Disposal of packaging.....	6
11	Explanatory symbols used.....	6
12	*** freezer compartment door*.....	7
12.1	Moving the door hinge.....	7
13	Reversing the door.....	8
14	Water connection*.....	10
15	Connect the water supply.....	10
16	Fit the appliance into the recess.....	11
17	Cabinet fronts.....	17
17.1	Dimensions.....	17
17.2	Mounting the cabinet front(s).....	18
17.3	Setting the clearance to avoid collision.....	18
18	Water tank.....	19
18.1	Inserting the water tank.....	19
19	Water filter.....	19
19.1	Installing the water filter.....	19
20	Connecting the appliance.....	19

The manufacturer is constantly working to improve all types and models. Therefore, please be aware that we reserve the right to make changes to the shape, equipment and technology.

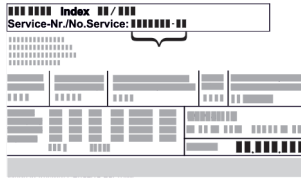
Symbol	Explanation
	Read instructions Please read the information in these instructions carefully to understand all of the benefits of your new appliance.

Symbol	Explanation
	Full instructions on the internet You can find detailed instructions on the internet using the QR code on the front of these instruction or by entering the service number at home.liebherr.com/fridge-manuals . The service number can be found on the serial tag:  <i>Fig. Example illustration</i>
	Check appliance Check all parts for transport damage. If you have any complaints, please contact your agent or customer service.
	Differences These instructions apply to a range of models, so there may be differences. Sections that apply to certain models only are indicated by an asterisk (*).
	Instructions and results Instructions are marked with a ▶. Results are marked with a ▷.
	Videos Videos about the appliances are available on the YouTube channel of Liebherr-Hausgeräte.

1 General safety instructions

- Please keep this assembly manual in a safe place so you can refer back to it at any time.
- If you pass the appliance on, please hand this assembly manual to the new owner.
- Read this assembly manual before installation and use in order to use the appliance safely and correctly. Follow the instructions, safety instructions and warning messages included at all times. They are important for ensuring you can operate and install the appliance safely and without any problems.
- First read the general safety instructions in the “General safety instructions” section of the **operating instructions**, which accompany these installation instructions, and follow them. If you cannot find the **operating instructions**, you can download the **operating instructions** from the internet by entering the service number at home.liebherr.com/fridge-manuals. The

service number can be found on the serial



tag:

- **Observe the warning messages and other detailed information in the other sections when installing the appliance:**

	DANGER	indicates a hazardous situation, which if not avoided, will result in death or serious injury.
	WARNING	indicates a hazardous situation, which if not avoided, could result in death or serious injury.
	CAUTION	indicates a hazardous situation, which if not avoided, will result in minor or moderate injury.
	NOTICE	indicates a hazardous situation, which if not avoided, could result in damage to property.
	Note	indicates useful advice and tips.

2 Setup conditions

WARNING

Risk of fire due to moisture!

If live parts or the power cord get wet, this can cause a short circuit.

- ▶ The appliance is designed for use in enclosed spaces. Do not operate the appliance in open space or in damp areas or where there is spray.

Normal use

- Only set up and use the appliance in enclosed spaces.
- Only use once installed.

2.1 Space

WARNING

Leaking refrigerant and oil!

Fire. The refrigerant contained within the appliance is environmentally friendly, but flammable. The oil contained within the appliance is flammable. Escaping refrigerant and oil can ignite if they are of high enough concentration and are exposed to an external heat source.

- ▶ Do not damage the pipelines of the coolant circuit and the compressor.

- If the appliance is installed in a very damp environment condensate water may form on the outside of the appliance.

Always make sure the installation area is well ventilated.

- The more refrigerant is in the appliance, the larger the room must be where the appliance is located. In the case of a leak, a flammable gas-air mixture may be created in a room that is too small. For every 8 g of refrigerant, the installation space must be at least 1 m³. Specifications regarding the refrigerant contained within the appliance can be found on the rating plate inside the appliance.

2.1.1 Installation surface

- The floor of the installation site must be horizontal and level.
- If the floor is not completely even, level the cabinet with supports.

2.1.2 Installation position

- Do not install the appliance in direct sunlight or next to an oven, heater, or similar heat source.
- Only install the appliance in solid cabinets.

2.2 Setting up multiple appliances

NOTICE

Risk of damage caused by water condensate!

- ▶ Do not install this device directly beside another fridge/freezer compartment.

NOTICE

Risk of damage caused by water condensate!

- ▶ Do not stack the appliance directly on top of another.

These appliances are designed for different types of installation. Only combine appliances if the appliances are designed for this. The following table shows the installation options by model:

Setup type	Model
Single	All models
Side-by-Side (SBS)	Model that start with S...
Stacked	Models up to maximum recess height of 880 mm and with heated top can be "stacked". Top appliance: to the max. recess height of 140 mm

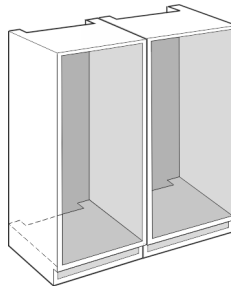


Fig. 1

Install each appliance into its own recess.

2.3 Electrical connection

WARNING

Improper use!

Fire. If a power cable/plug comes into contact with the back of the appliance, the power cable/plug can be damaged by appliance vibrations and this may result in a short circuit.

- ▶ Install the appliance so that it does not touch any plugs or power cables.
- ▶ Do not connect any appliances to sockets in the area of the back of the appliance.
- ▶ Multi-sockets/power distributors and other electronic appliances (such as halogen transformers) may not be placed and operated at the back of appliances.

Appliance dimensions

3 Appliance dimensions

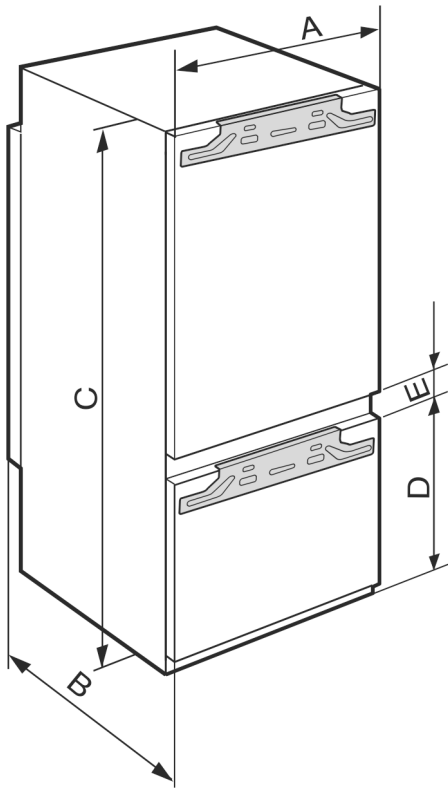


Fig. 2

	A (mm)	B (mm)	C (mm)	D (mm)	E (mm)
ICB/b/c/i/d/ 51..	559	546	1770	549	15
IC/e/d 51..				695	
S/ICN/c/f/d/e/i 51.. ICBN/c/e/l/d/h 51..					

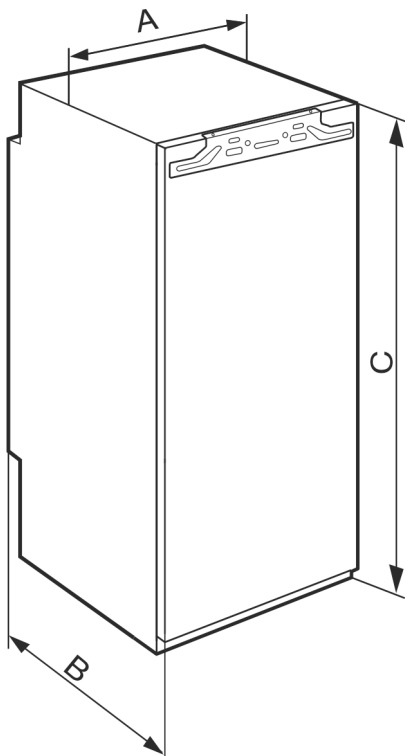


Fig. 3

	A (mm)	B (mm)	C (mm)
IFNe 35..	559	546	712
IR/f/e/d/c 39.. SIBa 39.. S/IFN/e/d 39..			872
IRe 40.. IRBd 40..			1022
IR/e/d 41.. IRB/b/d/i 41.. SIFNd 41..			1213
IRe 45.. IRBd 45.. SIFNd 45..			1395
IRBe 48..			1572
IR/f/e 51.. IRe 1784 IRD/c/e/d/i/ 51.. IRB/P/d/e/hi/ di 51.. SIFn/f/h/e/i 51..			1770

4 Recess dimensions

4.1 Internal dimensions

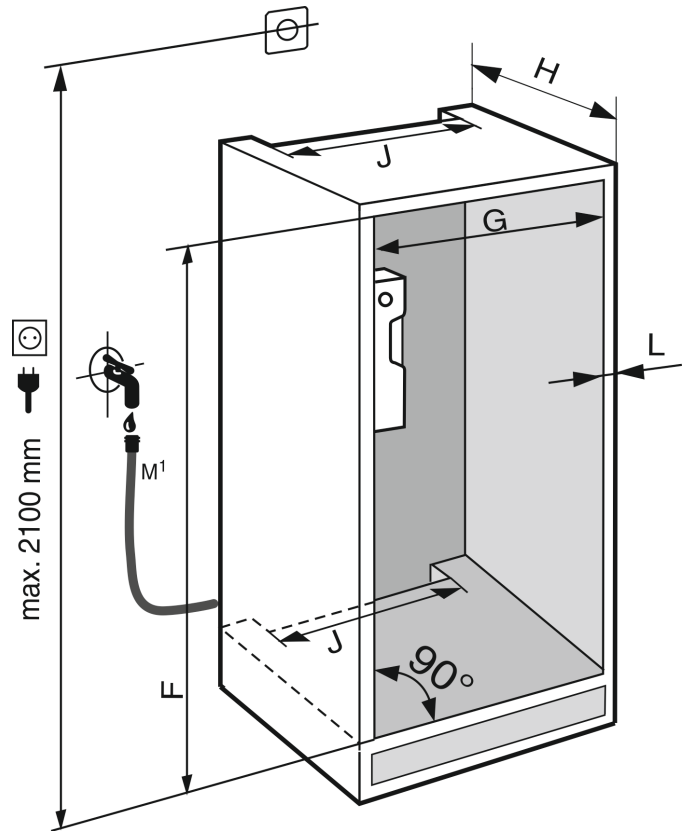


Fig. 4 *

M¹⁾: Only IRBdi 5180/5190, ICNdi 5173, ICBNd/i 5163/73/83, ICBdi 5182*

	F (mm)*	G (mm)*	H (mm)*	J (mm)*	L (mm)*
IFNe 35..	714 -730				
IR/f/e/d/c 39.. SIBa 39.. IF/Se 39.. S/IFNe/d 39..	874 – 890				
IRe 40.. IRBd 40..	1024 – 1040				
IR/e/d 41.. IRB/b/d/i 41.. SIFNd 41..	1216 – 1236				
IRe 45.. IRBd 45.. SIFNd 45..	1397 – 1413				
IRBe 48..	1574 – 1590	560 – 570	min. 550, recom- mended 560	min. 500	max. 19
IR/f/e 51.. IRe 1784 IRD/c/e/d /i/ 51.. IC/e/d 51.. S/ICN/c/f /d/e/i 51.. ICB/N/c/e/l/d/h 51.. IRB/P/di/d/e 51.. SIFN/Sf/e /ei/h/hi/ 51..	1772 – 1788				

The specified energy consumption was determined with a kitchen unit depth of 560 mm. The appliance will work properly at a kitchen unit depth of 550 mm, but with a slightly higher energy consumption.

- ▶ Check the wall thickness of adjacent cabinets: It must be min. 16 mm.
- ▶ Only install the appliance in solid, fixed kitchen cabinets. Ensure that the cabinets cannot tip over.
- ▶ Align the cabinets with a spirit level and a try square. If necessary, level them by putting something underneath them.
- ▶ Ensure that the floor and the side panels of the cabinet are at right angles to each other.

5 Ventilation requirements

NOTICE

Covered vents!

Damage. Appliance can overheat, which can reduce the service life of various parts of the appliance and lead to functional impairments.

- ▶ Always ensure good ventilation.
- ▶ Always keep vents or ventilation grills in the appliance housing and in the kitchen structure (built-in appliance) unobstructed.
- ▶ Never block air vents of the fan.

Comply with the ventilation gaps:

- The depth of the ventilation shaft on the back wall of the cabinet must be at least 38 mm.
- At least 200 cm² is required for the ventilation cross-sections below the unit at its base and above the unit in the surrounding cabinet.
- Basically, the larger the ventilation cross-section, the more efficiently the appliance will run.

Sufficient ventilation is required for the appliance to operate correctly. The pre-fitted vents ensure an effective air-flow cross-section on the appliance of 200 cm². If you replace the vents with a cover panel, it must have at least an equal or larger air-flow cross-section than the manufacturer's vent.

6 Custom panel weights

6.1 Weight

NOTICE

An excessively heavy custom panel can potentially cause damage!

If the custom panel is too heavy, damage to the hinges cannot be ruled out, which may compromise the functionality of the unit.

- ▶ Before installing the custom panel, ensure the custom panel does not exceed the permissible weight.

Recess heights (cm)*	Appliance type*	Maximum weight of the custom panel (kg)*
72	IF..35..	16
88	IR..39.. SIB...39.. IF..39..	16
102	IR...40..	13
122	IR...41.. SIF..41..	19
140	IR...45.. SIF..45..	21
158	IR...48..	22
178	IR...51.. SIF..51..	26

Single-door fridges and freezers

Transporting the appliance

Recess heights (cm)*	Appliance type*	Maximum weight of the custom panel (kg)*	
		Fridge compartment door*	Freezer compartment door*
178	S / IC...51	18	12

Combinations

7 Transporting the appliance

- ▶ Transport the appliance in its packaging.
- ▶ Transport the appliance upright.
- ▶ Use two people when transporting the appliance.

8 Unpacking the appliance

If the appliance is damaged check with the supplier immediately before connecting it.

- ▶ Check the appliance and packaging for damage during transport. If you suspect any damage, please contact your supplier immediately.
- ▶ Remove all materials that could prevent it from being installed properly or prevent proper ventilation from the back or the side panels of the appliance.
- ▶ Remove all protective films from the appliance. Do not use sharp or pointed objects for this.
- ▶ Remove the mains cable from the back of the appliance. Also remove the cable holder, otherwise there will be vibration noise!

9 Setting up the appliance



CAUTION

Risk of personal injury!

- ▶ Have two people move this appliance into place.



WARNING

Unstable appliance!

Risk of injury and damage. The appliance can tip over.

- ▶ Secure the appliance according to the operating instructions.



WARNING

Danger of fire and damage!

- ▶ Do not place devices that give off heat, e.g. microwaves, toasters, etc. on the appliance.

If possible, have a professional install the appliance in your kitchen cabinet unit.

Do not install the appliance without assistance.

9.1 After setup

- ▶ Remove all transport packaging.

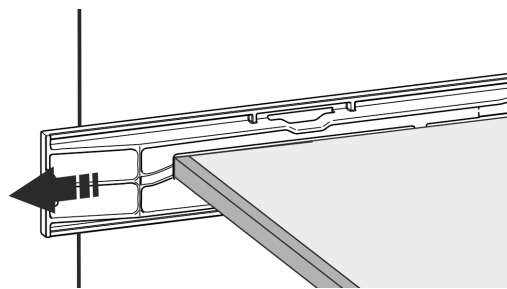
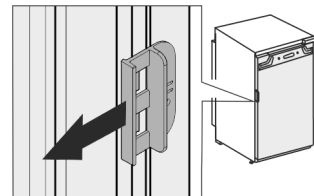
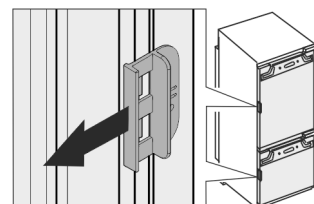


Fig. 5



- ▶ Pull off the transport lock on the appliance door.



- ▶ Clean the appliance (see User Guide, Cleaning the appliance).

10 Disposal of packaging



WARNING

Danger of suffocation from packaging materials and films!

- ▶ Do not allow children to play with packaging materials.

The packaging is made from recyclable materials:

- Corrugated card/cardboard
- Parts made of foamed polystyrene
- Films and bags from polyethylene
- Packing bands from polypropylene
- Wood frame nailed together with a polyethylene window*





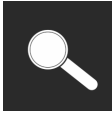


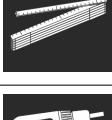



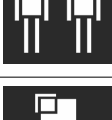



- ▶ Take the packaging material to an official collection point.








11 Explanatory symbols used

	There is the risk of injury when doing this! Obey the safety instructions!
	These instructions apply to several models. Only perform this step if it applies to your appliance.
	To install, please follow the detailed description in the Guide.
	This section applies either to a single-door appliance or a double-door appliance.

**** freezer compartment door*

	Choose one of the options: Appliance with right-hinged door or appliance with left-hinged door.
	Installation step necessary with IceMaker and/or InfinitySpring.
	Loosen or tighten screws slightly.
	Tighten the screws fully.
	Check to see if the next step applies for your model.
	Check the components are in correctly.
	Measure the specified measurement and adjust if necessary.
	Installation tool: Meter stick
	Tool for assembly: Cordless screwdriver and attachments
	Tool for assembly: Spirit level
	Tool for assembly: Size 7 and size 10 spanner
	Two people are required for this step.
	This step takes place at the selected location of the appliance.
	Aid for assembly: String
	Aid for assembly: Square

	Aid for assembly: Screwdriver
	Aid for assembly: Scissors
	Aid for assembly: Non-permanent marker pen
	Accessory kit: Remove components
	Dispose of components that are no longer needed.

12 **** freezer compartment door*

It is very easy to reposition the hinge of the **** freezer compartment door if the main door hinge is swapped. If the main door of the appliance can be opened to more than 115° (1), you can open the freezer compartment without repositioning the hinge. If the opening angle (2) of the appliance door is less than this, the hinge must be repositioned.

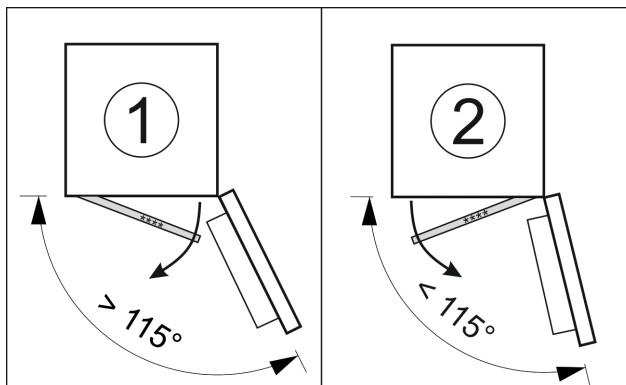


Fig. 6

12.1 Moving the door hinge

The slider for moving the door hinge is located on the back of the **** freezer compartment door at the bottom.

Reversing the door

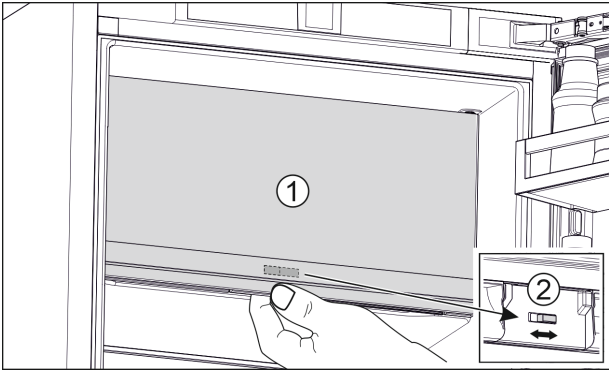


Fig. 7

- ▶ Close the *** freezer compartment door (1).
- ▶ Grab the *** freezer compartment door from below.
- ▶ Move the slider (2) either to the right or to the left.

13 Reversing the door

Tool



Fig. 8

NOTICE

Live parts!

Damage to electrical components.

- ▶ Disconnect the power plug before reversing the door.

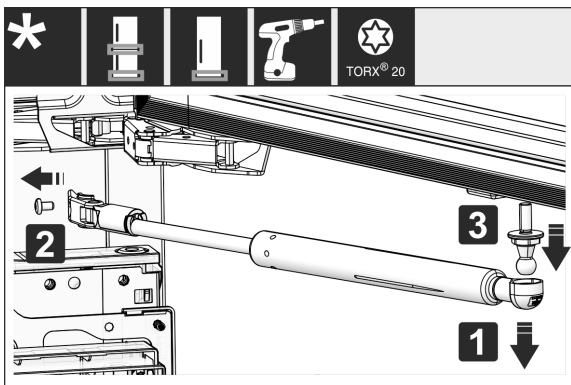


Fig. 9

- ▶ Removing the soft stop damper: Remove the soft stop damper from the ball stud (1). Unscrew the retainer (2). Remove the ball stud with a screwdriver (3).

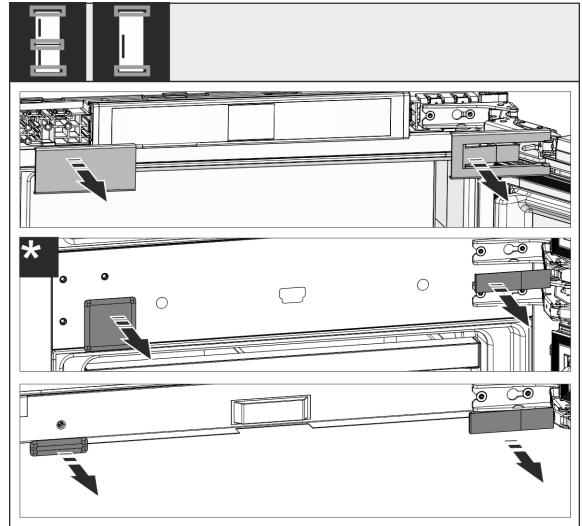


Fig. 10

- ▶ Remove covers.

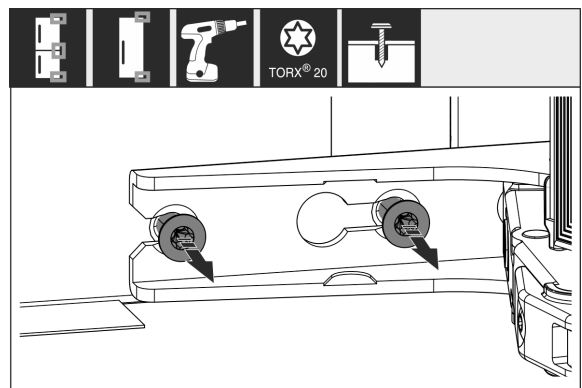


Fig. 11

- ▶ Loosen the screws on **all** hinges but do not remove them.

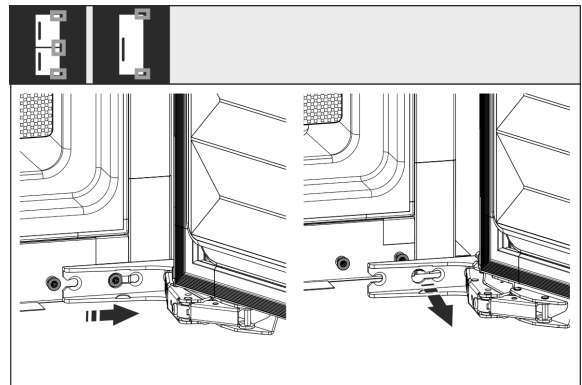


Fig. 12

- ▶ Remove the door: Push the door forward and then out, unhook it and put it to one side.

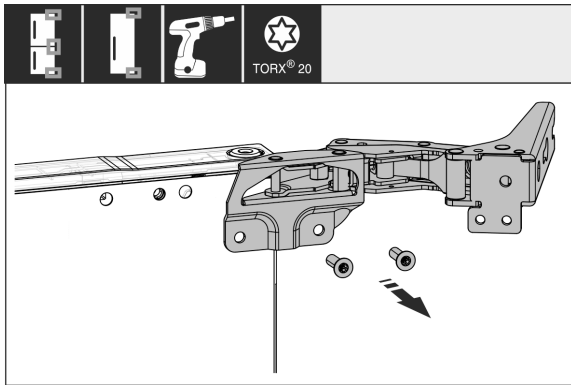


Fig. 13

- Unscrew all hinges and set aside together with the screws.

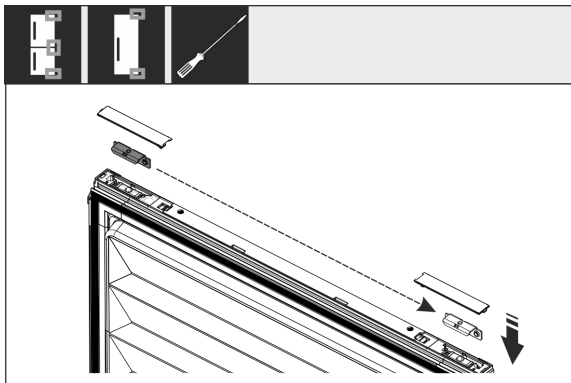


Fig. 14

- Loosen and shift the bracket at the top and bottom of the door. The bracket must be shifted so you can screw on the hinges.

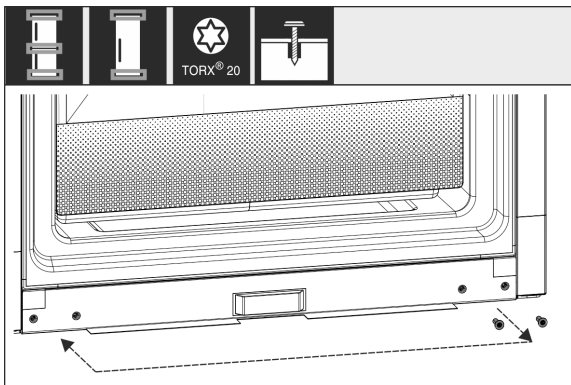


Fig. 15

- Shift the screws to fasten the hinge. Do not screw tightly after shifting - you need to hang the hinges later.

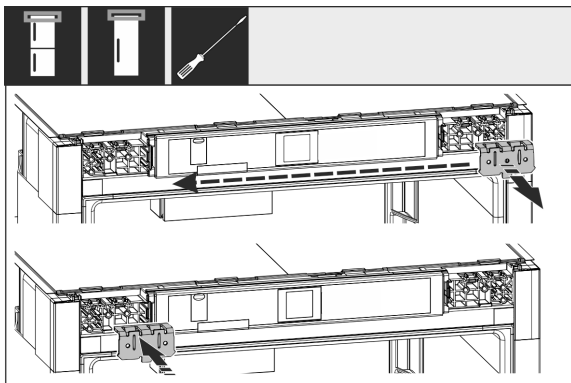


Fig. 16

- Swap the fixing bracket to the opposite side.

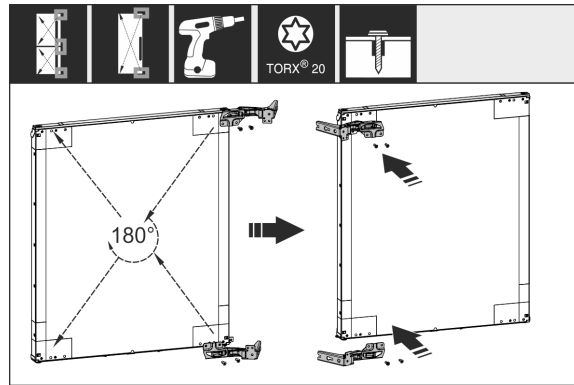


Fig. 17

- Turn all hinges 180° to the opposite side and screw firmly.

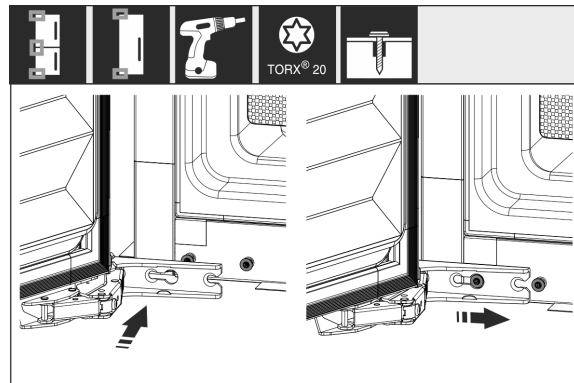


Fig. 18

- Refitting the door: Hang the door with its hinges and tighten the screws.

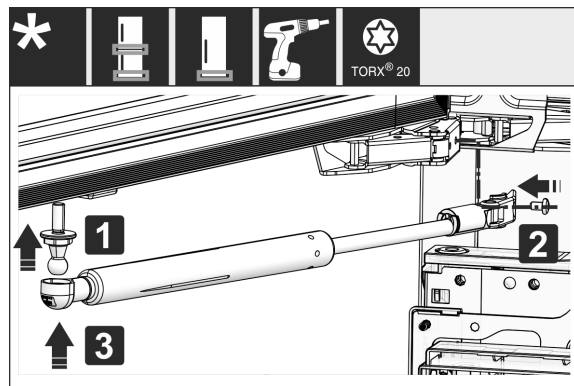


Fig. 19

- Refit the closing dampers: Screw in the ball studs (1), tighten the bracket (2), and hang the closing dampers in the ball studs.
- Check all screws and retighten if necessary.

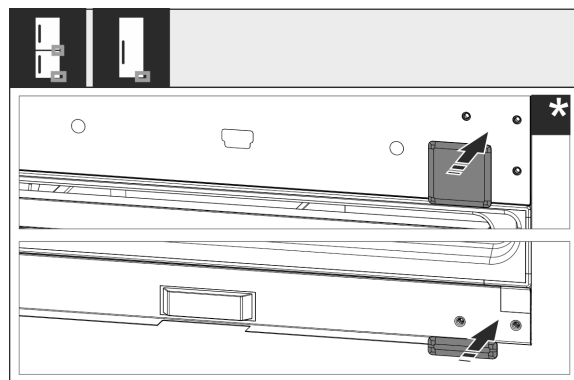


Fig. 20

Water connection*

- ▶ Reassemble the bottom and center cover. Only replace the remaining covers after installing the appliance back into the cabinet.

14 Water connection*



WARNING

Electricity and water!

Electric shock

- ▶ Before connecting to the water hose: Disconnect the appliance from the mains.
- ▶ Before connecting to water lines: Shut off the water supply.
- ▶ The drinking water connection may only be carried out by a qualified gas and water installer.



WARNING

Contaminated water!

Poisoning.

- ▶ Connect to potable water supply only.

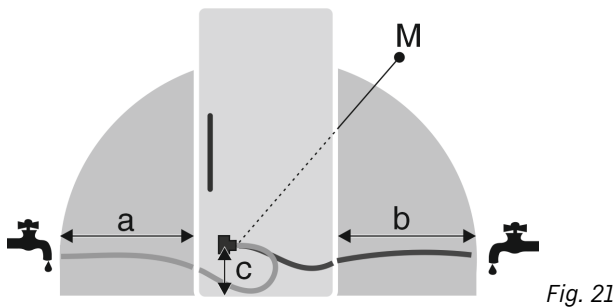


Fig. 21

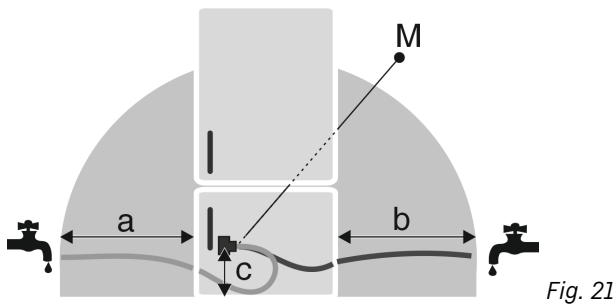


Fig. 21

a	b	c	M
~ 1200 mm	~ 1200 mm	~ 55 mm	Solenoid valve

The appliance's water connection and inlet solenoid valve are suitable for a water pressure of up to 1 MPa (10 bar).

Specifications for proper operation (flow rate, ice cube size, noise level):

Water pressure	
bar	MPa
1.5 to 6.2	0.15 to 0.62

Water pressure if using the water filter:	
bar	MPa
2.8 to 6.2	0.28 to 0.62

If the pressure exceeds 0.62 MPa (6.2 bar): Activate the pressure reducer first.

Ensure that the following conditions are met:

- Water pressure is maintained.
- Water is supplied to the appliance via a cold water pipe that can withstand the operating pressure and is connected to the drinking water supply.
- You are using the supplied hose. Old hoses are disposed of.
- The hose fitting contains a collecting filter with a gasket
- There is a stopcock between the hose and the household connection to shut off the water supply if necessary.
- The stopcock is located outside the back of the appliance and is easily accessible so that the appliance can be far back as possible and the valve can be turned on quickly, if necessary. Distance dimensions are adhered to.
- All equipment and devices used for the water supply comply with the applicable regulations of the country of use.
- The rear of appliance is accessible so that you can connect the appliance to the drinking water supply.
- Do not damage or buckle the hose when setting it up.

15 Connect the water supply

Connect the hose to the appliance

The solenoid valve is located at the bottom of the back of the appliance. Its connecting thread is R3/4.

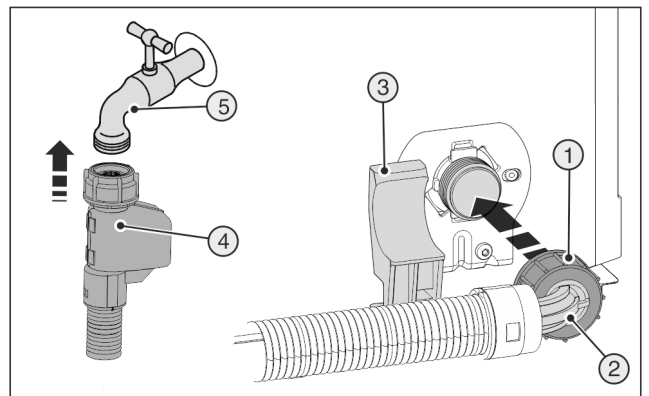


Fig. 22

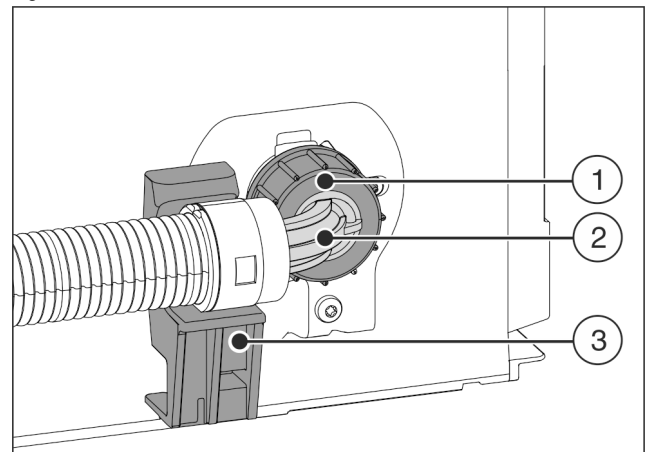


Fig. 23

- ▶ Position and hold the angled hose end Fig. 23 (2) horizontally at the holder Fig. 23 (3).
- ▶ Screw the nut Fig. 23 (1) onto the thread by hand until securely in place.

Connect the hose to the stopcock

- ▶ Connect the straight end of the hose Fig. 22 (4) to the stopcock Fig. 22 (5).

Checking the water system

- ▶ Slowly open the mains stopcock of the water supply. Before installing in the recess:

Fit the appliance into the recess

- ▶ Check the entire water system for leaks.
After installing in the recess:
- ▶ Clean the IceMaker (see User Guide, Maintenance).

Venting the water system

The system should be vented in the following situations:

- Initial commissioning
- Replacement of the InfinitySpring water tank

Make sure that the following requirements are fulfilled

- Appliance is fully installed and connected.
- Water tank is inserted (see Operating instructions, Maintenance).
- Water filter is inserted (see Operating instructions, Maintenance).
- Appliance is switched on.
- ▶ Open the appliance door.
- ▶ Take a glass and press it against the lower part of the InfinitySpring dispenser.
- ▷ The top section moves out and air or water is dispensed into the glass.
- ▶ Continue the process until a steady flow of water pours into the glass.
- ▷ There is no more air in the system.
- ▶ Clean the InfinitySpring (see User Guide, Maintenance).

16 Fit the appliance into the recess

Tool



Supplied installation parts

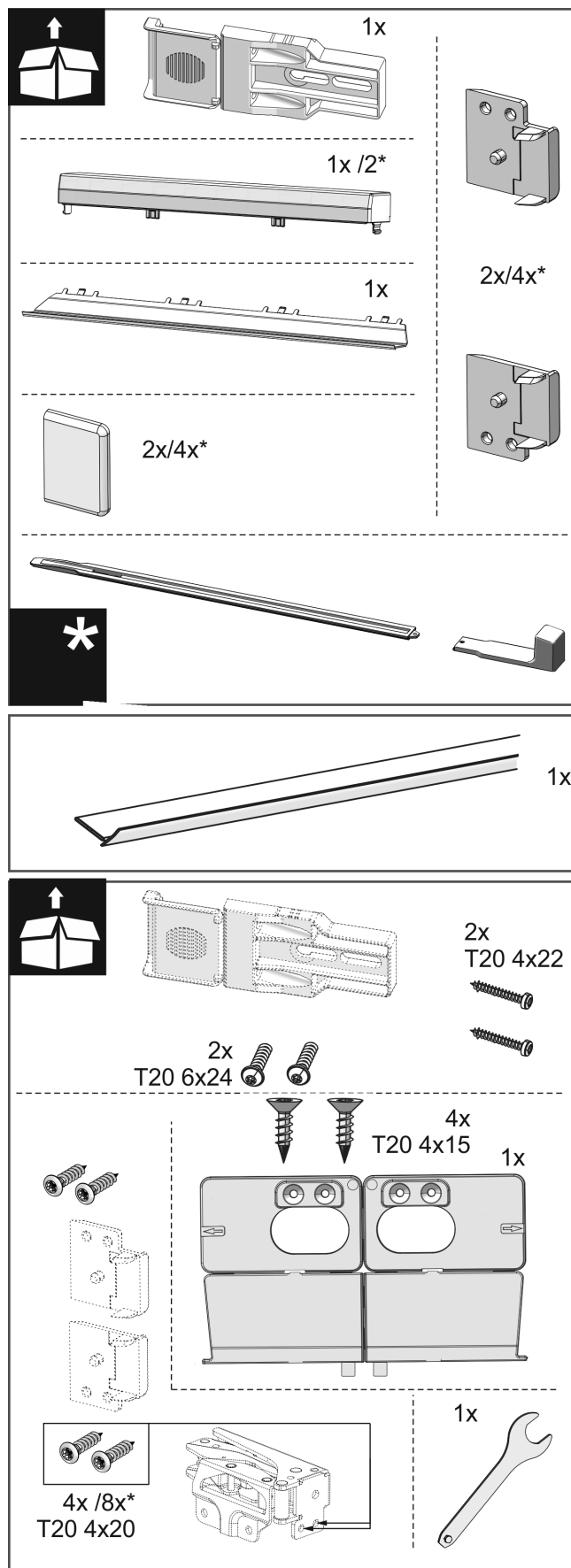


Fig. 24

Fig. 25

Fit the appliance into the recess

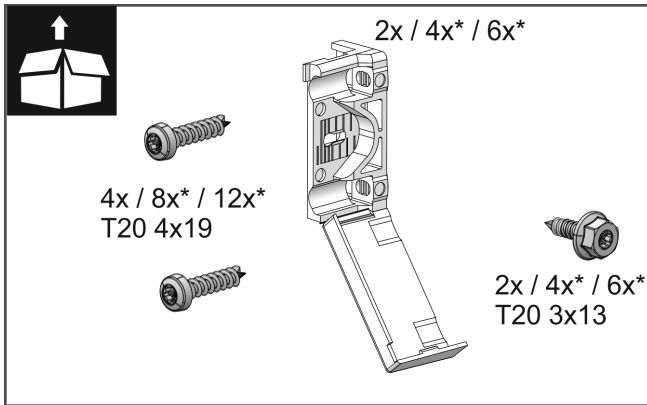


Fig. 26

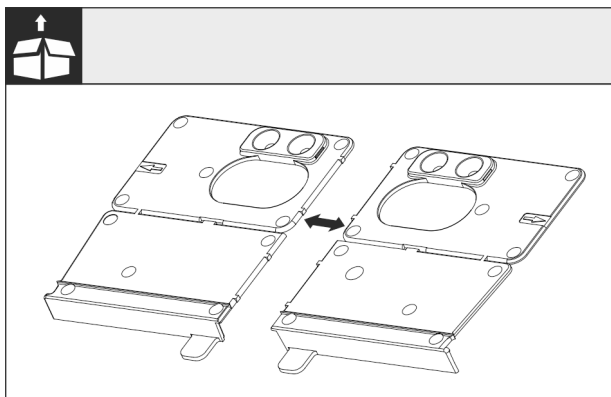


Fig. 27

- ▶ Separate the floor mounting bracket Fig. 27 () at the perforation.

NOTICE

Correct installation depth of the appliance.

- ▶ Using the mounting bracket ensures the correct installation depth of the appliance.

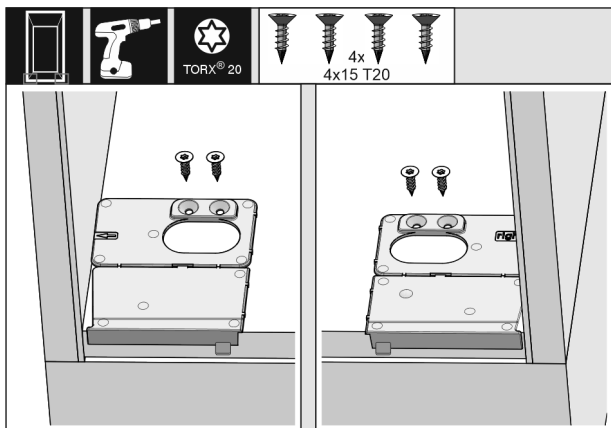


Fig. 28

- ▶ Screw the mounting brackets on the left and right of the recess floor, flush to the side wall.

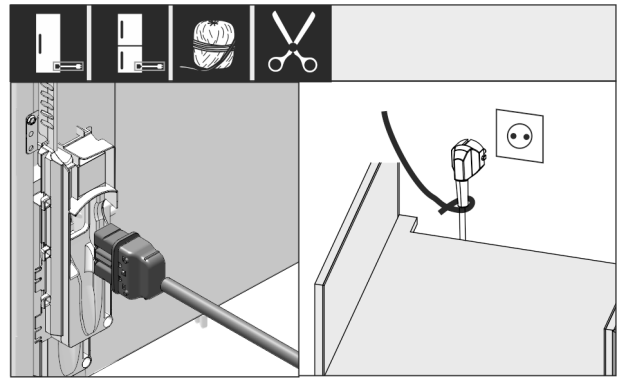


Fig. 29

- ▶ Remove the power cable from the package and plug it into the back of the appliance. Use a cable lug to lay the power plug cord to the accessible socket.

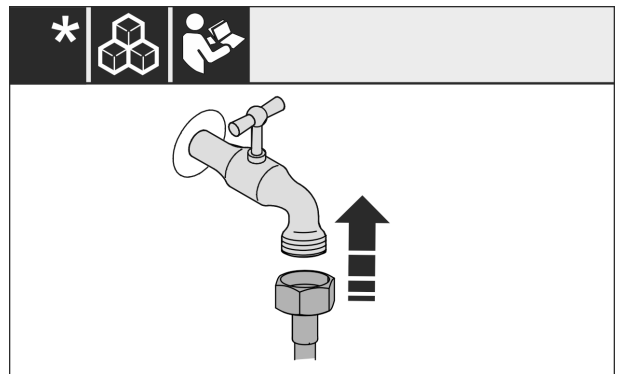


Fig. 30

- ▶ If necessary, install the water connection at this point, following the instructions in the User Guide.

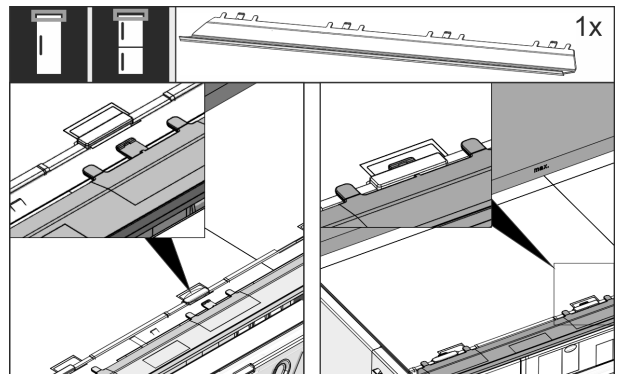


Fig. 31

- ▶ Insert the adapter panel on the top of the appliance. The panel can be moved to both sides.

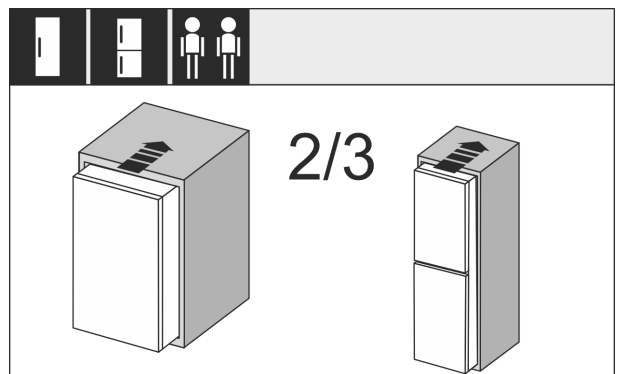


Fig. 32

- ▶ Slide the appliance 2/3 of the way into the cabinet recess.

Fit the appliance into the recess

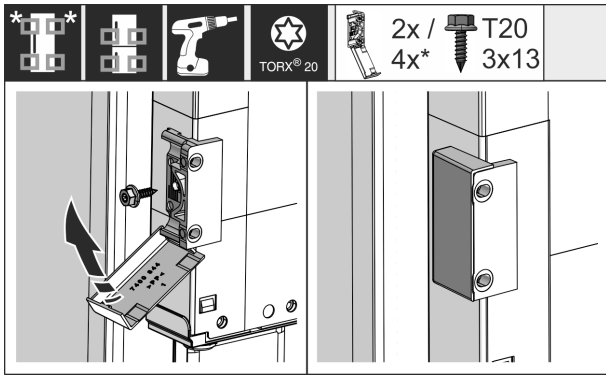


Fig. 33

- ▶ Assemble the mounting bracket. Attach the mounting brackets to align with the cabinet door handles. If the door is large use four mounting brackets in total. After assembly, fold the covers onto the bracket.

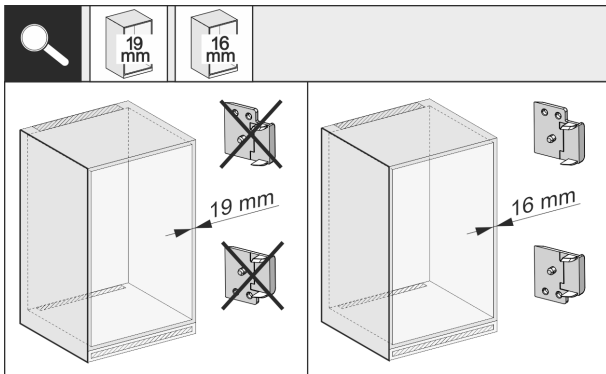


Fig. 34

- ▶ Check whether the unit side wall is 16 mm or 19 mm thick.

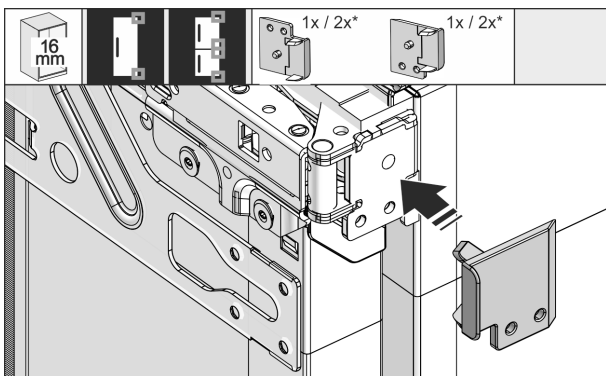


Fig. 35

- ▶ For unit walls which are 16 mm thick: Clip a spacer on all hinges. No spacer is required if the unit walls are 19 mm thick.

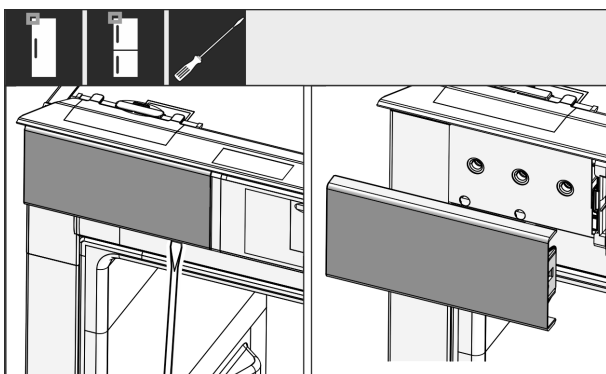


Fig. 36

- ▶ Use a screwdriver to loosen the cover at the top left and then remove it.

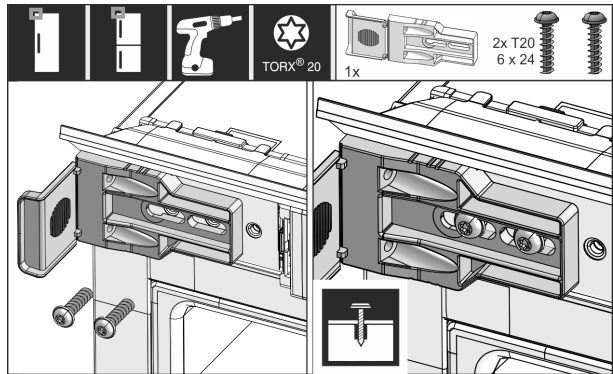


Fig. 37

- ▶ Loosely screw on the mounting bracket. The bracket should still be easy to move.

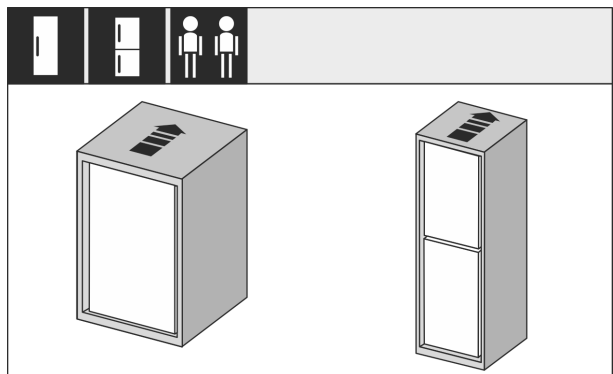


Fig. 38

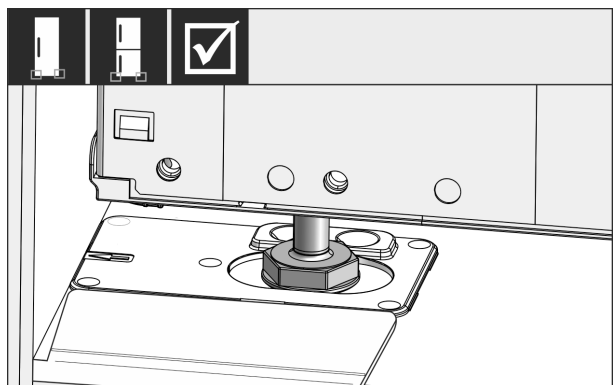


Fig. 39

- ▶ Now insert the appliance all the way into the unit recess. The adjustable feet must rest in the recesses in the brackets on both sides.

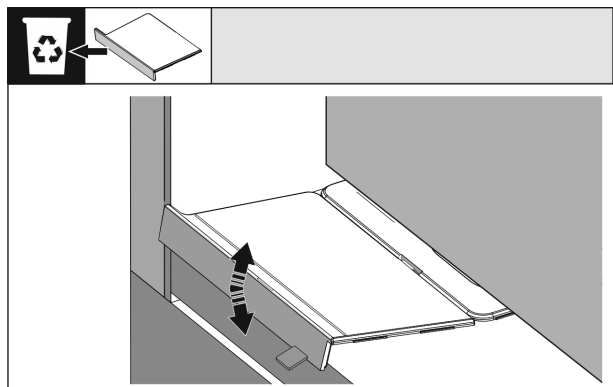


Fig. 40

Fit the appliance into the recess

- ▶ Remove the floor mounting bracket stopper. Loosen the stopper by moving it and, if necessary, pull it off with the help of pliers.

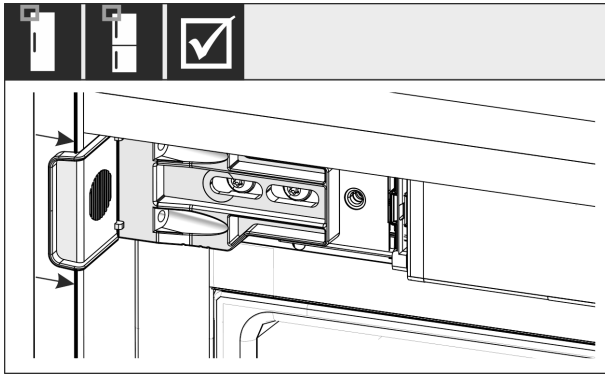


Fig. 41

- ▶ Check that the appliance is flush in the cabinet recess. The mounting bracket must be attached to the side wall of the cabinet recess.

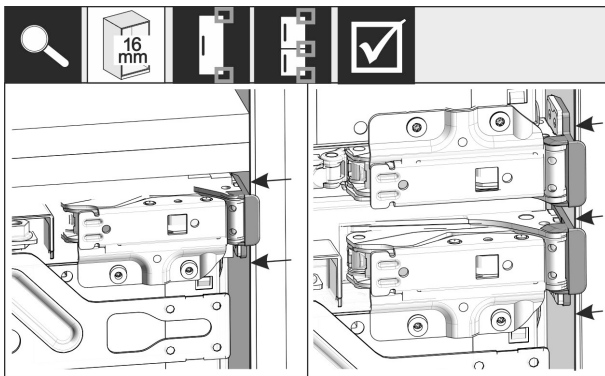


Fig. 42

- ▶ For unit side walls which are 16 mm thick, the spacers fit against the unit recess on the hinge side.

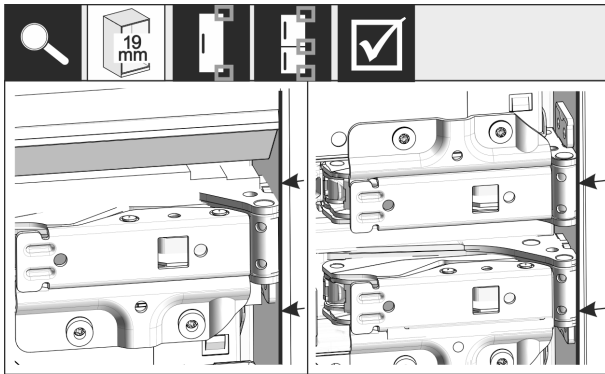


Fig. 43

- ▶ For unit side walls which are 19 mm thick, the front sides of the hinges are positioned flush against the front of the unit side wall.

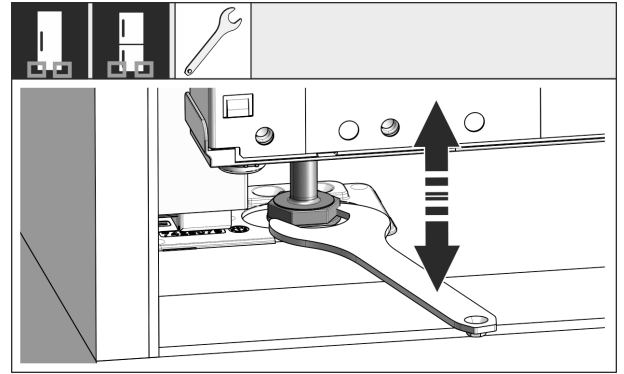


Fig. 44

- ▶ If necessary, level the appliance using the adjusting feet.

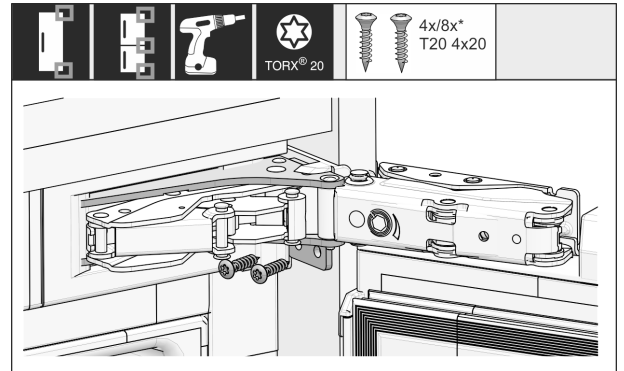


Fig. 45

- ▶ Screw on the appliance on the hinge side.

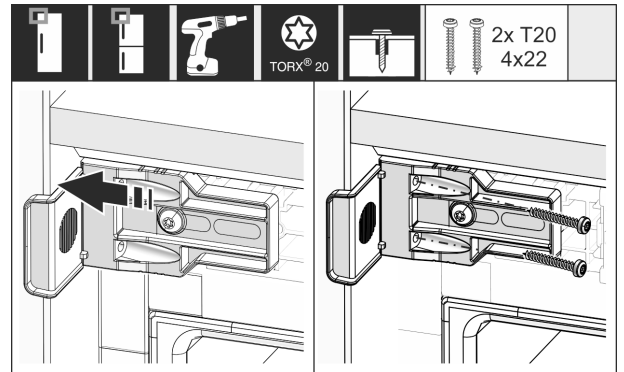


Fig. 46

- ▶ Move the bracket so it sits flush on the side wall of the cabinet recess. Tighten all the screws firmly.

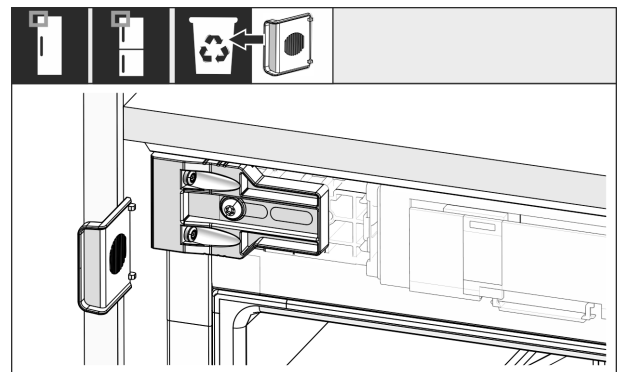


Fig. 47

- ▶ Remove the stop from the bracket on the handle side and dispose of it.

Fit the appliance into the recess

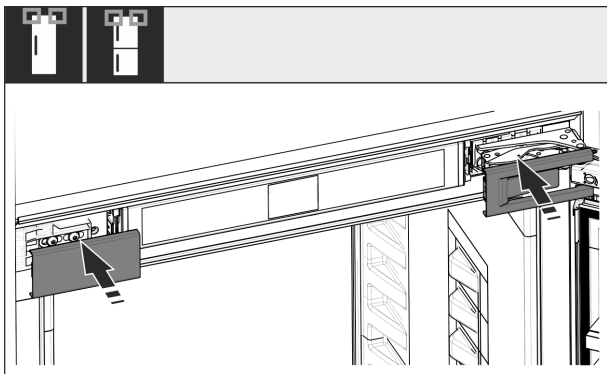


Fig. 48

- ▶ Place the cover.

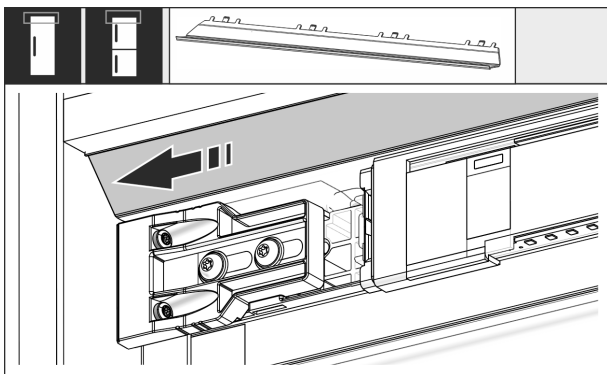


Fig. 49

- ▶ Move the cover panel so it sits flush on the side of the cabinet wall.

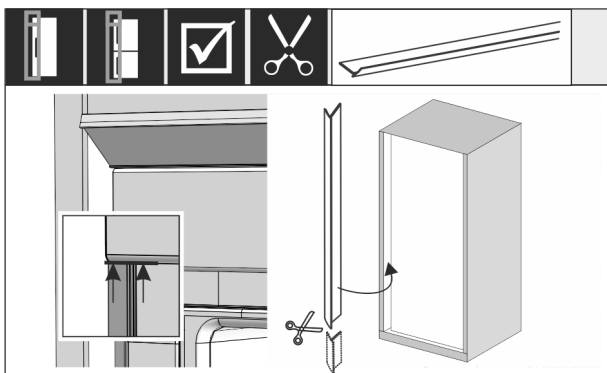


Fig. 50

- ▶ The trim is magnetic. Place the trim below the top cover and press. If necessary, shorten the trim to the required length with a sharp pair of scissors.

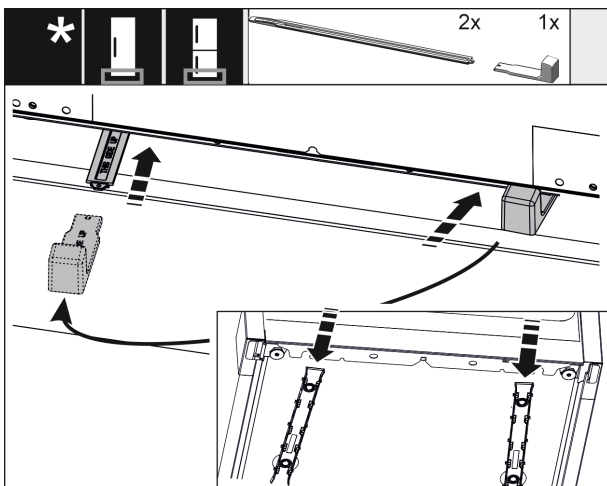


Fig. 51

* Depending on model and options

The height adjustment is only supplied as standard for recess heights of 140 cm and above. It is used for sound optimization. Both parts of the height adjustment are included in the accessory kit.

- ▶ To stabilize the appliance at the back underneath: Fit the handle onto the rail of the height adjustment and push the rail into the appliance base. Remove the handle and do the same with the second rail.

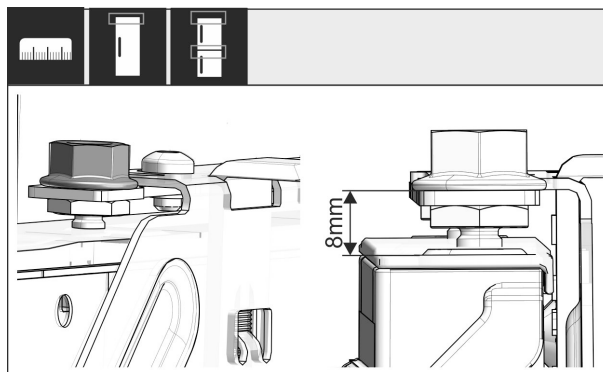


Fig. 52

- ▶ Close the door and check the preset of 8 mm from the upper edge of the appliance door to the crosspiece support

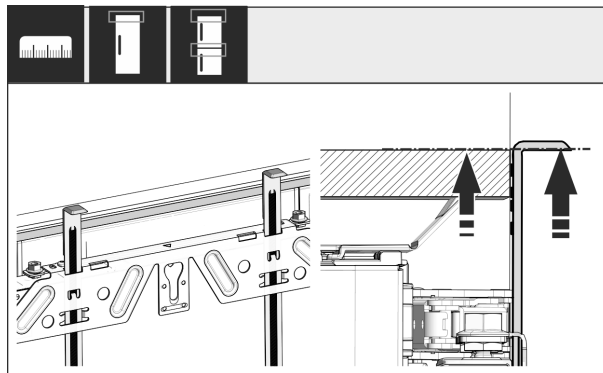


Fig. 53

- ▶ Push up mounting aids to the height of the cabinet door. Bottom stop edge of the fitting aid = top edge of the door to be fitted.

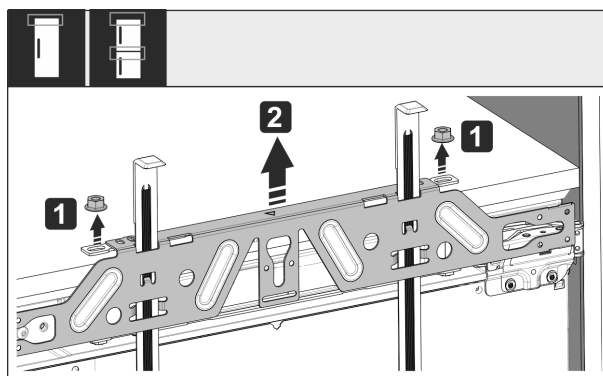


Fig. 54

- ▶ Undo the counter nuts and remove the crosspiece.

Fit the appliance into the recess

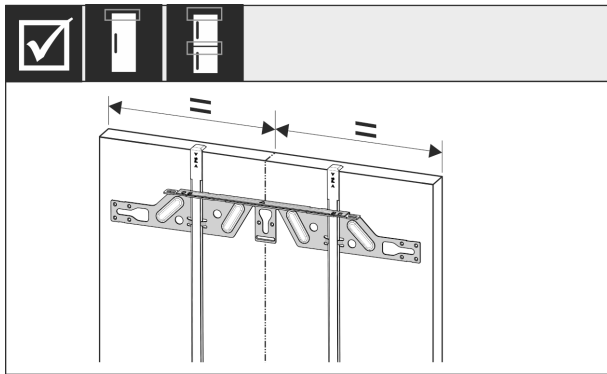


Fig. 55

- ▶ Center-align the crosspiece on the inside of the cabinet door.

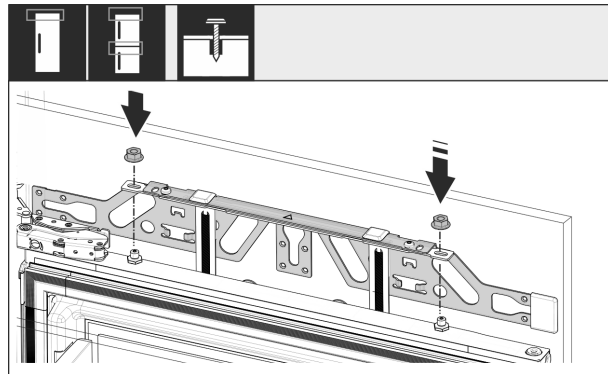


Fig. 59

- ▶ Attach the unit door and loosely screw the lock nuts onto the adjusting bolts.

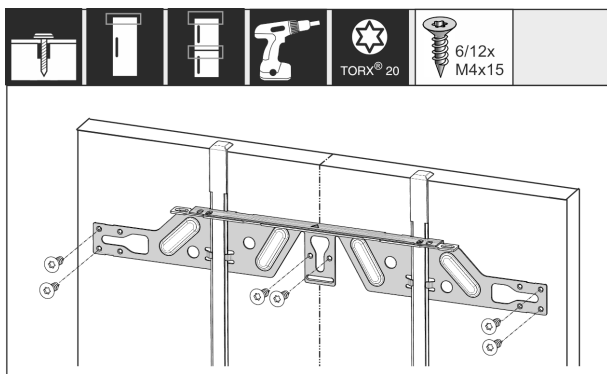


Fig. 56

- ▶ Fix the crosspiece using at least 6 screws for chipboard doors and at least 4 screws for panel doors.

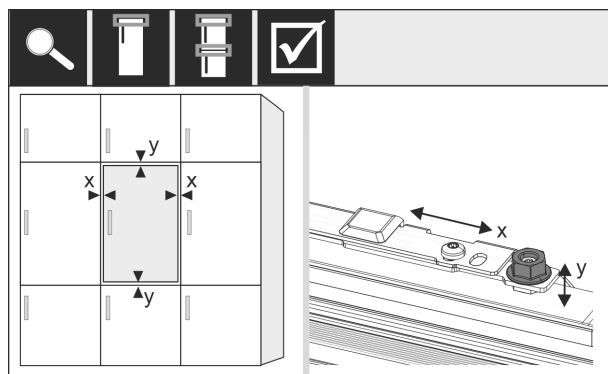


Fig. 60

- ▶ Align the unit door in the X and Y direction using the adjusting bolts.

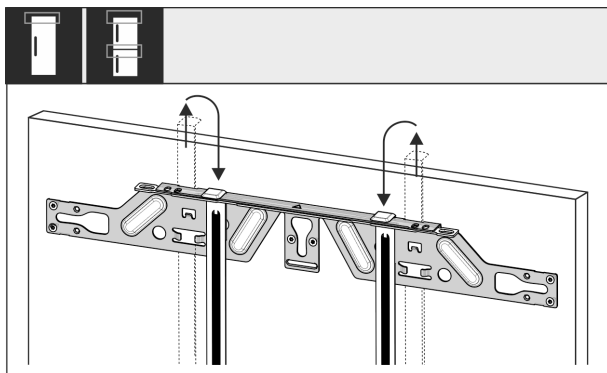


Fig. 57

- ▶ Remove the fitting aids, turn round and insert into the adjacent opening.

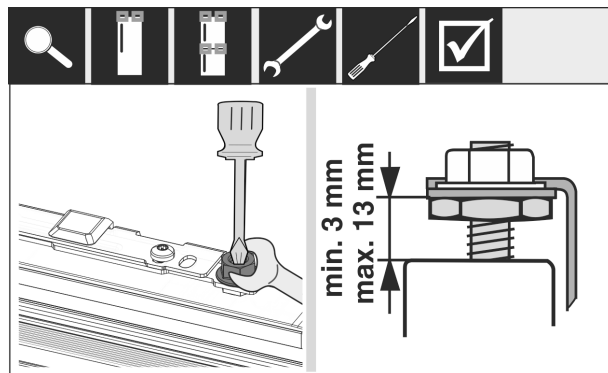


Fig. 61

- ▶ Screw on the lock nuts and check the height.

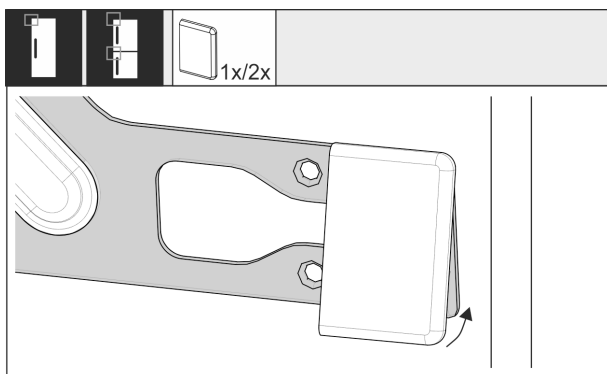


Fig. 58

- ▶ Clip the cover on the crosspiece on the handle side.

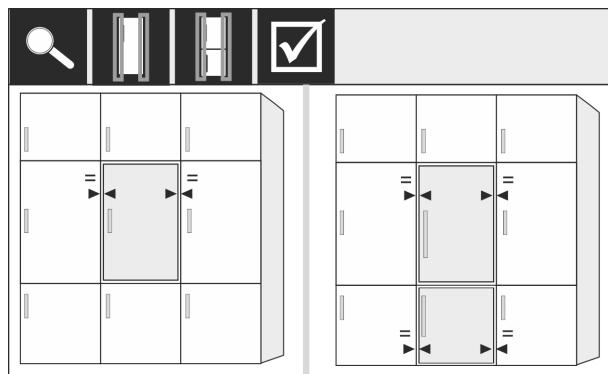


Fig. 62

- ▶ Check the gap between the door and the surrounding custom panels. For unit fronts thicker than 19 mm, take account of the dimensions and advice in the **Unit fronts** chapter.

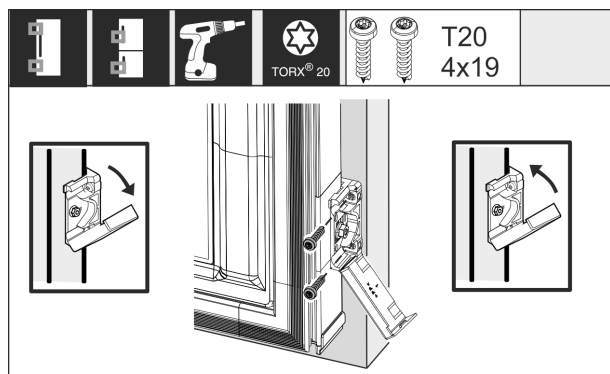


Fig. 63

- ▶ Open the cover to fit the mounting bracket on the custom panel. Align the front edge of the mounting bracket parallel with the custom panel edge and screw the bracket down tightly. Fold up the cover.

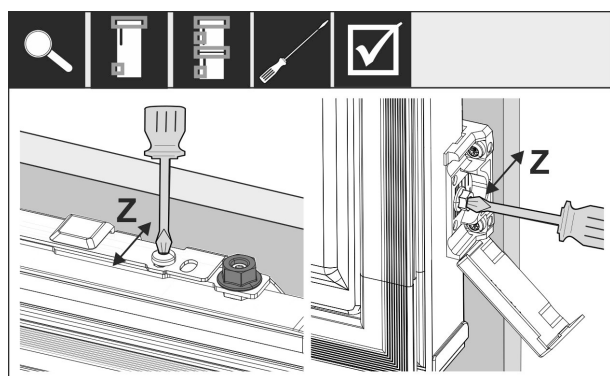


Fig. 64

Align the unit door in the Z direction:

- ▶ Loosen the adjusting screw on the crosspiece and the screw on the mounting bracket.
- ▶ Move the door.

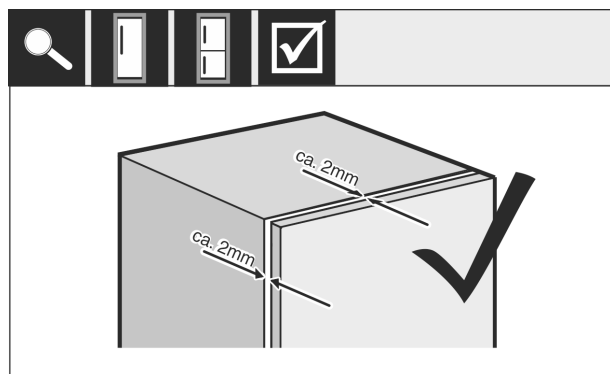


Fig. 65

- ▶ Check the gap between the custom panel and the unit body.
- ▶ Check all screws and retighten them if necessary.

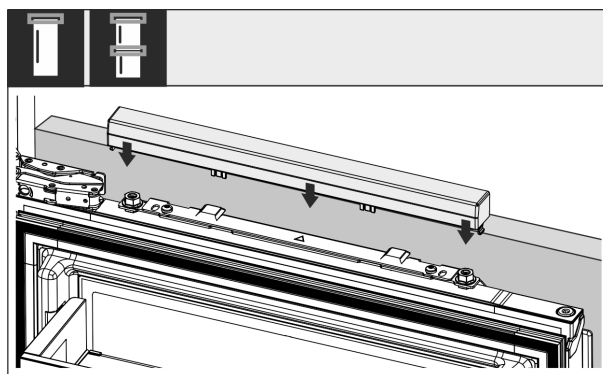


Fig. 66

- ▶ Clip the top cover on.

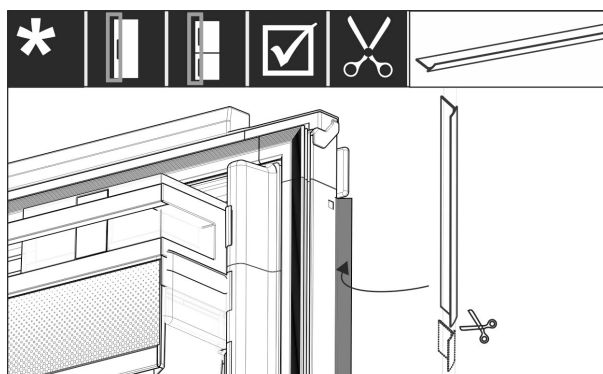


Fig. 67

- ▶ Cut the tread to size and place between the front of the cabinet and the door.

Check the following points to ensure the appliance is correctly installed. Otherwise, ice and condensation may form, and malfunctions may occur:

- ▷ The door must close properly.
- ▷ The unit door must not touch the body of the unit.
- ▷ The seal on the upper corner on the handle side must be fitted securely.

17 Cabinet fronts

17.1 Dimensions

Depending on your model, you will need one or two cabinet doors. The size of the cabinet door(s) depends on the overall recess size and cabinet unit thickness.

Note

Observe the appliance and recess dimensions and follow the installation diagrams (see 3 Appliance dimensions) (see 4 Recess dimensions). See the relevant catalog for the installation diagrams.

General requirements:

- Please refer to our catalogs for appliance-specific recommendations on size and weight for fixed door installations.
- The cabinet unit thickness should be at least 16 mm and no bigger than 19 mm.
- When mounting a 2-door cabinet door, observe the recommended clearance.

Cabinet fronts

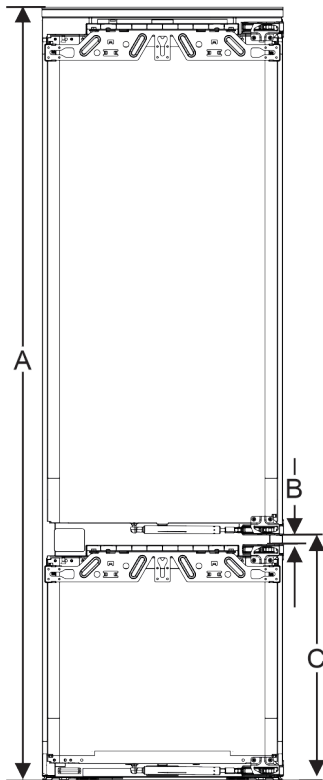


Fig. 68 Clearances for a 2-door cabinet door

Recess height	Appliance height (mm)	Distance (B) (mm)	Clearance (C) fixed door (mm)
178-2 drawers	1770	15	549+15
178-3 drawers	1770	15	695+15

Other cabinet door above, below or next to it:

- Vertical gap between cabinet doors must be 4 mm.
- Horizontal gap between cabinet doors must be 4 mm. Check the collision factors here (see 17.3 Setting the clearance to avoid collision).

Weight and hinges:

- Heavy cabinet fronts increase the stress on the hinge. The hinge may be damaged. As such, refer to the catalog for the maximum weight specification for your appliance.
- If the cabinet front exceeds the maximum permitted weight, an appliance with door-tracking device can help by loading the weight over several concealed hinges on the cabinet.
- If you use long unit fronts that protrude far above the appliances, we recommend an additional door hinge (e.g. Kamat), which must have the same pivot point as the fixed door hinge used with your appliance. By using another hinge (Kamat), the weight is shared over several points. The use of a milled compensating fastening is recommended for high unit fronts to counteract warping (convex/concave).

17.2 Mounting the cabinet front(s)

When installing, note:

- Cabinet front must be installed symmetrically to the refrigerator door.
- Adjoining cabinet front is exactly level.
- Adjoining cabinet front has the same edge radius as the front of the appliance.

- Cabinet front is flat and tension-free.
- Cabinet front is adjusted to a minimum depth of approx. 2 mm to the unit body.
- ▶ Fit the appliance into the recess (see 16 Fit the appliance into the recess).
- ▶ Attach the cabinet front to the appliance door (see 16 Fit the appliance into the recess).
- ▶ Check the cabinet front does not collide with anything (see 17.3 Setting the clearance to avoid collision).

17.3 Setting the clearance to avoid collision

After installing the cabinet front(s), check that the cabinet fronts do not collide.

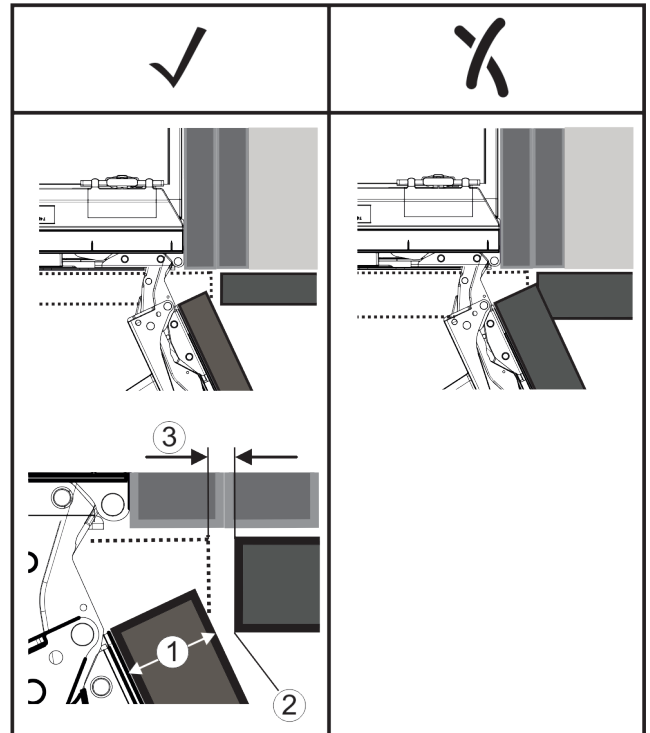


Fig. 69

(1) Front thickness (FD)

(3) Clearance size (S)

(2) Edge radius (R)

FD(1) (mm)	R (2) = 0 mm		R = 1,2 mm		R = 2 mm		R = 3 mm	
	G _{min}	G _{max}	G _{min}	G _{max}	G _{min}	G _{max}	G _{min}	G _{max}
16	0,3	0,9	0,1	0,4	0,1	0,2	0,1	0,2
19	0,7	2,4	0,3	1,9	0,23	3,25	0,1	0,8
20	2	4,3	1,5	3,6	1	3,1	0,6	2,7
22	3,5	6,3	3	5,6	2,6	5,3	2,1	4,6
24	5,5	8,3	5	7,8	4,5	7,4	4	6,9
26	7,6	10,7	7	10,3	6,6	9,9	6,2	9,4

Fig. 70 Table of clearance limits

G_{min} = min. clearance in mm

G_{max} = max. clearance in mm

Note

When making adjustments, always make sure that the cabinet front suits the general appearance.

Check the collision factors and adjust them accordingly:

- ▶ Determine the front thickness and edge radius.
- ▶ Refer to the table for the min./max. clearance dimensions.
- ▶ Check the clearance size against the table.
- ▶ Do one of the following depending on the measured clearance size.

Clearance size	Description
$S > G_{\max}$	If the clearance size is greater than the two limits, you do not need to make any adjustments.
$S < G_{\min}$	If the clearance size is below the limits, you must increase it. Another option is to increase the edge radius.
$G_{\min} \leq S \leq G_{\max}$	If the clearance is between the two limits, you have to be careful. This will quickly lead to collisions.

18 Water tank

Depending on your model, the InfinitySpring water tank is behind the lowest drawer in the fridge or BioFresh compartment

18.1 Inserting the water tank

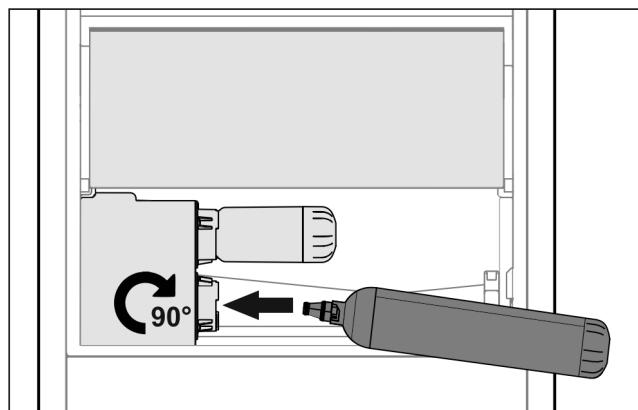


Fig. 71

- ▶ Remove the drawer.
- ▶ Insert the water tank and turn approx. 90° to the right until it engages.
- ▶ Check that the water tank is sealed and no water leaks out.
- ▶ Insert the drawer.
- ▶ Vent the water system (see Installation Instructions, Water Connection)

Instead of the water filter, you can use an additional water tank.

Note

The water tank is available as a spare part.

19 Water filter

Depending on your model, the water filter is behind the lowest drawer in the fridge or BioFresh compartment.

It absorbs deposits in the water and reduces the taste of chlorine.

- ☐ Replace the water filter at least every 6 months under the specified usage conditions or if the flow rate drops significantly.
- ☐ The water filter contains carbon and can be disposed of with the regular household waste.

Note

You can purchase the water filter from the [Liebherr household appliance store](http://home.liebherr.com) (home.liebherr.com).

19.1 Installing the water filter

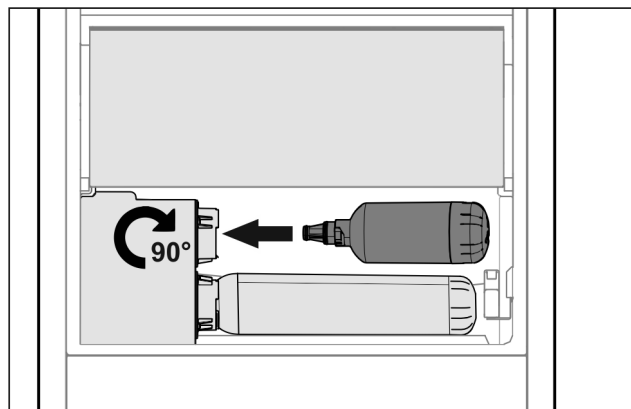


Fig. 72

- ▶ Remove the drawer.
- ▶ Insert the water filter and turn clockwise approx. 90° until it engages.
- ▶ Make sure the filter does not leak and no water is coming out.
- ▶ Insert the drawer.



CAUTION

New water filters may contain particulate matter.

- ▶ Dispense 3 l of water through the InfinitySpring and pour away.

▷ The water filter is now ready for use.

20 Connecting the appliance



WARNING

Incorrect connection!

Risk of fire.

- ▶ Do not use an extension cord.
- ▶ Do not use a multipoint connector strip.

NOTICE

Incorrect connection!

Damage to the electronics.

- ▶ Do not connect the appliance to a stand-alone inverter, e.g. solar power systems and petrol generators.
- ▶ Do not use an energy saving plug.

Note

Only use the mains cable supplied.

- ▶ A longer mains cable can be ordered from Customer Service.

Make sure that the following requirements are fulfilled:

- The type of current and voltage at the installation site complies with the information on the serial tag .
- The socket is grounded and fused in accordance with regulations.
- The tripping current for the fuse is between 10 and 16 A.
- The socket is easily accessible.
- ▶ Check the electrical connection.
- ▶ Connect the mains plug to the power supply.
- ▷ The Liebherr logo appears on the screen.
- ▷ The display switches to the standby symbol.



home.liebherr.com/fridge-manuals

EN Refrigerators and freezers for integrated use, door-on-door

Issue date: 20221026

Part number index: 7088230-00

Liebherr-Hausgeräte Ochsenhausen GmbH
Memminger Straße 77-79
88416 Ochsenhausen
Deutschland



Installation Guide

Quality, Design and Innovation



home.liebherr.com/fridge-manuals




LIEBHERR


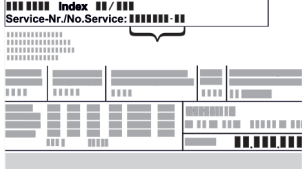




General safety instructions

Contents

1	General safety instructions.....	2
2	Setup conditions.....	3
2.1	Space.....	3
2.2	Setting up multiple appliances.....	3
2.3	Electrical connection.....	3
3	Appliance dimensions.....	4
4	Recess dimensions.....	4
4.1	Internal dimensions.....	4
5	Ventilation requirements.....	5
6	Custom panel weights.....	5
6.1	Weight.....	5
7	Transporting the appliance.....	6
8	Unpacking the appliance.....	6
9	Setting up the appliance.....	6
9.1	After setup.....	6
10	Disposal of packaging.....	6
11	Explanatory symbols used.....	6
12	**** freezer compartment door*.....	7
12.1	Moving the door hinge.....	7
13	Reversing the door.....	8
14	Water connection*.....	10
15	Connect the water supply.....	10
16	Fit the appliance into the recess.....	11
17	Cabinet fronts.....	17
17.1	Dimensions.....	17
17.2	Mounting the cabinet front(s).....	18
17.3	Setting the clearance to avoid collision.....	18
18	Water tank.....	19
18.1	Inserting the water tank.....	19
19	Water filter.....	19
19.1	Installing the water filter.....	19
20	Connecting the appliance.....	19

The manufacturer is constantly working to improve all types and models. Therefore, please be aware that we reserve the right to make changes to the shape, equipment and technology.

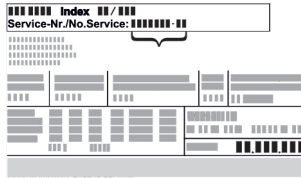
Symbol	Explanation
	Read instructions Please read the information in these instructions carefully to understand all of the benefits of your new appliance.

Symbol	Explanation
	Full instructions on the internet You can find detailed instructions on the internet using the QR code on the front of these instruction or by entering the service number at home.liebherr.com/fridge-manuals . The service number can be found on the serial tag:  <i>Fig. Example illustration</i>
	Check appliance Check all parts for transport damage. If you have any complaints, please contact your agent or customer service.
	Differences These instructions apply to a range of models, so there may be differences. Sections that apply to certain models only are indicated by an asterisk (*).
	Instructions and results Instructions are marked with a ▶. Results are marked with a ▷.
	Videos Videos about the appliances are available on the YouTube channel of Liebherr-Hausgeräte.

1 General safety instructions

- Please keep this assembly manual in a safe place so you can refer back to it at any time.
- If you pass the appliance on, please hand this assembly manual to the new owner.
- Read this assembly manual before installation and use in order to use the appliance safely and correctly. Follow the instructions, safety instructions and warning messages included at all times. They are important for ensuring you can operate and install the appliance safely and without any problems.
- First read the general safety instructions in the “General safety instructions” section of the **operating instructions**, which accompany these installation instructions, and follow them. If you cannot find the **operating instructions**, you can download the **operating instructions** from the internet by entering the service number at home.liebherr.com/fridge-manuals. The

service number can be found on the serial



tag:

- **Observe the warning messages and other detailed information in the other sections when installing the appliance:**

	DANGER	indicates a hazardous situation, which if not avoided, will result in death or serious injury.
	WARNING	indicates a hazardous situation, which if not avoided, could result in death or serious injury.
	CAUTION	indicates a hazardous situation, which if not avoided, will result in minor or moderate injury.
	NOTICE	indicates a hazardous situation, which if not avoided, could result in damage to property.
	Note	indicates useful advice and tips.

2 Setup conditions

WARNING

Risk of fire due to moisture!

If live parts or the power cord get wet, this can cause a short circuit.

- ▶ The appliance is designed for use in enclosed spaces. Do not operate the appliance in open space or in damp areas or where there is spray.

Normal use

- Only set up and use the appliance in enclosed spaces.
- Only use once installed.

2.1 Space

WARNING

Leaking refrigerant and oil!

Fire. The refrigerant contained within the appliance is environmentally friendly, but flammable. The oil contained within the appliance is flammable. Escaping refrigerant and oil can ignite if they are of high enough concentration and are exposed to an external heat source.

- ▶ Do not damage the pipelines of the coolant circuit and the compressor.

- If the appliance is installed in a very damp environment condensate water may form on the outside of the appliance.

Always make sure the installation area is well ventilated.

- The more refrigerant is in the appliance, the larger the room must be where the appliance is located. In the case of a leak, a flammable gas-air mixture may be created in a room that is too small. For every 8 g of refrigerant, the installation space must be at least 1 m³. Specifications regarding the refrigerant contained within the appliance can be found on the rating plate inside the appliance.

2.1.1 Installation surface

- The floor of the installation site must be horizontal and level.
- If the floor is not completely even, level the cabinet with supports.

2.1.2 Installation position

- Do not install the appliance in direct sunlight or next to an oven, heater, or similar heat source.
- Only install the appliance in solid cabinets.

2.2 Setting up multiple appliances

NOTICE

Risk of damage caused by water condensate!

- ▶ Do not install this device directly beside another fridge/freezer compartment.

NOTICE

Risk of damage caused by water condensate!

- ▶ Do not stack the appliance directly on top of another.

These appliances are designed for different types of installation. Only combine appliances if the appliances are designed for this. The following table shows the installation options by model:

Setup type	Model
Single	All models
Side-by-Side (SBS)	Model that start with S...
Stacked	Models up to maximum recess height of 880 mm and with heated top can be "stacked". Top appliance: to the max. recess height of 140 mm

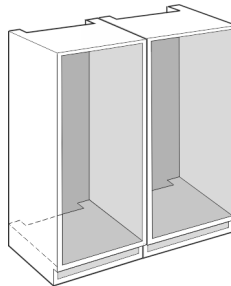


Fig. 1

Install each appliance into its own recess.

2.3 Electrical connection

WARNING

Improper use!

Fire. If a power cable/plug comes into contact with the back of the appliance, the power cable/plug can be damaged by appliance vibrations and this may result in a short circuit.

- ▶ Install the appliance so that it does not touch any plugs or power cables.
- ▶ Do not connect any appliances to sockets in the area of the back of the appliance.
- ▶ Multi-sockets/power distributors and other electronic appliances (such as halogen transformers) may not be placed and operated at the back of appliances.

Appliance dimensions

3 Appliance dimensions

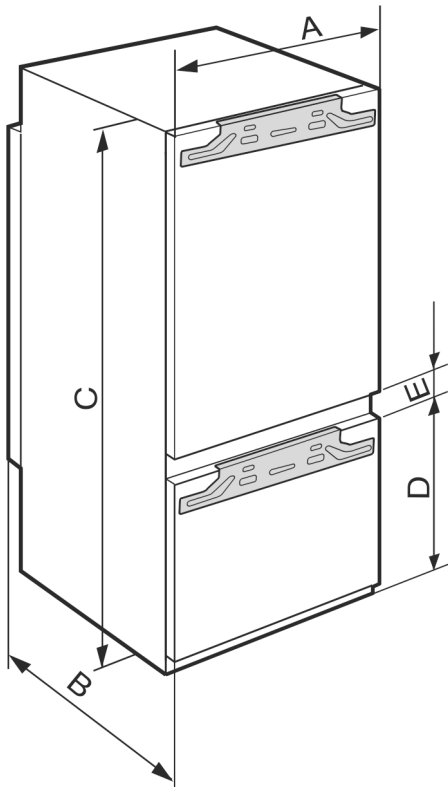


Fig. 2

	A (mm)	B (mm)	C (mm)	D (mm)	E (mm)
ICB/b/c/i/d/ 51..	559	546	1770	549	15
IC/e/d 51..				695	
S/ICN/c/f/d/e/i 51.. ICBN/c/e/l/d/h 51..					

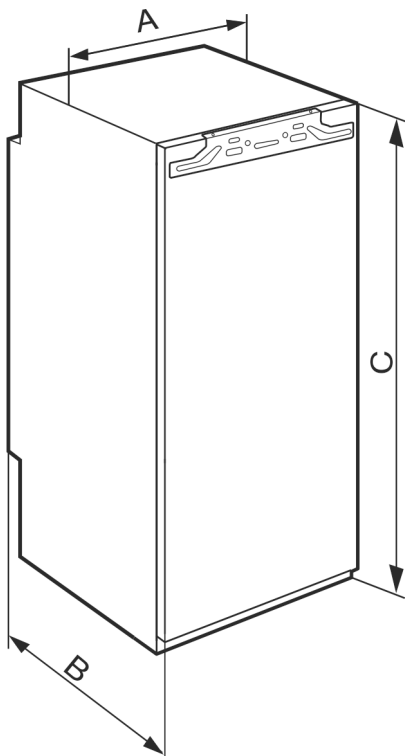


Fig. 3

	A (mm)	B (mm)	C (mm)
IFNe 35..	559	546	712
IR/f/e/d/c 39.. SIBa 39.. S/IFN/e/d 39..			872
IRe 40.. IRBd 40..			1022
IR/e/d 41.. IRB/b/d/i 41.. SIFNd 41..			1213
IRe 45.. IRBd 45.. SIFNd 45..			1395
IRBe 48..			1572
IR/f/e 51.. IRe 1784 IRD/c/e/d/i/ 51.. IRB/P/d/e/hi/ di 51.. SIFn/f/h/e/i 51..			1770

4 Recess dimensions

4.1 Internal dimensions

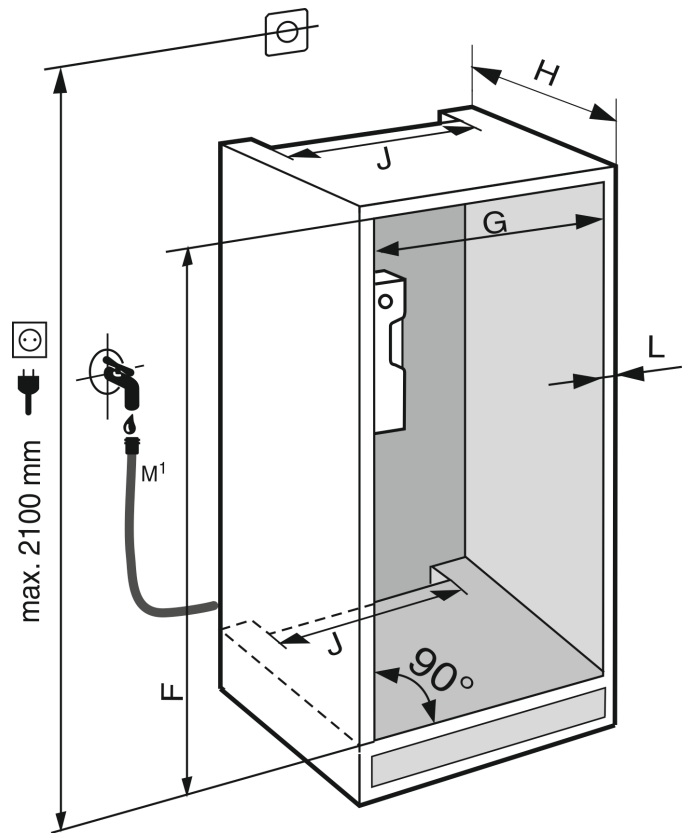


Fig. 4 *

M¹): Only IRBdi 5180/5190, ICNdi 5173, ICBNd/i 5163/73/83, ICBdi 5182*

	F (mm)*	G (mm)*	H (mm)*	J (mm)*	L (mm)*
IFNe 35..	714 -730				
IR/f/e/d/c 39.. SIBa 39.. IF/Se 39.. S/IFNe/d 39..	874 – 890				
IRe 40.. IRBd 40..	1024 – 1040				
IR/e/d 41.. IRB/b/d/i 41.. SIFNd 41..	1216 – 1236				
IRe 45.. IRBd 45.. SIFNd 45..	1397 – 1413				
IRBe 48..	1574 – 1590	560 – 570	min. 550, recom- mended 560	min. 500	max. 19
IR/f/e 51.. IRe 1784 IRD/c/e/d /i/ 51.. IC/e/d 51.. S/ICN/c/f /d/e/i 51.. ICB/N/c/e/l/d/h 51.. IRB/P/di/d/e 51.. SIFN/Sf/e /ei/h/hi/ 51..	1772 – 1788				

The specified energy consumption was determined with a kitchen unit depth of 560 mm. The appliance will work properly at a kitchen unit depth of 550 mm, but with a slightly higher energy consumption.

- ▶ Check the wall thickness of adjacent cabinets: It must be min. 16 mm.
- ▶ Only install the appliance in solid, fixed kitchen cabinets. Ensure that the cabinets cannot tip over.
- ▶ Align the cabinets with a spirit level and a try square. If necessary, level them by putting something underneath them.
- ▶ Ensure that the floor and the side panels of the cabinet are at right angles to each other.

5 Ventilation requirements

NOTICE

Covered vents!

Damage. Appliance can overheat, which can reduce the service life of various parts of the appliance and lead to functional impairments.

- ▶ Always ensure good ventilation.
- ▶ Always keep vents or ventilation grills in the appliance housing and in the kitchen structure (built-in appliance) unobstructed.
- ▶ Never block air vents of the fan.

Comply with the ventilation gaps:

- The depth of the ventilation shaft on the back wall of the cabinet must be at least 38 mm.
- At least 200 cm² is required for the ventilation cross-sections below the unit at its base and above the unit in the surrounding cabinet.
- Basically, the larger the ventilation cross-section, the more efficiently the appliance will run.

Sufficient ventilation is required for the appliance to operate correctly. The pre-fitted vents ensure an effective air-flow cross-section on the appliance of 200 cm². If you replace the vents with a cover panel, it must have at least an equal or larger air-flow cross-section than the manufacturer's vent.

6 Custom panel weights

6.1 Weight

NOTICE

An excessively heavy custom panel can potentially cause damage!

If the custom panel is too heavy, damage to the hinges cannot be ruled out, which may compromise the functionality of the unit.

- ▶ Before installing the custom panel, ensure the custom panel does not exceed the permissible weight.

Recess heights (cm)*	Appliance type*	Maximum weight of the custom panel (kg)*
72	IF..35..	16
88	IR..39.. SIB...39.. IF..39..	16
102	IR...40..	13
122	IR...41.. SIF..41..	19
140	IR...45.. SIF..45..	21
158	IR...48..	22
178	IR...51.. SIF..51..	26

Single-door fridges and freezers

Transporting the appliance

Recess heights (cm)*	Appliance type*	Maximum weight of the custom panel (kg)*	
		Fridge compartment door*	Freezer compartment door*
178	S / IC...51	18	12

Combinations

7 Transporting the appliance

- ▶ Transport the appliance in its packaging.
- ▶ Transport the appliance upright.
- ▶ Use two people when transporting the appliance.

8 Unpacking the appliance

If the appliance is damaged check with the supplier immediately before connecting it.

- ▶ Check the appliance and packaging for damage during transport. If you suspect any damage, please contact your supplier immediately.
- ▶ Remove all materials that could prevent it from being installed properly or prevent proper ventilation from the back or the side panels of the appliance.
- ▶ Remove all protective films from the appliance. Do not use sharp or pointed objects for this.
- ▶ Remove the mains cable from the back of the appliance. Also remove the cable holder, otherwise there will be vibration noise!

9 Setting up the appliance



CAUTION

Risk of personal injury!

- ▶ Have two people move this appliance into place.



WARNING

Unstable appliance!

Risk of injury and damage. The appliance can tip over.

- ▶ Secure the appliance according to the operating instructions.



WARNING

Danger of fire and damage!

- ▶ Do not place devices that give off heat, e.g. microwaves, toasters, etc. on the appliance.

If possible, have a professional install the appliance in your kitchen cabinet unit.

Do not install the appliance without assistance.

9.1 After setup

- ▶ Remove all transport packaging.

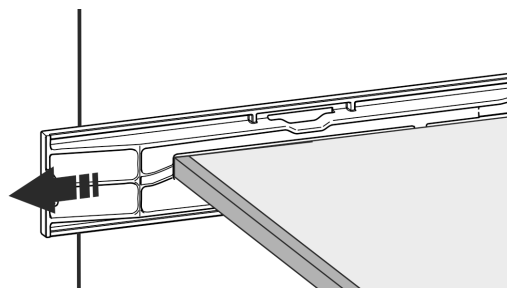
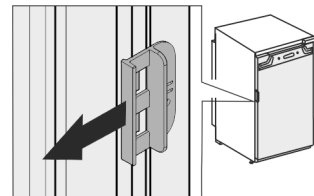
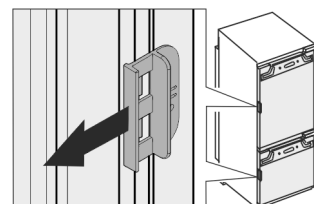


Fig. 5



- ▶ Pull off the transport lock on the appliance door.



- ▶ Clean the appliance (see User Guide, Cleaning the appliance).

10 Disposal of packaging



WARNING

Danger of suffocation from packaging materials and films!

- ▶ Do not allow children to play with packaging materials.

The packaging is made from recyclable materials:

- Corrugated card/cardboard
- Parts made of foamed polystyrene
- Films and bags from polyethylene
- Packing bands from polypropylene
- Wood frame nailed together with a polyethylene window*








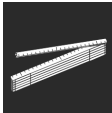
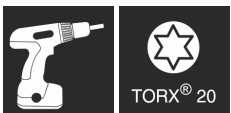


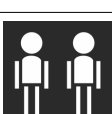



- ▶ Take the packaging material to an official collection point.








11 Explanatory symbols used

	There is the risk of injury when doing this! Obey the safety instructions!
	These instructions apply to several models. Only perform this step if it applies to your appliance.
	To install, please follow the detailed description in the Guide.
	This section applies either to a single-door appliance or a double-door appliance.

**** freezer compartment door*

	Choose one of the options: Appliance with right-hinged door or appliance with left-hinged door.
	Installation step necessary with IceMaker and/or InfinitySpring.
	Loosen or tighten screws slightly.
	Tighten the screws fully.
	Check to see if the next step applies for your model.
	Check the components are in correctly.
	Measure the specified measurement and adjust if necessary.
	Installation tool: Meter stick
	Tool for assembly: Cordless screwdriver and attachments
	Tool for assembly: Spirit level
	Tool for assembly: Size 7 and size 10 spanner
	Two people are required for this step.
	This step takes place at the selected location of the appliance.
	Aid for assembly: String
	Aid for assembly: Square

	Aid for assembly: Screwdriver
	Aid for assembly: Scissors
	Aid for assembly: Non-permanent marker pen
	Accessory kit: Remove components
	Dispose of components that are no longer needed.

12 **** freezer compartment door*

It is very easy to reposition the hinge of the **** freezer compartment door if the main door hinge is swapped. If the main door of the appliance can be opened to more than 115° (1), you can open the freezer compartment without repositioning the hinge. If the opening angle (2) of the appliance door is less than this, the hinge must be repositioned.

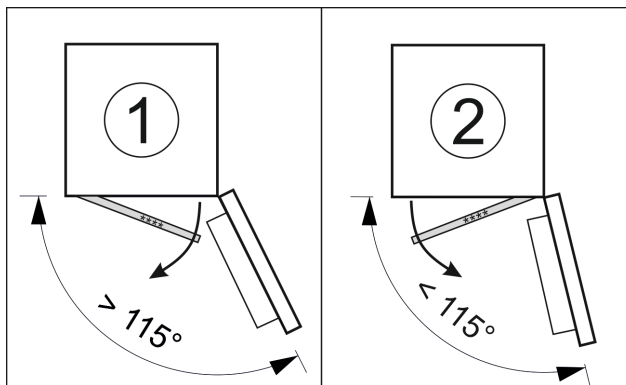


Fig. 6

12.1 Moving the door hinge

The slider for moving the door hinge is located on the back of the **** freezer compartment door at the bottom.

Reversing the door

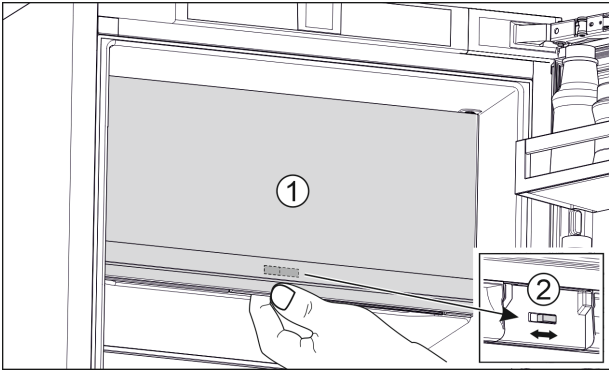


Fig. 7

- ▶ Close the *** freezer compartment door (1).
- ▶ Grab the *** freezer compartment door from below.
- ▶ Move the slider (2) either to the right or to the left.

13 Reversing the door

Tool



Fig. 8

NOTICE

Live parts!

Damage to electrical components.

- ▶ Disconnect the power plug before reversing the door.

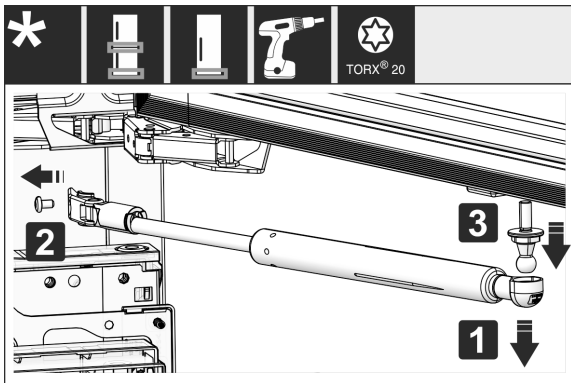


Fig. 9

- ▶ Removing the soft stop damper: Remove the soft stop damper from the ball stud (1). Unscrew the retainer (2). Remove the ball stud with a screwdriver (3).

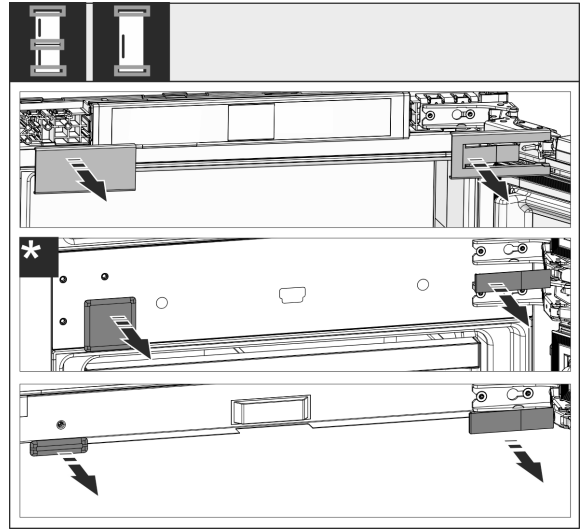


Fig. 10

- ▶ Remove covers.

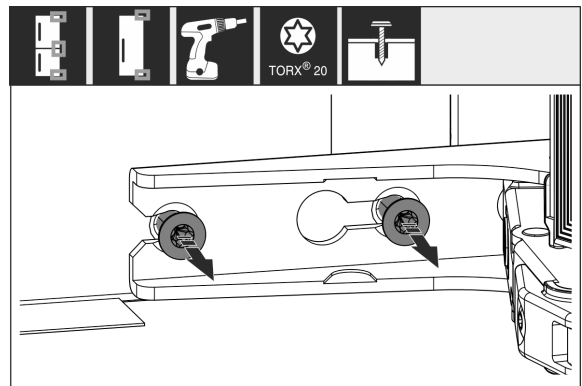


Fig. 11

- ▶ Loosen the screws on **all** hinges but do not remove them.

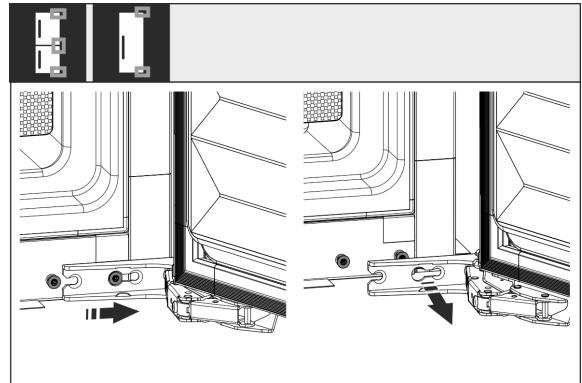


Fig. 12

- ▶ Remove the door: Push the door forward and then out, unhook it and put it to one side.

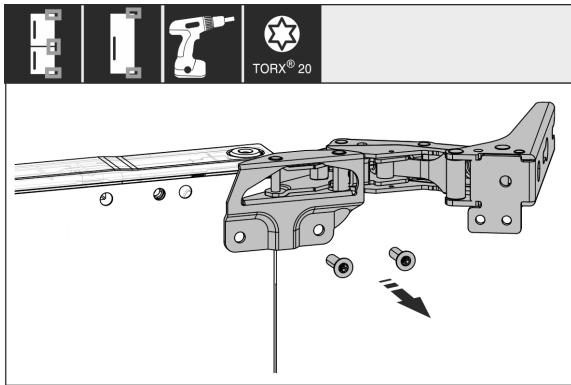


Fig. 13

- Unscrew all hinges and set aside together with the screws.

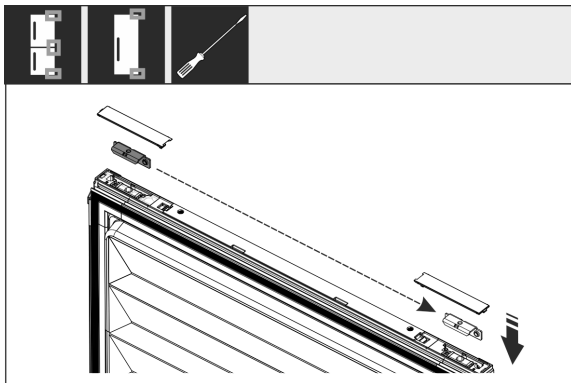


Fig. 14

- Loosen and shift the bracket at the top and bottom of the door. The bracket must be shifted so you can screw on the hinges.

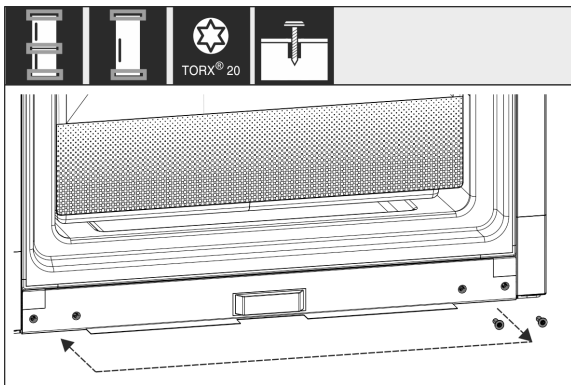


Fig. 15

- Shift the screws to fasten the hinge. Do not screw tightly after shifting – you need to hang the hinges later.

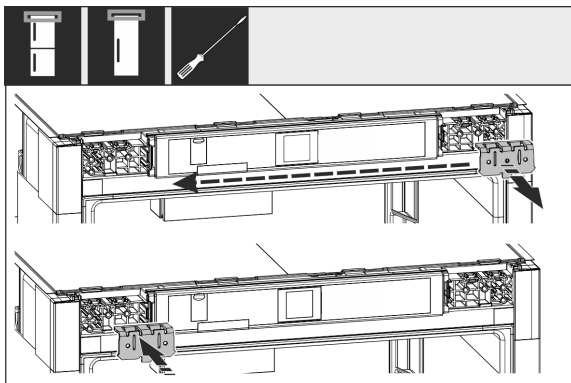


Fig. 16

- Swap the fixing bracket to the opposite side.

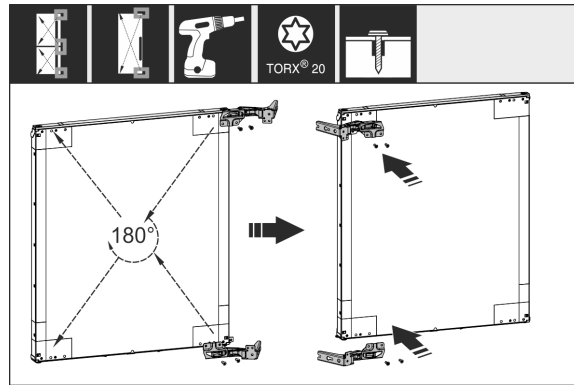


Fig. 17

- Turn all hinges 180° to the opposite side and screw firmly.

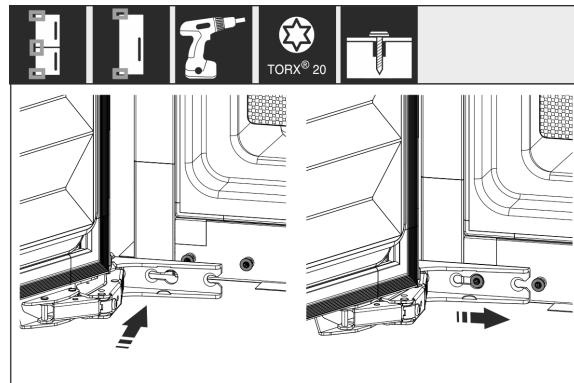


Fig. 18

- Refitting the door: Hang the door with its hinges and tighten the screws.

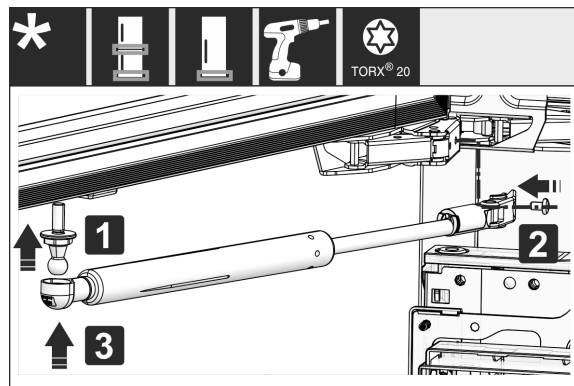


Fig. 19

- Refit the closing dampers: Screw in the ball studs (1), tighten the bracket (2), and hang the closing dampers in the ball studs.
- Check all screws and retighten if necessary.

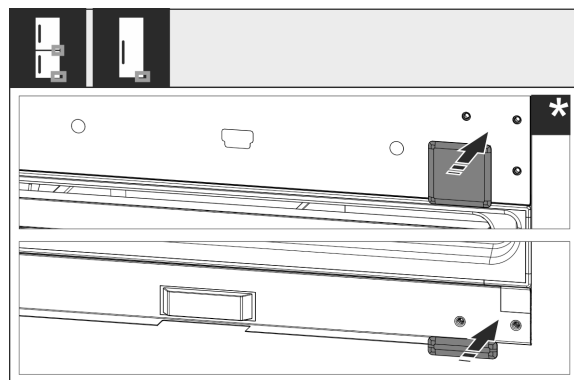


Fig. 20

Water connection*

- ▶ Reassemble the bottom and center cover. Only replace the remaining covers after installing the appliance back into the cabinet.

14 Water connection*



WARNING

Electricity and water!

Electric shock

- ▶ Before connecting to the water hose: Disconnect the appliance from the mains.
- ▶ Before connecting to water lines: Shut off the water supply.
- ▶ The drinking water connection may only be carried out by a qualified gas and water installer.



WARNING

Contaminated water!

Poisoning.

- ▶ Connect to potable water supply only.

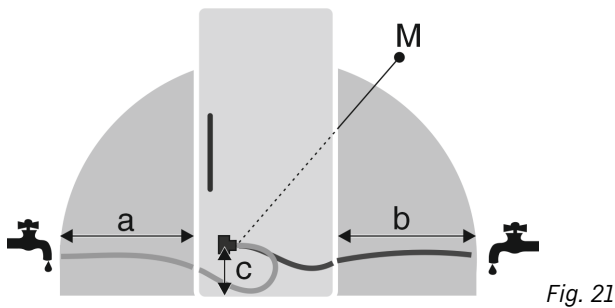


Fig. 21

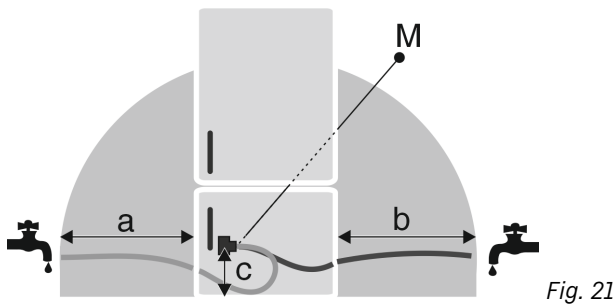


Fig. 21

a	b	c	M
~ 1200 mm	~ 1200 mm	~ 55 mm	Solenoid valve

The appliance's water connection and inlet solenoid valve are suitable for a water pressure of up to 1 MPa (10 bar).

Specifications for proper operation (flow rate, ice cube size, noise level):

Water pressure	
bar	MPa
1.5 to 6.2	0.15 to 0.62

Water pressure if using the water filter:	
bar	MPa
2.8 to 6.2	0.28 to 0.62

If the pressure exceeds 0.62 MPa (6.2 bar): Activate the pressure reducer first.

Ensure that the following conditions are met:

- Water pressure is maintained.
- Water is supplied to the appliance via a cold water pipe that can withstand the operating pressure and is connected to the drinking water supply.
- You are using the supplied hose. Old hoses are disposed of.
- The hose fitting contains a collecting filter with a gasket
- There is a stopcock between the hose and the household connection to shut off the water supply if necessary.
- The stopcock is located outside the back of the appliance and is easily accessible so that the appliance can be far back as possible and the valve can be turned on quickly, if necessary. Distance dimensions are adhered to.
- All equipment and devices used for the water supply comply with the applicable regulations of the country of use.
- The rear of appliance is accessible so that you can connect the appliance to the drinking water supply.
- Do not damage or buckle the hose when setting it up.

15 Connect the water supply

Connect the hose to the appliance

The solenoid valve is located at the bottom of the back of the appliance. Its connecting thread is R3/4.

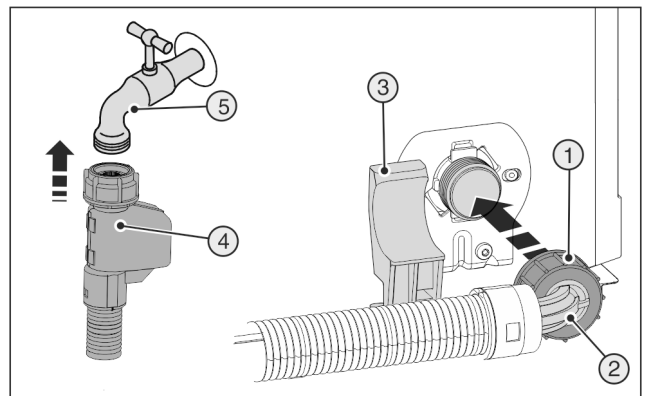


Fig. 22

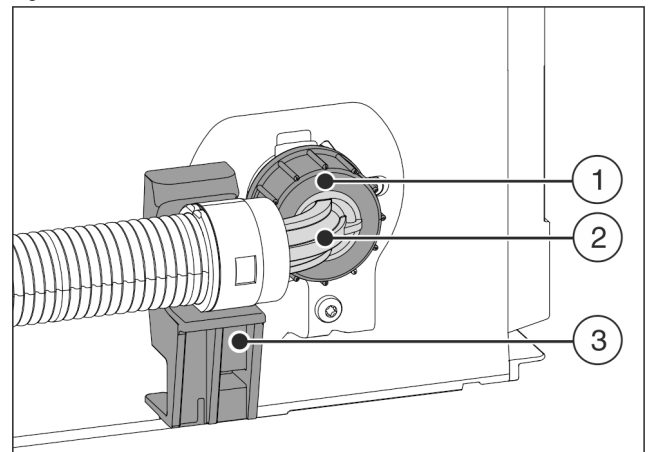


Fig. 23

- ▶ Position and hold the angled hose end Fig. 23 (2) horizontally at the holder Fig. 23 (3).
- ▶ Screw the nut Fig. 23 (1) onto the thread by hand until securely in place.

Connect the hose to the stopcock

- ▶ Connect the straight end of the hose Fig. 22 (4) to the stopcock Fig. 22 (5).

Checking the water system

- ▶ Slowly open the mains stopcock of the water supply. Before installing in the recess:

Fit the appliance into the recess

- ▶ Check the entire water system for leaks.
After installing in the recess:
- ▶ Clean the IceMaker (see User Guide, Maintenance).

Venting the water system

The system should be vented in the following situations:

- Initial commissioning
- Replacement of the InfinitySpring water tank

Make sure that the following requirements are fulfilled

- Appliance is fully installed and connected.
- Water tank is inserted (see Operating instructions, Maintenance).
- Water filter is inserted (see Operating instructions, Maintenance).
- Appliance is switched on.
- ▶ Open the appliance door.
- ▶ Take a glass and press it against the lower part of the InfinitySpring dispenser.
- ▷ The top section moves out and air or water is dispensed into the glass.
- ▶ Continue the process until a steady flow of water pours into the glass.
- ▷ There is no more air in the system.
- ▶ Clean the InfinitySpring (see User Guide, Maintenance).

16 Fit the appliance into the recess

Tool



Supplied installation parts

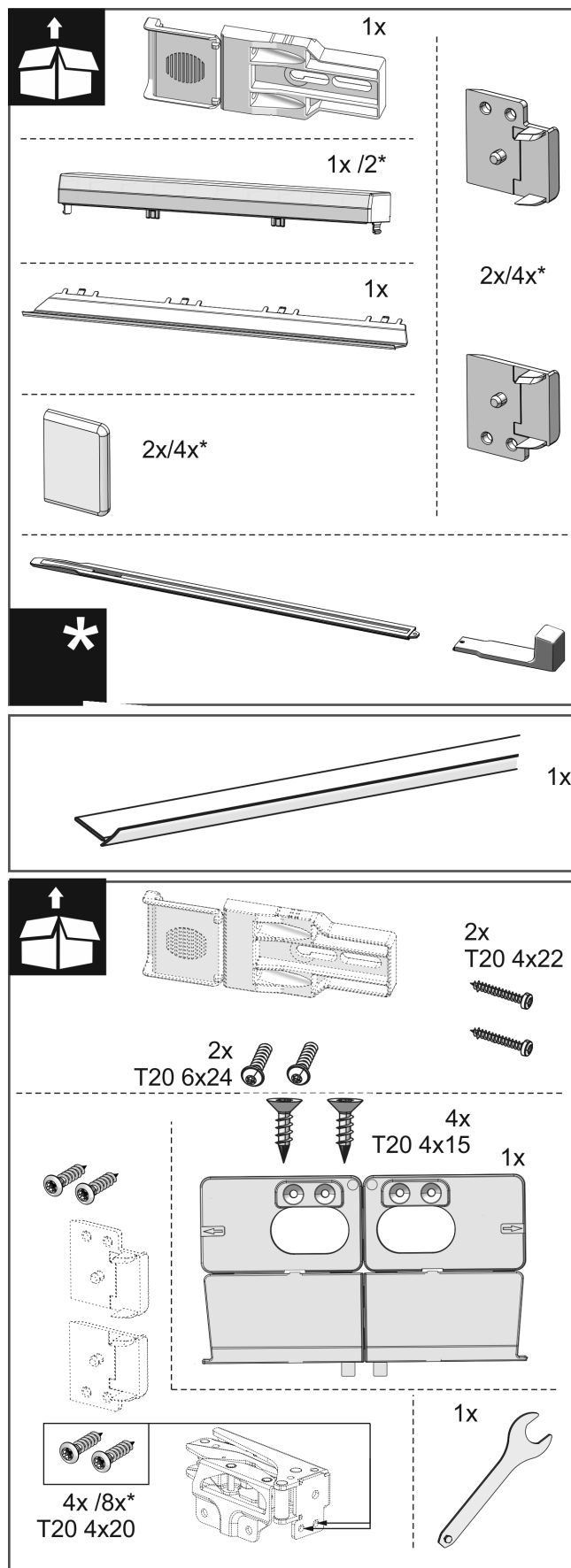


Fig. 24

Fig. 25

Fit the appliance into the recess

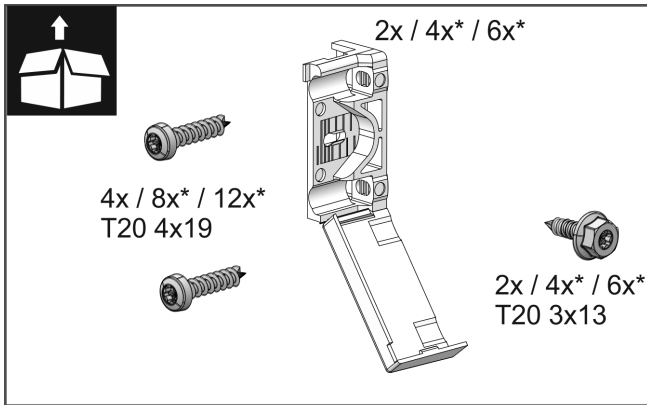


Fig. 26

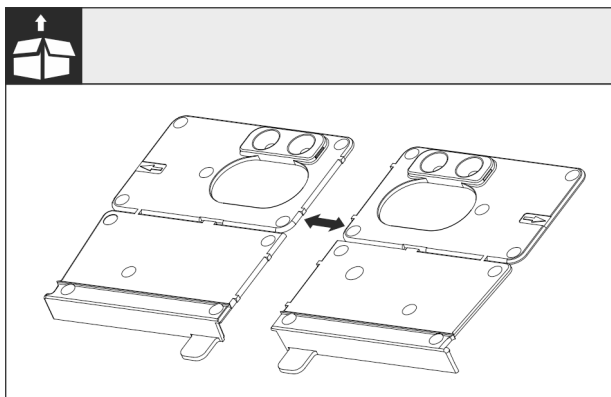


Fig. 27

- ▶ Separate the floor mounting bracket Fig. 27 () at the perforation.

NOTICE

Correct installation depth of the appliance.

- ▶ Using the mounting bracket ensures the correct installation depth of the appliance.

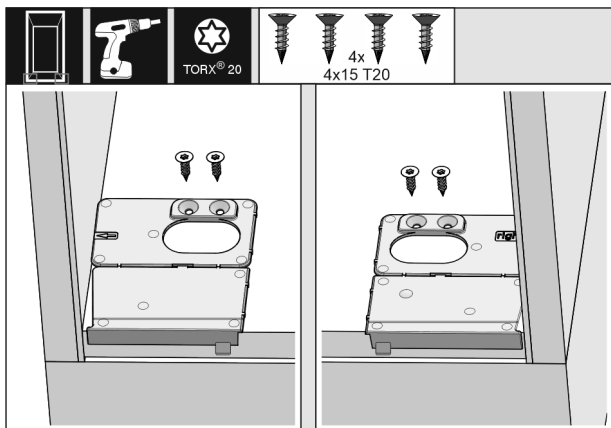


Fig. 28

- ▶ Screw the mounting brackets on the left and right of the recess floor, flush to the side wall.

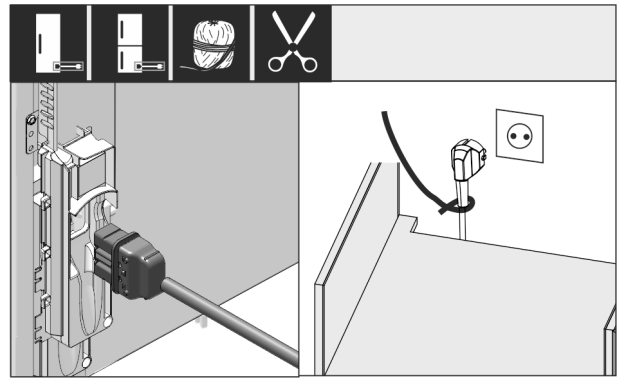


Fig. 29

- ▶ Remove the power cable from the package and plug it into the back of the appliance. Use a cable lug to lay the power plug cord to the accessible socket.

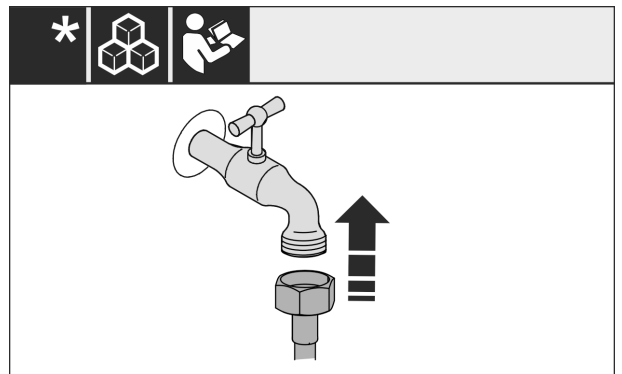


Fig. 30

- ▶ If necessary, install the water connection at this point, following the instructions in the User Guide.

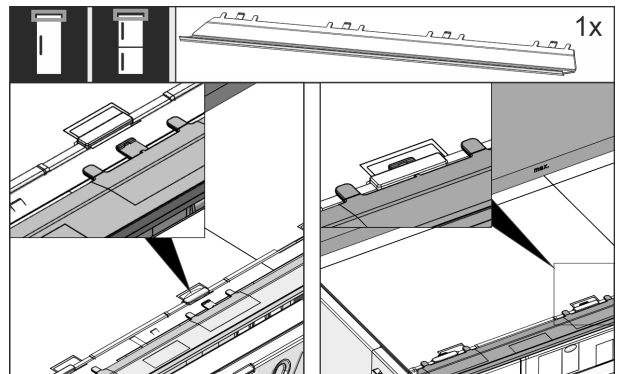


Fig. 31

- ▶ Insert the adapter panel on the top of the appliance. The panel can be moved to both sides.

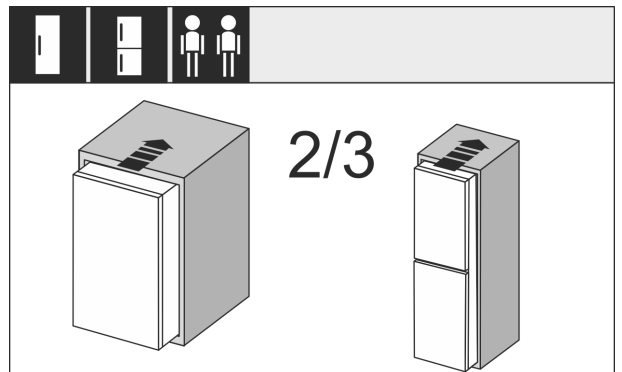


Fig. 32

- ▶ Slide the appliance 2/3 of the way into the cabinet recess.

Fit the appliance into the recess

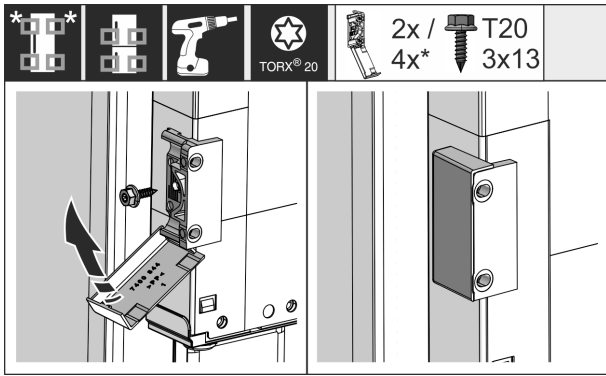


Fig. 33

- ▶ Assemble the mounting bracket. Attach the mounting brackets to align with the cabinet door handles. If the door is large use four mounting brackets in total. After assembly, fold the covers onto the bracket.

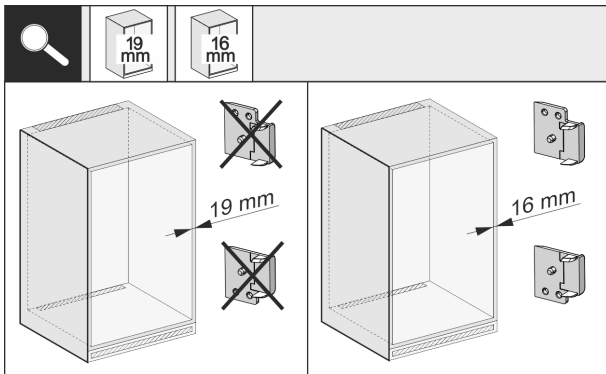


Fig. 34

- ▶ Check whether the unit side wall is 16 mm or 19 mm thick.

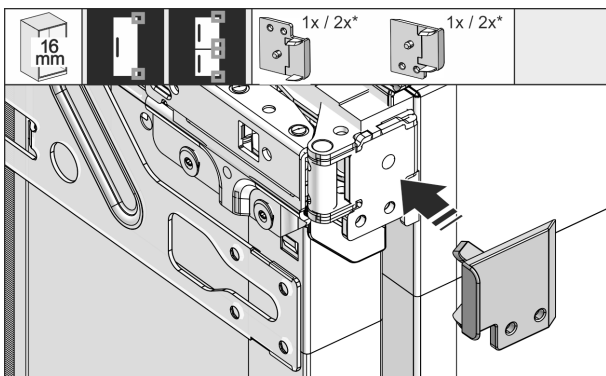


Fig. 35

- ▶ For unit walls which are 16 mm thick: Clip a spacer on all hinges. No spacer is required if the unit walls are 19 mm thick.

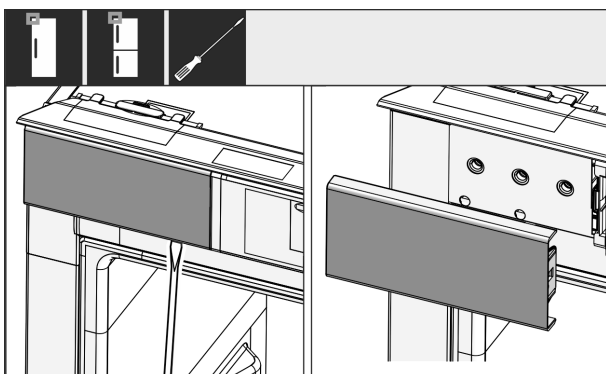


Fig. 36

- ▶ Use a screwdriver to loosen the cover at the top left and then remove it.

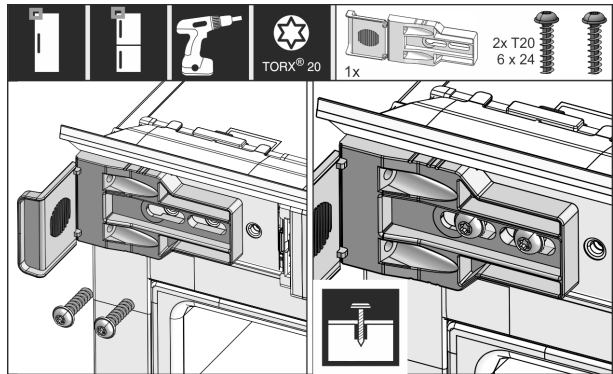


Fig. 37

- ▶ Loosely screw on the mounting bracket. The bracket should still be easy to move.

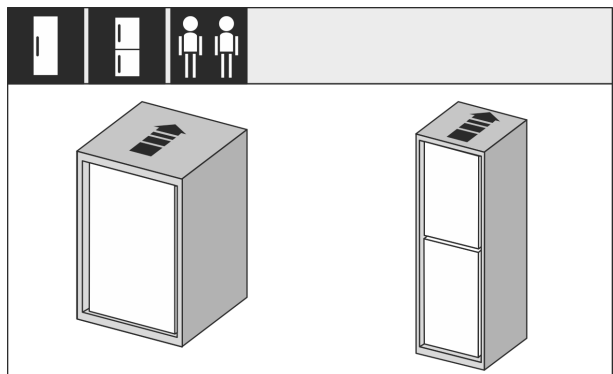


Fig. 38

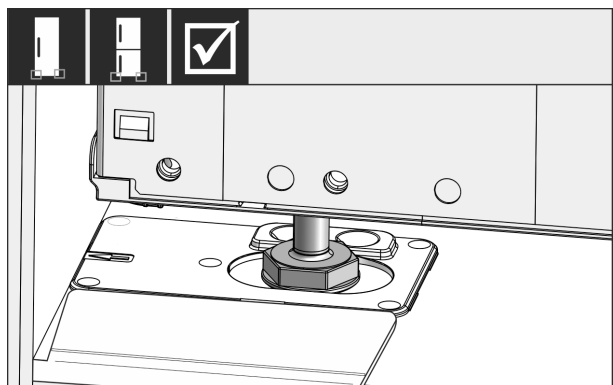


Fig. 39

- ▶ Now insert the appliance all the way into the unit recess. The adjustable feet must rest in the recesses in the brackets on both sides.

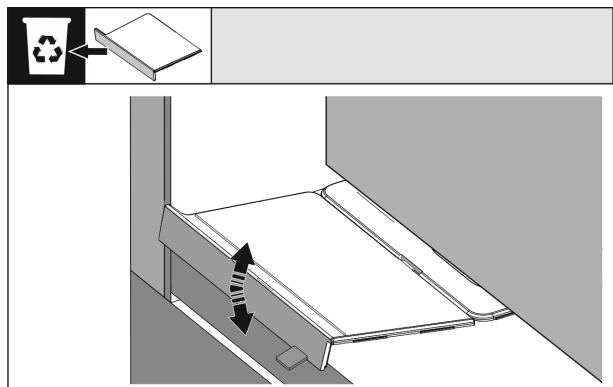


Fig. 40

Fit the appliance into the recess

- ▶ Remove the floor mounting bracket stopper. Loosen the stopper by moving it and, if necessary, pull it off with the help of pliers.

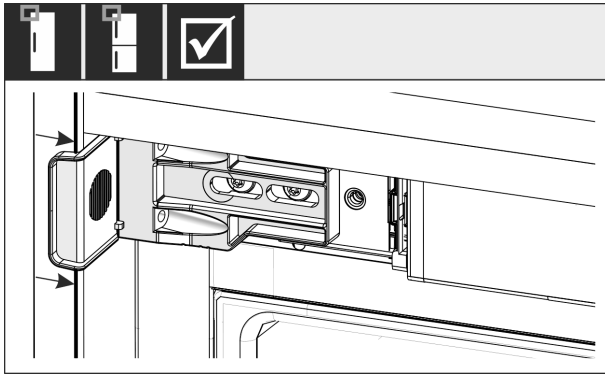


Fig. 41

- ▶ Check that the appliance is flush in the cabinet recess. The mounting bracket must be attached to the side wall of the cabinet recess.

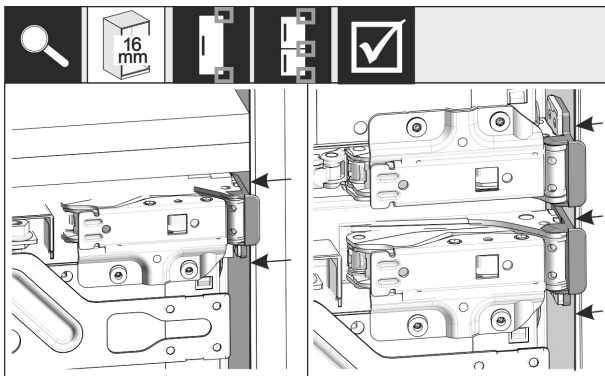


Fig. 42

- ▶ For unit side walls which are 16 mm thick, the spacers fit against the unit recess on the hinge side.

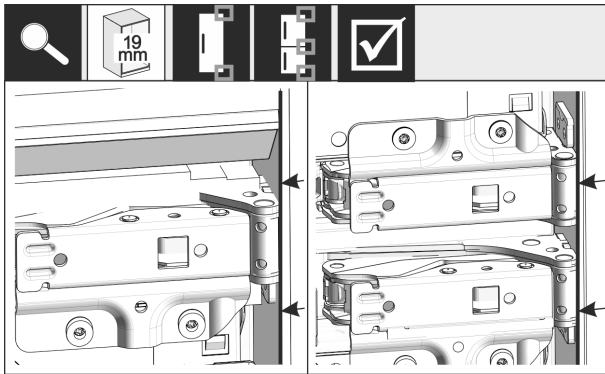


Fig. 43

- ▶ For unit side walls which are 19 mm thick, the front sides of the hinges are positioned flush against the front of the unit side wall.

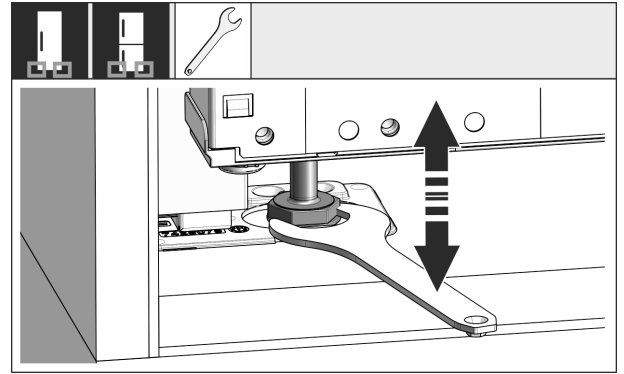


Fig. 44

- ▶ If necessary, level the appliance using the adjusting feet.

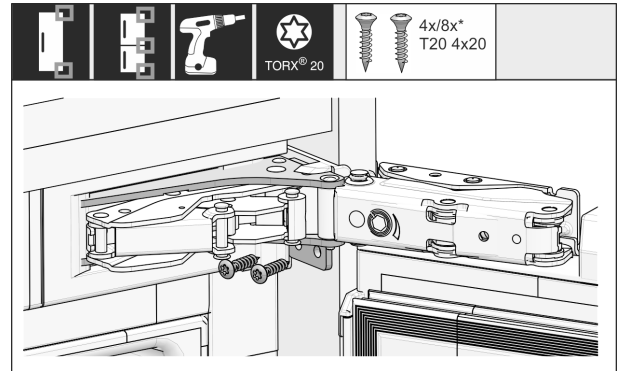


Fig. 45

- ▶ Screw on the appliance on the hinge side.

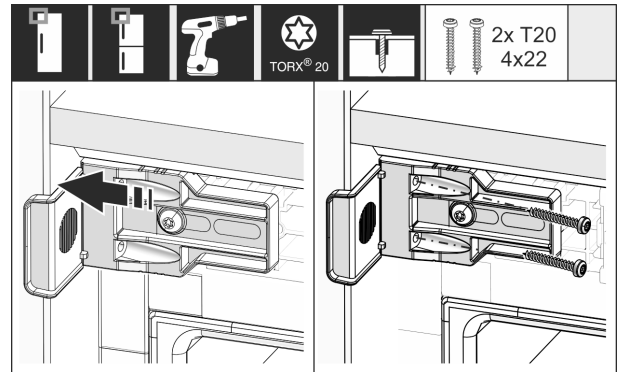


Fig. 46

- ▶ Move the bracket so it sits flush on the side wall of the cabinet recess. Tighten all the screws firmly.

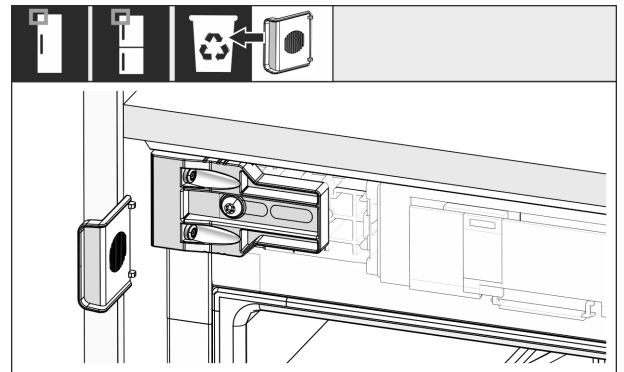


Fig. 47

- ▶ Remove the stop from the bracket on the handle side and dispose of it.

Fit the appliance into the recess

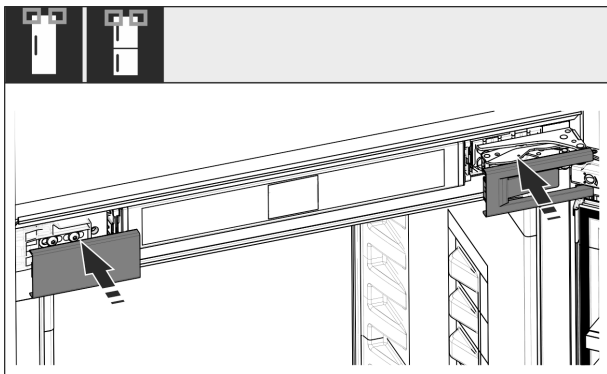


Fig. 48

- ▶ Place the cover.

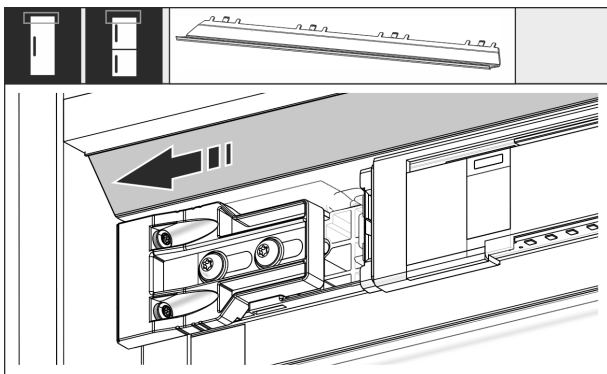


Fig. 49

- ▶ Move the cover panel so it sits flush on the side of the cabinet wall.

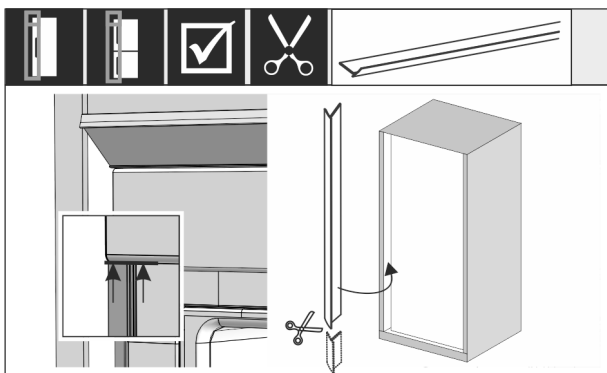


Fig. 50

- ▶ The trim is magnetic. Place the trim below the top cover and press. If necessary, shorten the trim to the required length with a sharp pair of scissors.

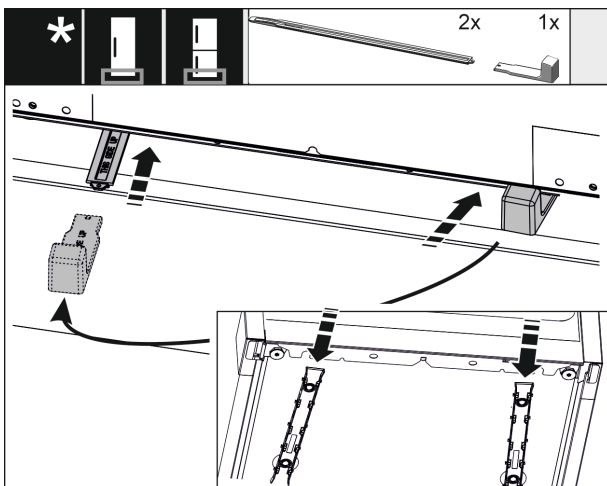


Fig. 51

* Depending on model and options

The height adjustment is only supplied as standard for recess heights of 140 cm and above. It is used for sound optimization. Both parts of the height adjustment are included in the accessory kit.

- ▶ To stabilize the appliance at the back underneath: Fit the handle onto the rail of the height adjustment and push the rail into the appliance base. Remove the handle and do the same with the second rail.

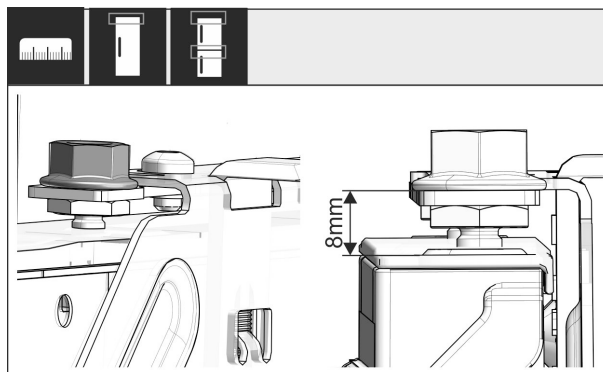


Fig. 52

- ▶ Close the door and check the preset of 8 mm from the upper edge of the appliance door to the crosspiece support

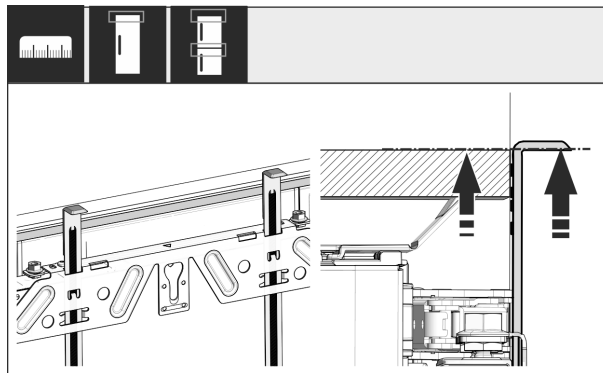


Fig. 53

- ▶ Push up mounting aids to the height of the cabinet door. Bottom stop edge of the fitting aid = top edge of the door to be fitted.

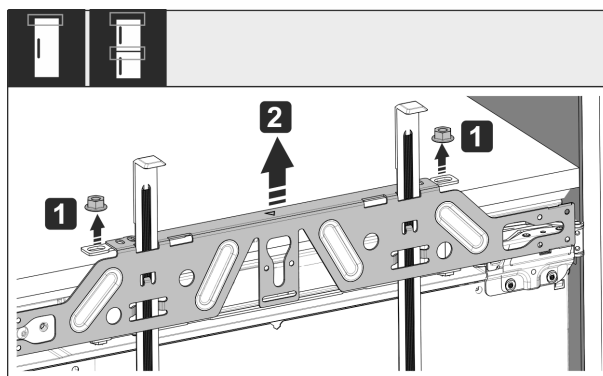


Fig. 54

- ▶ Undo the counter nuts and remove the crosspiece.

Fit the appliance into the recess

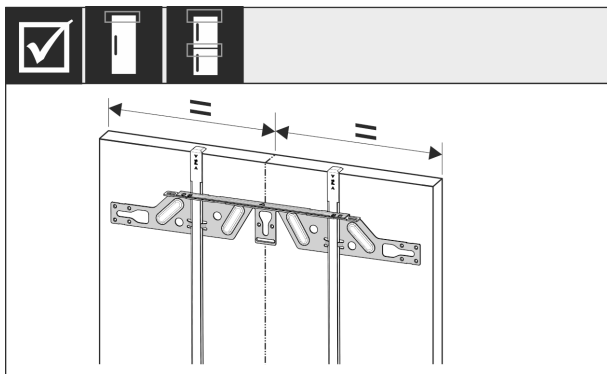


Fig. 55

- ▶ Center-align the crosspiece on the inside of the cabinet door.

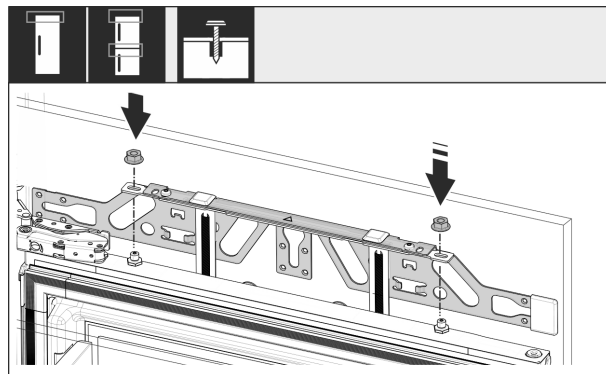


Fig. 59

- ▶ Attach the unit door and loosely screw the lock nuts onto the adjusting bolts.

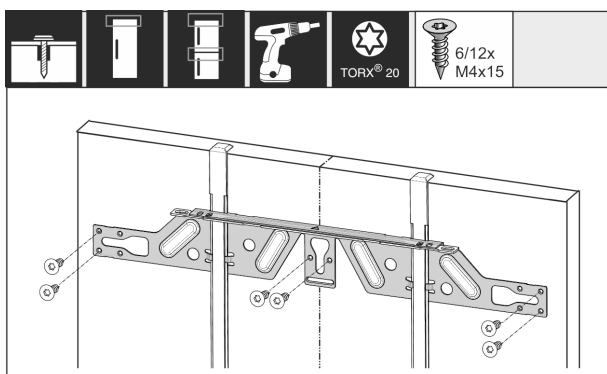


Fig. 56

- ▶ Fix the crosspiece using at least 6 screws for chipboard doors and at least 4 screws for panel doors.

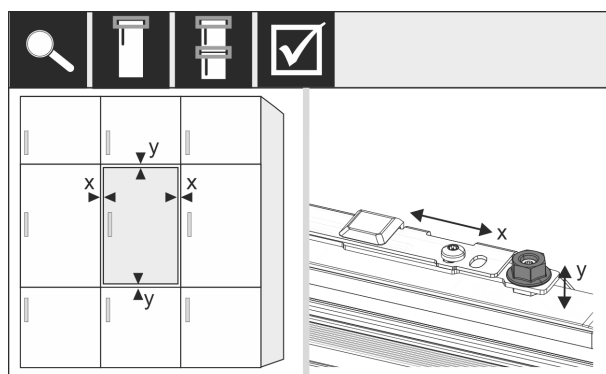


Fig. 60

- ▶ Align the unit door in the X and Y direction using the adjusting bolts.

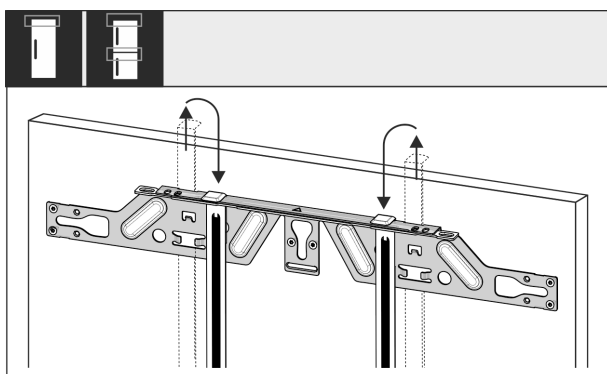


Fig. 57

- ▶ Remove the fitting aids, turn round and insert into the adjacent opening.

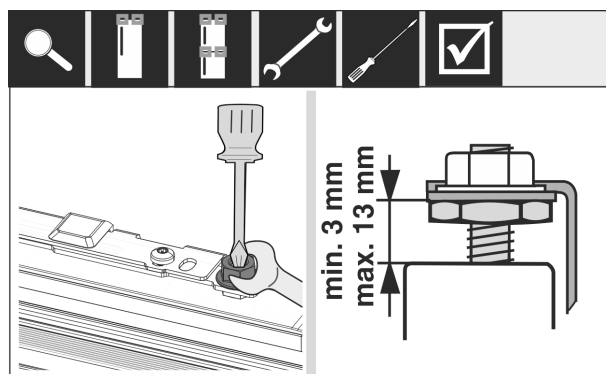


Fig. 61

- ▶ Screw on the lock nuts and check the height.

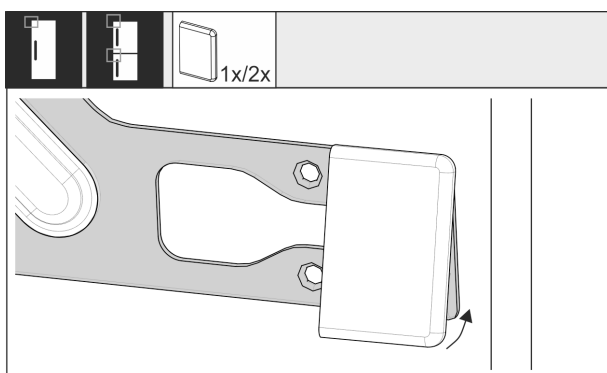


Fig. 58

- ▶ Clip the cover on the crosspiece on the handle side.

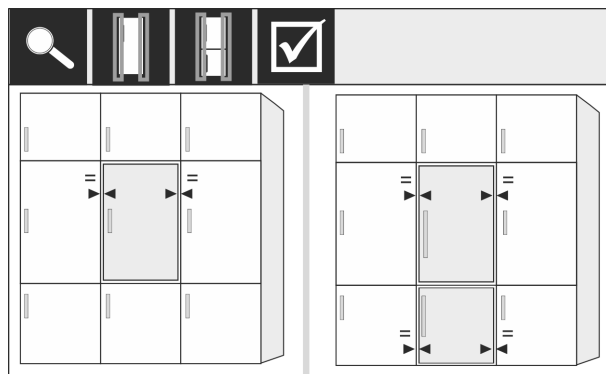


Fig. 62

- ▶ Check the gap between the door and the surrounding custom panels. For unit fronts thicker than 19 mm, take account of the dimensions and advice in the **Unit fronts** chapter.

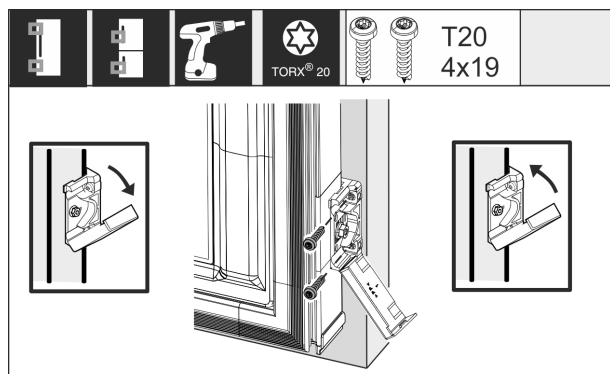


Fig. 63

- ▶ Open the cover to fit the mounting bracket on the custom panel. Align the front edge of the mounting bracket parallel with the custom panel edge and screw the bracket down tightly. Fold up the cover.

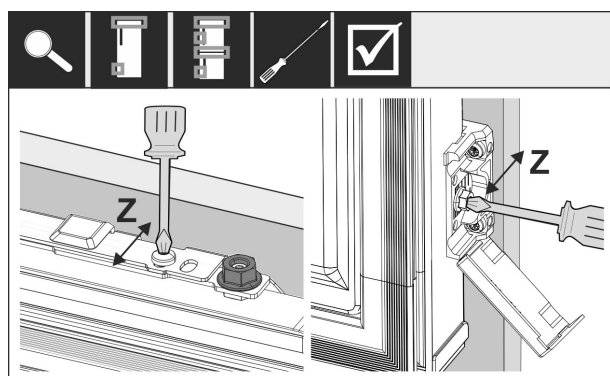


Fig. 64

Align the unit door in the Z direction:

- ▶ Loosen the adjusting screw on the crosspiece and the screw on the mounting bracket.
- ▶ Move the door.

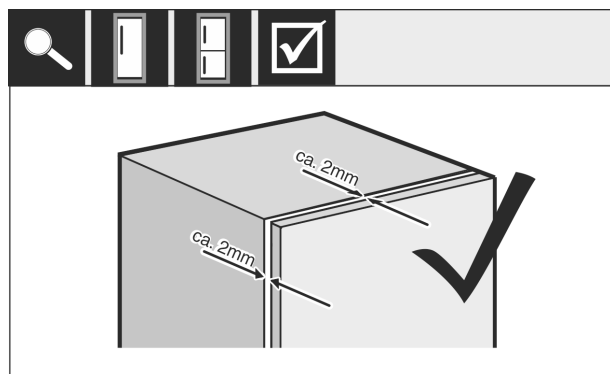


Fig. 65

- ▶ Check the gap between the custom panel and the unit body.
- ▶ Check all screws and retighten them if necessary.

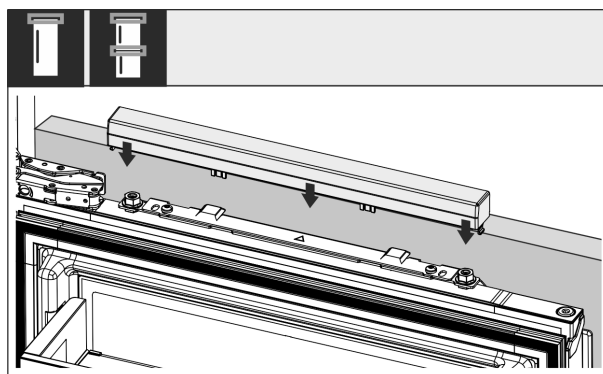


Fig. 66

- ▶ Clip the top cover on.

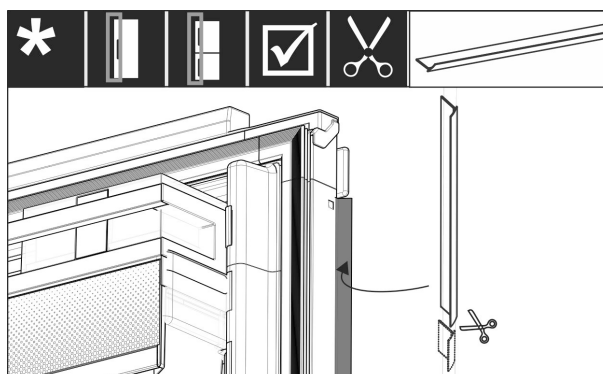


Fig. 67

- ▶ Cut the tread to size and place between the front of the cabinet and the door.

Check the following points to ensure the appliance is correctly installed. Otherwise, ice and condensation may form, and malfunctions may occur:

- ▷ The door must close properly.
- ▷ The unit door must not touch the body of the unit.
- ▷ The seal on the upper corner on the handle side must be fitted securely.

17 Cabinet fronts

17.1 Dimensions

Depending on your model, you will need one or two cabinet doors. The size of the cabinet door(s) depends on the overall recess size and cabinet unit thickness.

Note

Observe the appliance and recess dimensions and follow the installation diagrams (see 3 Appliance dimensions) (see 4 Recess dimensions). See the relevant catalog for the installation diagrams.

General requirements:

- Please refer to our catalogs for appliance-specific recommendations on size and weight for fixed door installations.
- The cabinet unit thickness should be at least 16 mm and no bigger than 19 mm.
- When mounting a 2-door cabinet door, observe the recommended clearance.

Cabinet fronts

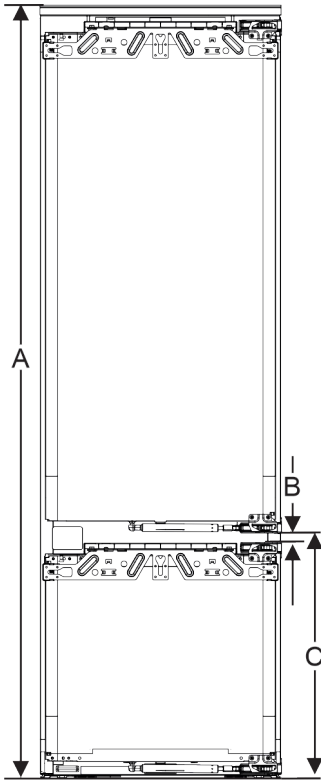


Fig. 68 Clearances for a 2-door cabinet door

Recess height	Appliance height (mm)	Distance (B) (mm)	Clearance (C) fixed door (mm)
178-2 drawers	1770	15	549+15
178-3 drawers	1770	15	695+15

Other cabinet door above, below or next to it:

- Vertical gap between cabinet doors must be 4 mm.
- Horizontal gap between cabinet doors must be 4 mm. Check the collision factors here (see 17.3 Setting the clearance to avoid collision).

Weight and hinges:

- Heavy cabinet fronts increase the stress on the hinge. The hinge may be damaged. As such, refer to the catalog for the maximum weight specification for your appliance.
- If the cabinet front exceeds the maximum permitted weight, an appliance with door-tracking device can help by loading the weight over several concealed hinges on the cabinet.
- If you use long unit fronts that protrude far above the appliances, we recommend an additional door hinge (e.g. Kamat), which must have the same pivot point as the fixed door hinge used with your appliance. By using another hinge (Kamat), the weight is shared over several points. The use of a milled compensating fastening is recommended for high unit fronts to counteract warping (convex/concave).

17.2 Mounting the cabinet front(s)

When installing, note:

- Cabinet front must be installed symmetrically to the refrigerator door.
- Adjoining cabinet front is exactly level.
- Adjoining cabinet front has the same edge radius as the front of the appliance.

- Cabinet front is flat and tension-free.
- Cabinet front is adjusted to a minimum depth of approx. 2 mm to the unit body.
- ▶ Fit the appliance into the recess (see 16 Fit the appliance into the recess).
- ▶ Attach the cabinet front to the appliance door (see 16 Fit the appliance into the recess).
- ▶ Check the cabinet front does not collide with anything (see 17.3 Setting the clearance to avoid collision).

17.3 Setting the clearance to avoid collision

After installing the cabinet front(s), check that the cabinet fronts do not collide.

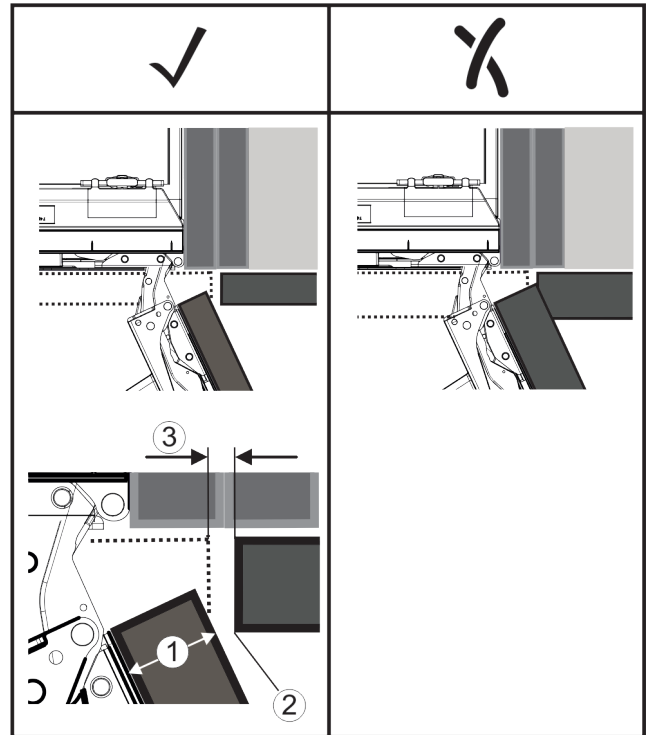


Fig. 69

(1) Front thickness (FD)

(3) Clearance size (S)

(2) Edge radius (R)

FD(1) (mm)	R (2) = 0 mm		R = 1,2 mm		R = 2 mm		R = 3 mm	
	G _{min}	G _{max}	G _{min}	G _{max}	G _{min}	G _{max}	G _{min}	G _{max}
16	0,3	0,9	0,1	0,4	0,1	0,2	0,1	0,2
19	0,7	2,4	0,3	1,9	0,23	3,25	0,1	0,8
20	2	4,3	1,5	3,6	1	3,1	0,6	2,7
22	3,5	6,3	3	5,6	2,6	5,3	2,1	4,6
24	5,5	8,3	5	7,8	4,5	7,4	4	6,9
26	7,6	10,7	7	10,3	6,6	9,9	6,2	9,4

Fig. 70 Table of clearance limits

G_{min} = min. clearance in mm

G_{max} = max. clearance in mm

Note

When making adjustments, always make sure that the cabinet front suits the general appearance.

Check the collision factors and adjust them accordingly:

- ▶ Determine the front thickness and edge radius.
- ▶ Refer to the table for the min./max. clearance dimensions.
- ▶ Check the clearance size against the table.
- ▶ Do one of the following depending on the measured clearance size.

Clearance size	Description
$S > G_{max}$	If the clearance size is greater than the two limits, you do not need to make any adjustments.
$S < G_{min}$	If the clearance size is below the limits, you must increase it. Another option is to increase the edge radius.
$G_{min} \leq S \leq G_{max}$	If the clearance is between the two limits, you have to be careful. This will quickly lead to collisions.

18 Water tank

Depending on your model, the InfinitySpring water tank is behind the lowest drawer in the fridge or BioFresh compartment

18.1 Inserting the water tank

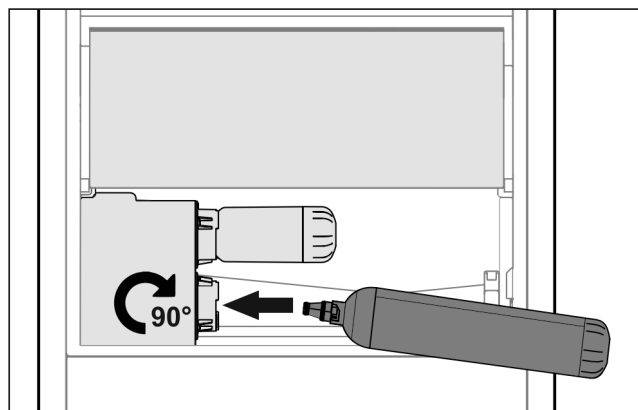


Fig. 71

- ▶ Remove the drawer.
- ▶ Insert the water tank and turn approx. 90° to the right until it engages.
- ▶ Check that the water tank is sealed and no water leaks out.
- ▶ Insert the drawer.
- ▶ Vent the water system (see Installation Instructions, Water Connection)

Instead of the water filter, you can use an additional water tank.

Note

The water tank is available as a spare part.

19 Water filter

Depending on your model, the water filter is behind the lowest drawer in the fridge or BioFresh compartment.

It absorbs deposits in the water and reduces the taste of chlorine.

- Replace the water filter at least every 6 months under the specified usage conditions or if the flow rate drops significantly.
- The water filter contains carbon and can be disposed of with the regular household waste.

Note

You can purchase the water filter from the [Liebherr household appliance store](http://home.liebherr.com) (home.liebherr.com).

19.1 Installing the water filter

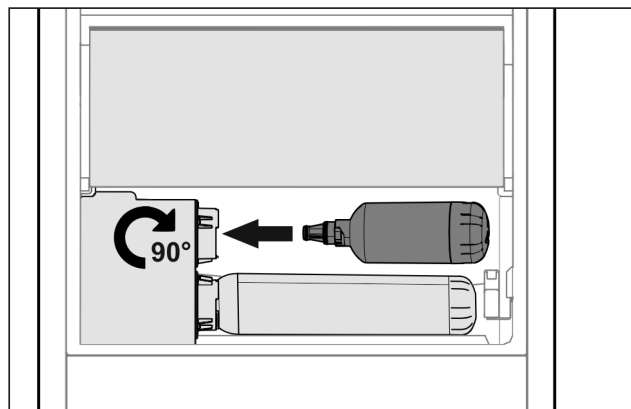


Fig. 72

- ▶ Remove the drawer.
- ▶ Insert the water filter and turn clockwise approx. 90° until it engages.
- ▶ Make sure the filter does not leak and no water is coming out.
- ▶ Insert the drawer.



CAUTION

New water filters may contain particulate matter.

- ▶ Dispense 3 l of water through the InfinitySpring and pour away.

▷ The water filter is now ready for use.

20 Connecting the appliance



WARNING

Incorrect connection!

Risk of fire.

- ▶ Do not use an extension cord.
- ▶ Do not use a multipoint connector strip.

NOTICE

Incorrect connection!

Damage to the electronics.

- ▶ Do not connect the appliance to a stand-alone inverter, e.g. solar power systems and petrol generators.
- ▶ Do not use an energy saving plug.

Note

Only use the mains cable supplied.

- ▶ A longer mains cable can be ordered from Customer Service.

Make sure that the following requirements are fulfilled:

- The type of current and voltage at the installation site complies with the information on the serial tag .
- The socket is grounded and fused in accordance with regulations.
- The tripping current for the fuse is between 10 and 16 A.
- The socket is easily accessible.
- ▶ Check the electrical connection.
- ▶ Connect the mains plug to the power supply.
- ▷ The Liebherr logo appears on the screen.
- ▷ The display switches to the standby symbol.



home.liebherr.com/fridge-manuals

EN Refrigerators and freezers for integrated use, door-on-door

Issue date: 20221026

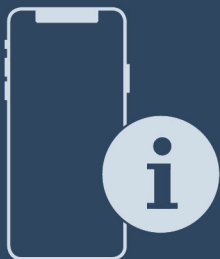
Part number index: 7088230-00

Liebherr-Hausgeräte Ochsenhausen GmbH
Memminger Straße 77-79
88416 Ochsenhausen
Deutschland



Installation Guide

Quality, Design and Innovation



home.liebherr.com/fridge-manuals




LIEBHERR


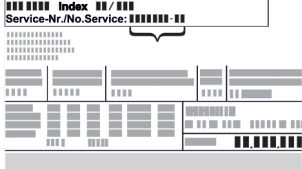




General safety instructions

Contents

1	General safety instructions.....	2
2	Setup conditions.....	3
2.1	Space.....	3
2.2	Setting up multiple appliances.....	3
2.3	Electrical connection.....	3
3	Appliance dimensions.....	4
4	Recess dimensions.....	4
4.1	Internal dimensions.....	4
5	Ventilation requirements.....	5
6	Custom panel weights.....	5
6.1	Weight.....	5
7	Transporting the appliance.....	6
8	Unpacking the appliance.....	6
9	Setting up the appliance.....	6
9.1	After setup.....	6
10	Disposal of packaging.....	6
11	Explanatory symbols used.....	6
12	*** freezer compartment door*.....	7
12.1	Moving the door hinge.....	7
13	Reversing the door.....	8
14	Water connection*.....	10
15	Connect the water supply.....	10
16	Fit the appliance into the recess.....	11
17	Cabinet fronts.....	17
17.1	Dimensions.....	17
17.2	Mounting the cabinet front(s).....	18
17.3	Setting the clearance to avoid collision.....	18
18	Water tank.....	19
18.1	Inserting the water tank.....	19
19	Water filter.....	19
19.1	Installing the water filter.....	19
20	Connecting the appliance.....	19

The manufacturer is constantly working to improve all types and models. Therefore, please be aware that we reserve the right to make changes to the shape, equipment and technology.

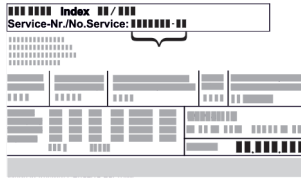
Symbol	Explanation
	Read instructions Please read the information in these instructions carefully to understand all of the benefits of your new appliance.

Symbol	Explanation
	Full instructions on the internet You can find detailed instructions on the internet using the QR code on the front of these instruction or by entering the service number at home.liebherr.com/fridge-manuals . The service number can be found on the serial tag:  <i>Fig. Example illustration</i>
	Check appliance Check all parts for transport damage. If you have any complaints, please contact your agent or customer service.
	Differences These instructions apply to a range of models, so there may be differences. Sections that apply to certain models only are indicated by an asterisk (*).
	Instructions and results Instructions are marked with a ▶. Results are marked with a ▷.
	Videos Videos about the appliances are available on the YouTube channel of Liebherr-Hausgeräte.

1 General safety instructions

- Please keep this assembly manual in a safe place so you can refer back to it at any time.
- If you pass the appliance on, please hand this assembly manual to the new owner.
- Read this assembly manual before installation and use in order to use the appliance safely and correctly. Follow the instructions, safety instructions and warning messages included at all times. They are important for ensuring you can operate and install the appliance safely and without any problems.
- First read the general safety instructions in the “General safety instructions” section of the **operating instructions**, which accompany these installation instructions, and follow them. If you cannot find the **operating instructions**, you can download the **operating instructions** from the internet by entering the service number at home.liebherr.com/fridge-manuals. The

service number can be found on the serial



tag:

- **Observe the warning messages and other detailed information in the other sections when installing the appliance:**

	DANGER	indicates a hazardous situation, which if not avoided, will result in death or serious injury.
	WARNING	indicates a hazardous situation, which if not avoided, could result in death or serious injury.
	CAUTION	indicates a hazardous situation, which if not avoided, will result in minor or moderate injury.
	NOTICE	indicates a hazardous situation, which if not avoided, could result in damage to property.
	Note	indicates useful advice and tips.

2 Setup conditions



WARNING

Risk of fire due to moisture!

If live parts or the power cord get wet, this can cause a short circuit.

- ▶ The appliance is designed for use in enclosed spaces. Do not operate the appliance in open space or in damp areas or where there is spray.

Normal use

- Only set up and use the appliance in enclosed spaces.
- Only use once installed.

2.1 Space



WARNING

Leaking refrigerant and oil!

Fire. The refrigerant contained within the appliance is environmentally friendly, but flammable. The oil contained within the appliance is flammable. Escaping refrigerant and oil can ignite if they are of high enough concentration and are exposed to an external heat source.

- ▶ Do not damage the pipelines of the coolant circuit and the compressor.

- If the appliance is installed in a very damp environment condensate water may form on the outside of the appliance.

Always make sure the installation area is well ventilated.

- The more refrigerant is in the appliance, the larger the room must be where the appliance is located. In the case of a leak, a flammable gas-air mixture may be created in a room that is too small. For every 8 g of refrigerant, the installation space must be at least 1 m³. Specifications regarding the refrigerant contained within the appliance can be found on the rating plate inside the appliance.

2.1.1 Installation surface

- The floor of the installation site must be horizontal and level.
- If the floor is not completely even, level the cabinet with supports.

2.1.2 Installation position

- Do not install the appliance in direct sunlight or next to an oven, heater, or similar heat source.
- Only install the appliance in solid cabinets.

2.2 Setting up multiple appliances

NOTICE

Risk of damage caused by water condensate!

- ▶ Do not install this device directly beside another fridge/freezer compartment.

NOTICE

Risk of damage caused by water condensate!

- ▶ Do not stack the appliance directly on top of another.

These appliances are designed for different types of installation. Only combine appliances if the appliances are designed for this. The following table shows the installation options by model:

Setup type	Model
Single	All models
Side-by-Side (SBS)	Model that start with S...
Stacked	Models up to maximum recess height of 880 mm and with heated top can be "stacked". Top appliance: to the max. recess height of 140 mm

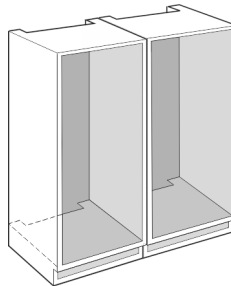


Fig. 1

Install each appliance into its own recess.

2.3 Electrical connection



WARNING

Improper use!

Fire. If a power cable/plug comes into contact with the back of the appliance, the power cable/plug can be damaged by appliance vibrations and this may result in a short circuit.

- ▶ Install the appliance so that it does not touch any plugs or power cables.
- ▶ Do not connect any appliances to sockets in the area of the back of the appliance.
- ▶ Multi-sockets/power distributors and other electronic appliances (such as halogen transformers) may not be placed and operated at the back of appliances.

Appliance dimensions

3 Appliance dimensions

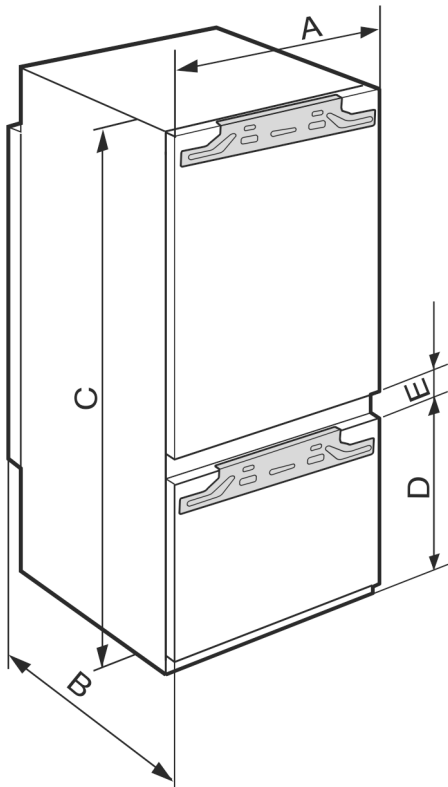


Fig. 2

	A (mm)	B (mm)	C (mm)	D (mm)	E (mm)
ICB/b/c/i/d/ 51..	559	546	1770	549	15
IC/e/d 51..				695	
S/ICN/c/f/d/e/i 51.. ICBN/c/e/l/d/h 51..					

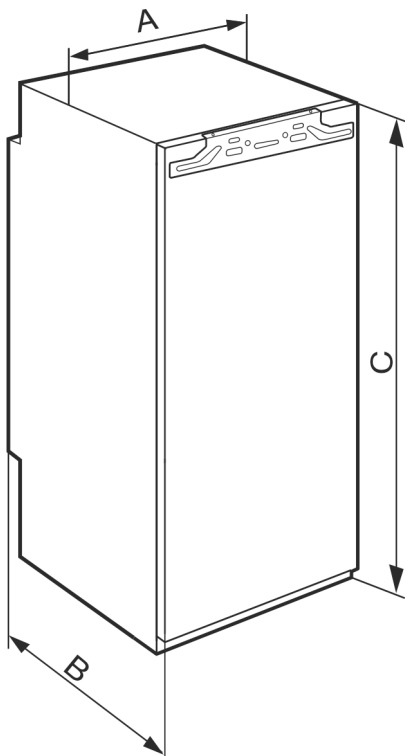


Fig. 3

	A (mm)	B (mm)	C (mm)
IFNe 35..	559	546	712
IR/f/e/d/c 39.. SIBa 39.. S/IFN/e/d 39..			872
IRe 40.. IRBd 40..			1022
IR/e/d 41.. IRB/b/d/i 41.. SIFNd 41..			1213
IRe 45.. IRBd 45.. SIFNd 45..			1395
IRBe 48..			1572
IR/f/e 51.. IRe 1784 IRD/c/e/d/i/ 51.. IRB/P/d/e/hi/ di 51.. SIFn/f/h/e/i 51..			1770

4 Recess dimensions

4.1 Internal dimensions

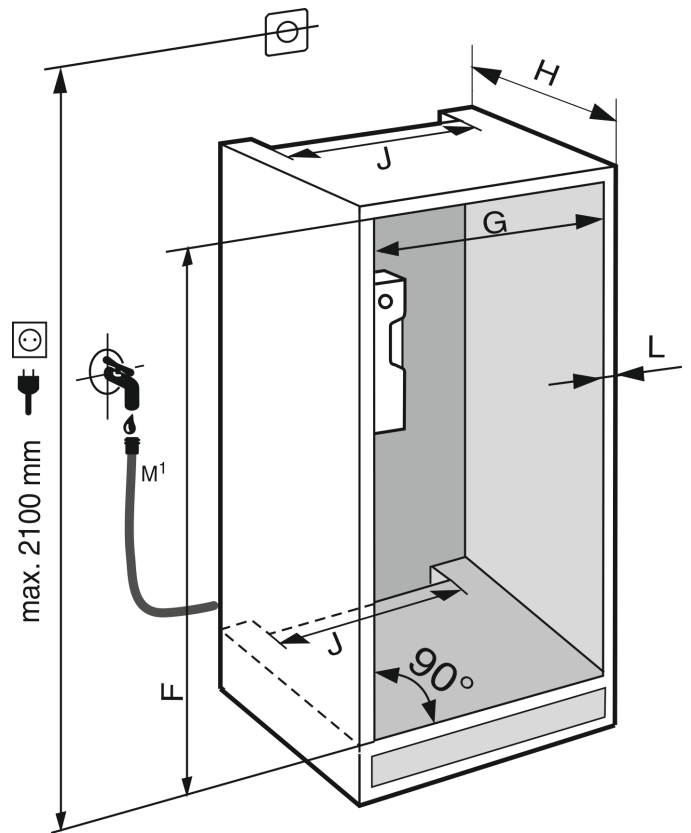


Fig. 4 *

M¹): Only IRBdi 5180/5190, ICNdi 5173, ICBNd/i 5163/73/83, ICBdi 5182*

	F (mm)*	G (mm)*	H (mm)*	J (mm)*	L (mm)*
IFNe 35..	714 -730				
IR/f/e/d/c 39.. SIBa 39.. IF/Se 39.. S/IFNe/d 39..	874 – 890				
IRe 40.. IRBd 40..	1024 – 1040				
IR/e/d 41.. IRB/b/d/i 41.. SIFNd 41..	1216 – 1236				
IRe 45.. IRBd 45.. SIFNd 45..	1397 – 1413				
IRBe 48..	1574 – 1590	560 – 570	min. 550, recom- mended 560	min. 500	max. 19
IR/f/e 51.. IRe 1784 IRD/c/e/d /i/ 51.. IC/e/d 51.. S/ICN/c/f /d/e/i 51.. ICB/N/c/e/l/d/h 51.. IRB/P/di/d/e 51.. SIFN/Sf/e /ei/h/hi/ 51..	1772 – 1788				

The specified energy consumption was determined with a kitchen unit depth of 560 mm. The appliance will work properly at a kitchen unit depth of 550 mm, but with a slightly higher energy consumption.

- ▶ Check the wall thickness of adjacent cabinets: It must be min. 16 mm.
- ▶ Only install the appliance in solid, fixed kitchen cabinets. Ensure that the cabinets cannot tip over.
- ▶ Align the cabinets with a spirit level and a try square. If necessary, level them by putting something underneath them.
- ▶ Ensure that the floor and the side panels of the cabinet are at right angles to each other.

5 Ventilation requirements

NOTICE

Covered vents!

Damage. Appliance can overheat, which can reduce the service life of various parts of the appliance and lead to functional impairments.

- ▶ Always ensure good ventilation.
- ▶ Always keep vents or ventilation grills in the appliance housing and in the kitchen structure (built-in appliance) unobstructed.
- ▶ Never block air vents of the fan.

Comply with the ventilation gaps:

- The depth of the ventilation shaft on the back wall of the cabinet must be at least 38 mm.
- At least 200 cm² is required for the ventilation cross-sections below the unit at its base and above the unit in the surrounding cabinet.
- Basically, the larger the ventilation cross-section, the more efficiently the appliance will run.

Sufficient ventilation is required for the appliance to operate correctly. The pre-fitted vents ensure an effective air-flow cross-section on the appliance of 200 cm². If you replace the vents with a cover panel, it must have at least an equal or larger air-flow cross-section than the manufacturer's vent.

6 Custom panel weights

6.1 Weight

NOTICE

An excessively heavy custom panel can potentially cause damage!

If the custom panel is too heavy, damage to the hinges cannot be ruled out, which may compromise the functionality of the unit.

- ▶ Before installing the custom panel, ensure the custom panel does not exceed the permissible weight.

Recess heights (cm)*	Appliance type*	Maximum weight of the custom panel (kg)*
72	IF..35..	16
88	IR..39.. SIB...39.. IF..39..	16
102	IR...40..	13
122	IR...41.. SIF..41..	19
140	IR...45.. SIF..45..	21
158	IR...48..	22
178	IR...51.. SIF..51..	26

Single-door fridges and freezers

Transporting the appliance

Recess heights (cm)*	Appliance type*	Maximum weight of the custom panel (kg)*	
		Fridge compartment door*	Freezer compartment door*
178	S / IC...51	18	12

Combinations

7 Transporting the appliance

- ▶ Transport the appliance in its packaging.
- ▶ Transport the appliance upright.
- ▶ Use two people when transporting the appliance.

8 Unpacking the appliance

If the appliance is damaged check with the supplier immediately before connecting it.

- ▶ Check the appliance and packaging for damage during transport. If you suspect any damage, please contact your supplier immediately.
- ▶ Remove all materials that could prevent it from being installed properly or prevent proper ventilation from the back or the side panels of the appliance.
- ▶ Remove all protective films from the appliance. Do not use sharp or pointed objects for this.
- ▶ Remove the mains cable from the back of the appliance. Also remove the cable holder, otherwise there will be vibration noise!

9 Setting up the appliance



CAUTION

Risk of personal injury!

- ▶ Have two people move this appliance into place.



WARNING

Unstable appliance!

Risk of injury and damage. The appliance can tip over.

- ▶ Secure the appliance according to the operating instructions.



WARNING

Danger of fire and damage!

- ▶ Do not place devices that give off heat, e.g. microwaves, toasters, etc. on the appliance.

If possible, have a professional install the appliance in your kitchen cabinet unit.

Do not install the appliance without assistance.

9.1 After setup

- ▶ Remove all transport packaging.

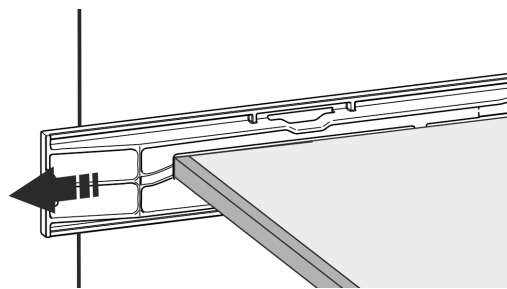
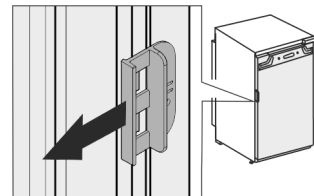
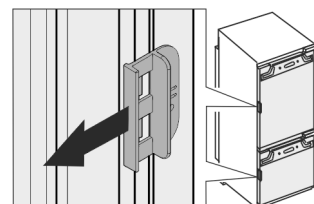


Fig. 5



- ▶ Pull off the transport lock on the appliance door.



- ▶ Clean the appliance (see User Guide, Cleaning the appliance).

10 Disposal of packaging



WARNING

Danger of suffocation from packaging materials and films!

- ▶ Do not allow children to play with packaging materials.

The packaging is made from recyclable materials:

- Corrugated card/cardboard
- Parts made of foamed polystyrene
- Films and bags from polyethylene
- Packing bands from polypropylene
- Wood frame nailed together with a polyethylene window*








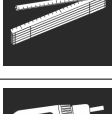

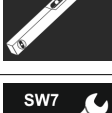

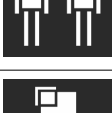



- ▶ Take the packaging material to an official collection point.








11 Explanatory symbols used

	There is the risk of injury when doing this! Obey the safety instructions!
	These instructions apply to several models. Only perform this step if it applies to your appliance.
	To install, please follow the detailed description in the Guide.
	This section applies either to a single-door appliance or a double-door appliance.

**** freezer compartment door*

	Choose one of the options: Appliance with right-hinged door or appliance with left-hinged door.
	Installation step necessary with IceMaker and/or InfinitySpring.
	Loosen or tighten screws slightly.
	Tighten the screws fully.
	Check to see if the next step applies for your model.
	Check the components are in correctly.
	Measure the specified measurement and adjust if necessary.
	Installation tool: Meter stick
	Tool for assembly: Cordless screwdriver and attachments
	Tool for assembly: Spirit level
	Tool for assembly: Size 7 and size 10 spanner
	Two people are required for this step.
	This step takes place at the selected location of the appliance.
	Aid for assembly: String
	Aid for assembly: Square

	Aid for assembly: Screwdriver
	Aid for assembly: Scissors
	Aid for assembly: Non-permanent marker pen
	Accessory kit: Remove components
	Dispose of components that are no longer needed.

12 **** freezer compartment door*

It is very easy to reposition the hinge of the **** freezer compartment door if the main door hinge is swapped. If the main door of the appliance can be opened to more than 115° (1), you can open the freezer compartment without repositioning the hinge. If the opening angle (2) of the appliance door is less than this, the hinge must be repositioned.

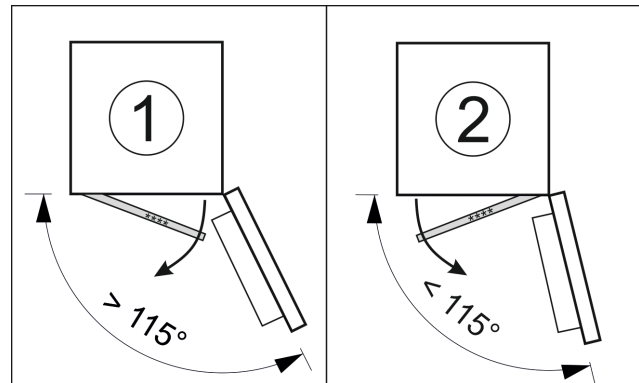


Fig. 6

12.1 Moving the door hinge

The slider for moving the door hinge is located on the back of the **** freezer compartment door at the bottom.

Reversing the door

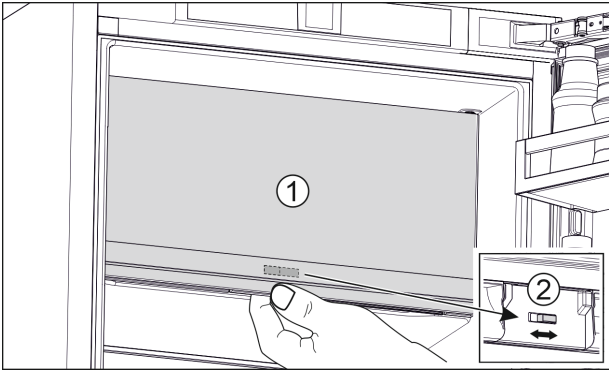


Fig. 7

- ▶ Close the *** freezer compartment door (1).
- ▶ Grab the *** freezer compartment door from below.
- ▶ Move the slider (2) either to the right or to the left.

13 Reversing the door

Tool



Fig. 8

NOTICE

Live parts!

Damage to electrical components.

- ▶ Disconnect the power plug before reversing the door.

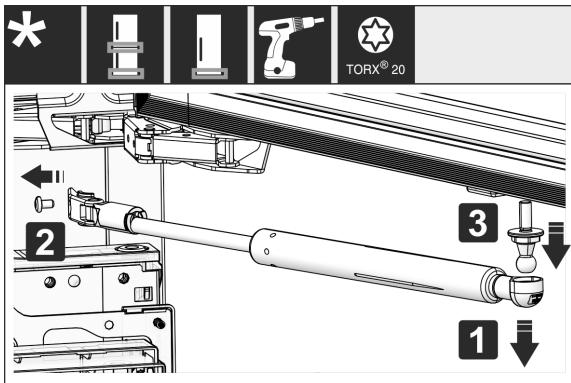


Fig. 9

- ▶ Removing the soft stop damper: Remove the soft stop damper from the ball stud (1). Unscrew the retainer (2). Remove the ball stud with a screwdriver (3).

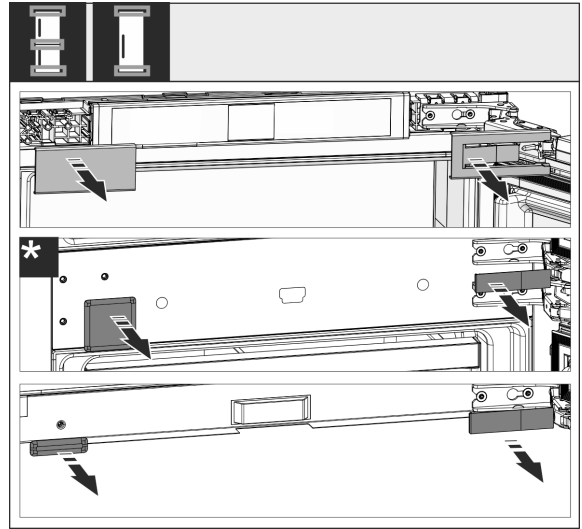


Fig. 10

- ▶ Remove covers.

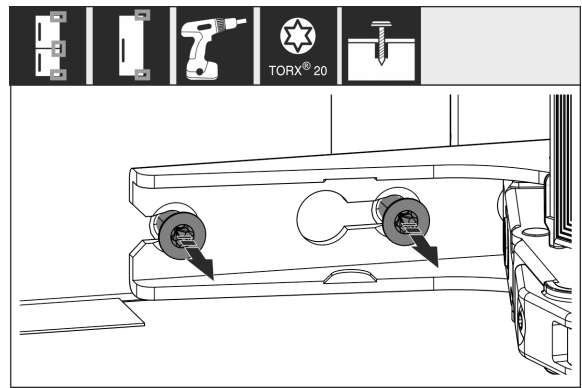


Fig. 11

- ▶ Loosen the screws on **all** hinges but do not remove them.

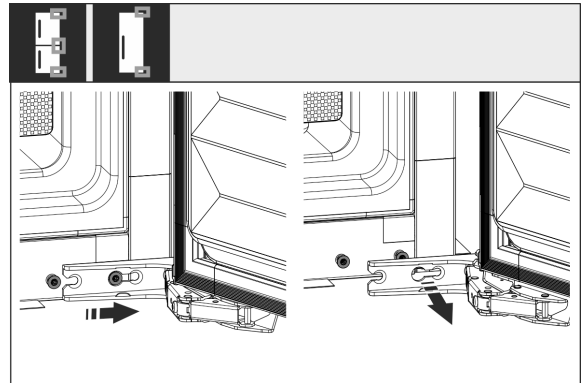


Fig. 12

- ▶ Remove the door: Push the door forward and then out, unhook it and put it to one side.

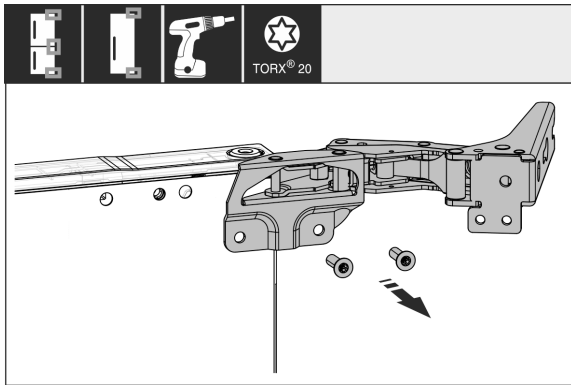


Fig. 13

- Unscrew all hinges and set aside together with the screws.

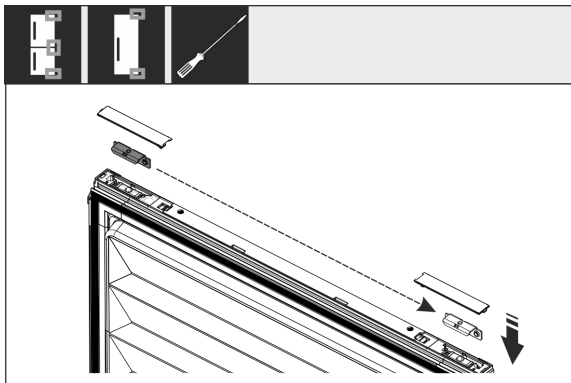


Fig. 14

- Loosen and shift the bracket at the top and bottom of the door. The bracket must be shifted so you can screw on the hinges.

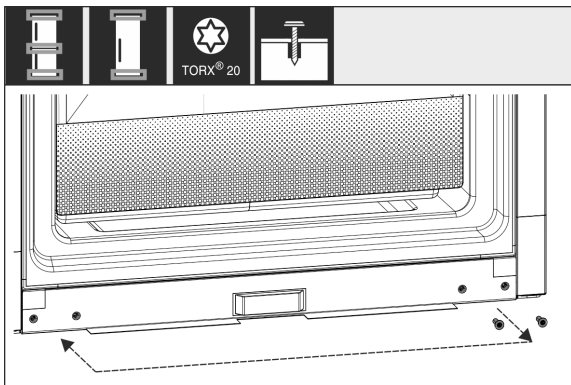


Fig. 15

- Shift the screws to fasten the hinge. Do not screw tightly after shifting – you need to hang the hinges later.

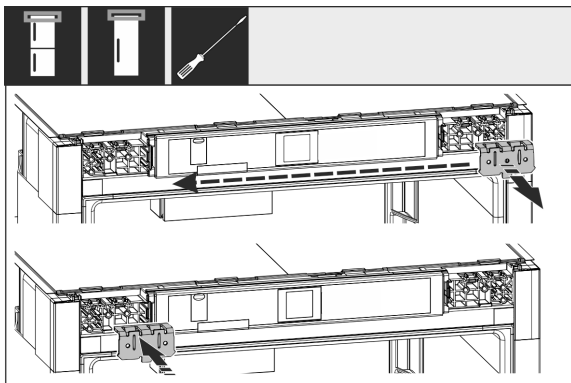


Fig. 16

- Swap the fixing bracket to the opposite side.

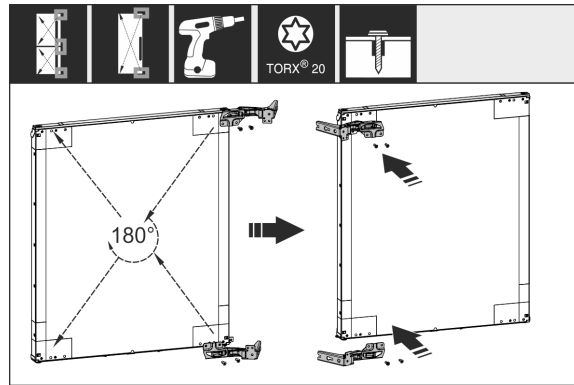


Fig. 17

- Turn all hinges 180° to the opposite side and screw firmly.

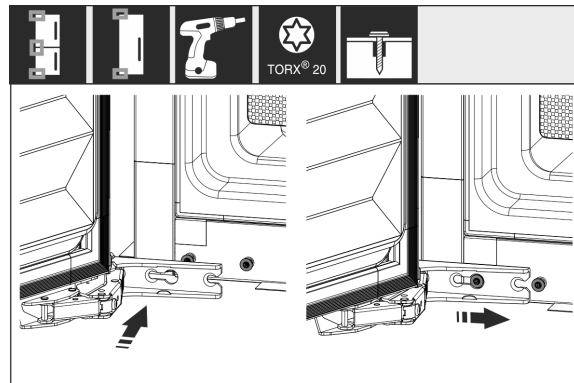


Fig. 18

- Refitting the door: Hang the door with its hinges and tighten the screws.

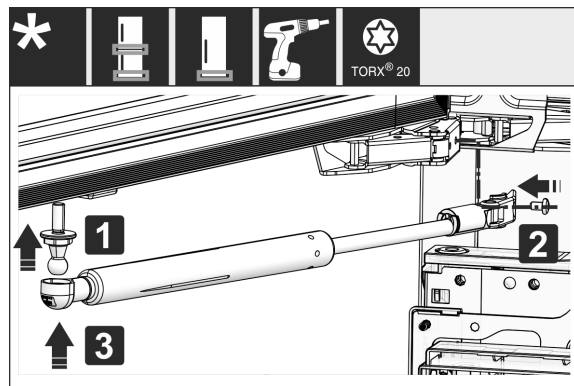


Fig. 19

- Refit the closing dampers: Screw in the ball studs (1), tighten the bracket (2), and hang the closing dampers in the ball studs.
- Check all screws and retighten if necessary.

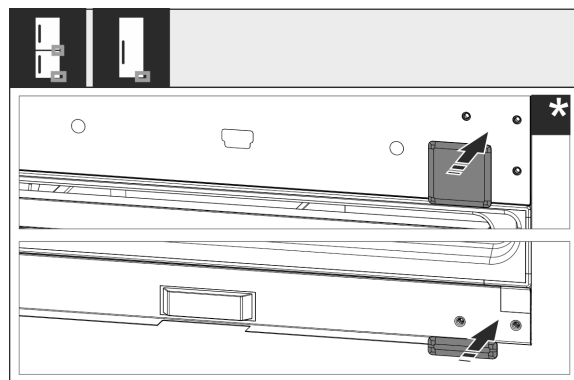


Fig. 20

Water connection*

- ▶ Reassemble the bottom and center cover. Only replace the remaining covers after installing the appliance back into the cabinet.

14 Water connection*



WARNING

Electricity and water!
Electric shock

- ▶ Before connecting to the water hose: Disconnect the appliance from the mains.
- ▶ Before connecting to water lines: Shut off the water supply.
- ▶ The drinking water connection may only be carried out by a qualified gas and water installer.



WARNING

Contaminated water!
Poisoning.

- ▶ Connect to potable water supply only.

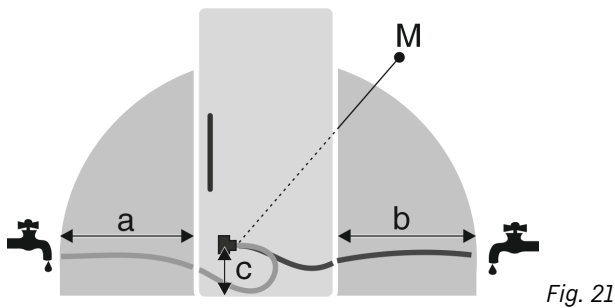


Fig. 21

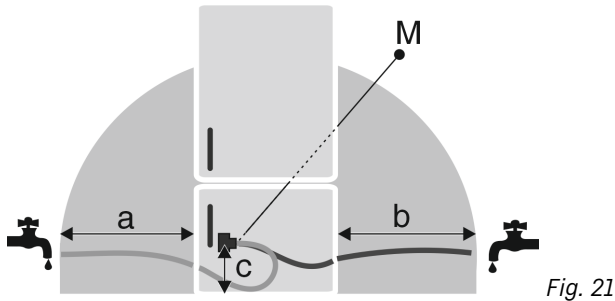


Fig. 21

a	b	c	M
~ 1200 mm	~ 1200 mm	~ 55 mm	Solenoid valve

The appliance's water connection and inlet solenoid valve are suitable for a water pressure of up to 1 MPa (10 bar).
Specifications for proper operation (flow rate, ice cube size, noise level):

Water pressure	
bar	MPa
1.5 to 6.2	0.15 to 0.62

Water pressure if using the water filter:	
bar	MPa
2.8 to 6.2	0.28 to 0.62

If the pressure exceeds 0.62 MPa (6.2 bar): Activate the pressure reducer first.

Ensure that the following conditions are met:

- Water pressure is maintained.
- Water is supplied to the appliance via a cold water pipe that can withstand the operating pressure and is connected to the drinking water supply.
- You are using the supplied hose. Old hoses are disposed of.
- The hose fitting contains a collecting filter with a gasket
- There is a stopcock between the hose and the household connection to shut off the water supply if necessary.
- The stopcock is located outside the back of the appliance and is easily accessible so that the appliance can be far back as possible and the valve can be turned on quickly, if necessary. Distance dimensions are adhered to.
- All equipment and devices used for the water supply comply with the applicable regulations of the country of use.
- The rear of appliance is accessible so that you can connect the appliance to the drinking water supply.
- Do not damage or buckle the hose when setting it up.

15 Connect the water supply

Connect the hose to the appliance

The solenoid valve is located at the bottom of the back of the appliance. Its connecting thread is R3/4.

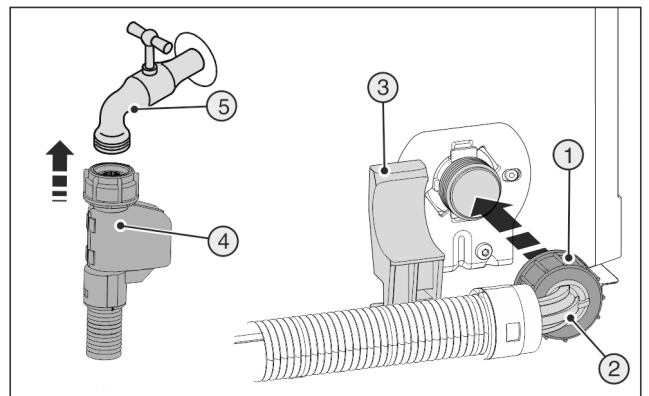


Fig. 22

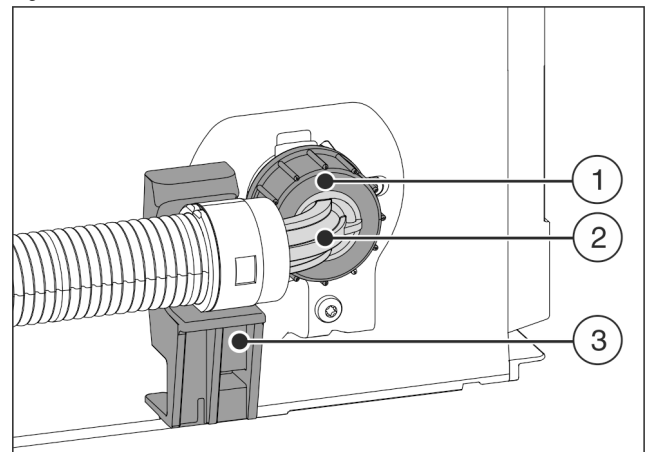


Fig. 23

- ▶ Position and hold the angled hose end Fig. 23 (2) horizontally at the holder Fig. 23 (3).
- ▶ Screw the nut Fig. 23 (1) onto the thread by hand until securely in place.

Connect the hose to the stopcock

- ▶ Connect the straight end of the hose Fig. 22 (4) to the stopcock Fig. 22 (5).

Checking the water system

- ▶ Slowly open the mains stopcock of the water supply. Before installing in the recess:

Fit the appliance into the recess

- ▶ Check the entire water system for leaks.
After installing in the recess:
- ▶ Clean the IceMaker (see User Guide, Maintenance).

Venting the water system

The system should be vented in the following situations:

- Initial commissioning
- Replacement of the InfinitySpring water tank

Make sure that the following requirements are fulfilled

- Appliance is fully installed and connected.
- Water tank is inserted (see Operating instructions, Maintenance).
- Water filter is inserted (see Operating instructions, Maintenance).
- Appliance is switched on.
- ▶ Open the appliance door.
- ▶ Take a glass and press it against the lower part of the InfinitySpring dispenser.
- ▷ The top section moves out and air or water is dispensed into the glass.
- ▶ Continue the process until a steady flow of water pours into the glass.
- ▷ There is no more air in the system.
- ▶ Clean the InfinitySpring (see User Guide, Maintenance).

16 Fit the appliance into the recess

Tool



Supplied installation parts

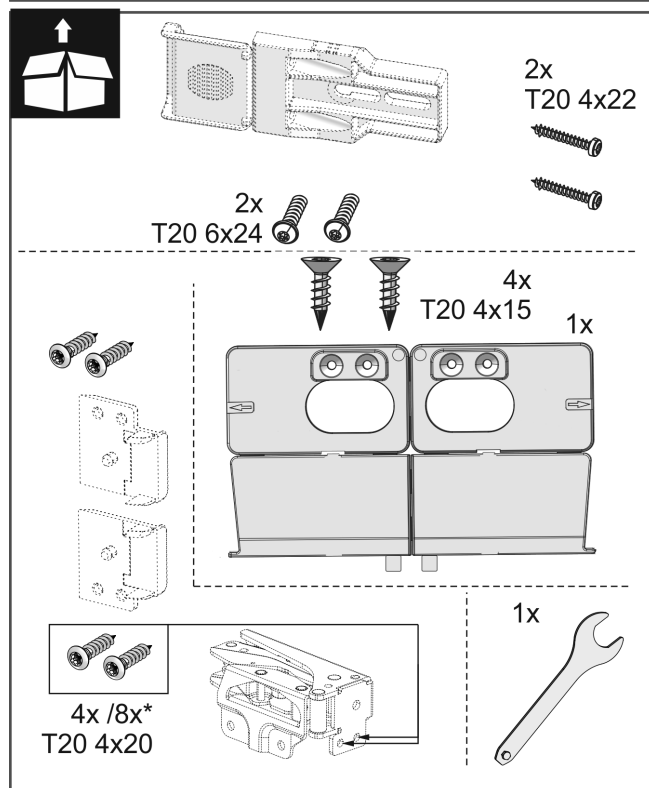
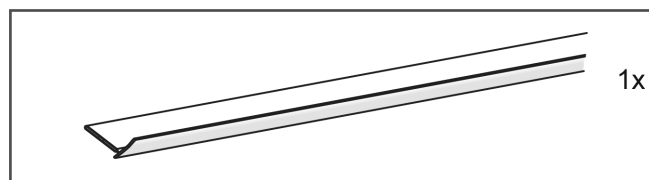
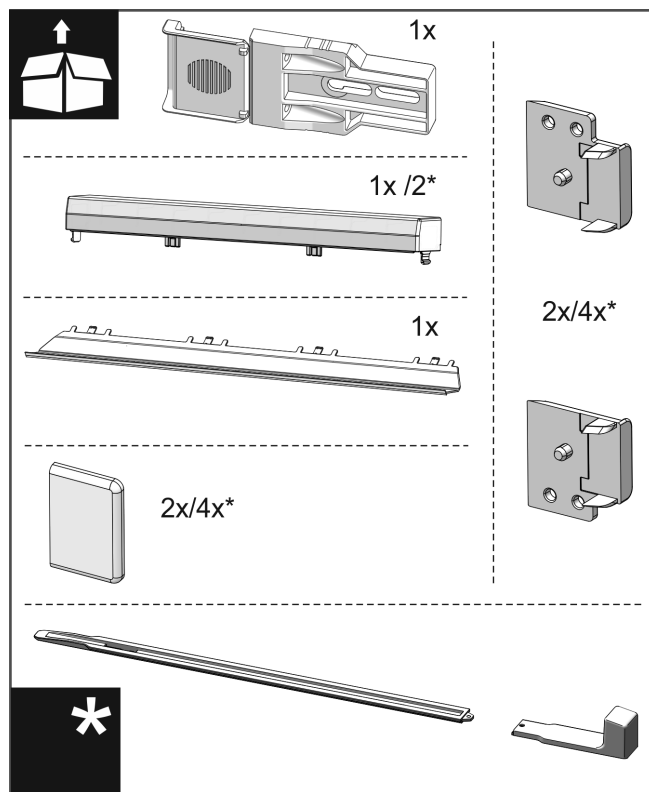


Fig. 24

Fig. 25

Fit the appliance into the recess

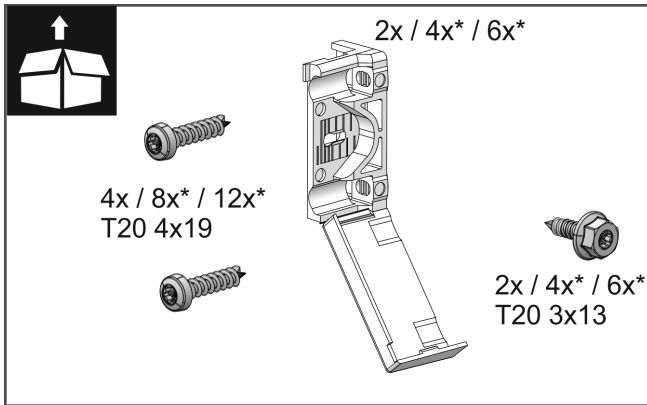


Fig. 26

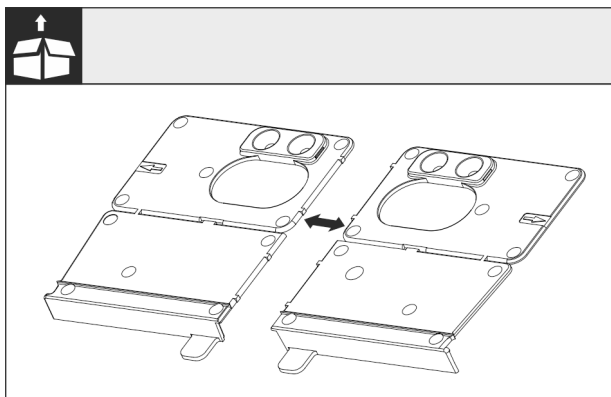


Fig. 27

- ▶ Separate the floor mounting bracket Fig. 27 () at the perforation.

NOTICE

Correct installation depth of the appliance.

- ▶ Using the mounting bracket ensures the correct installation depth of the appliance.

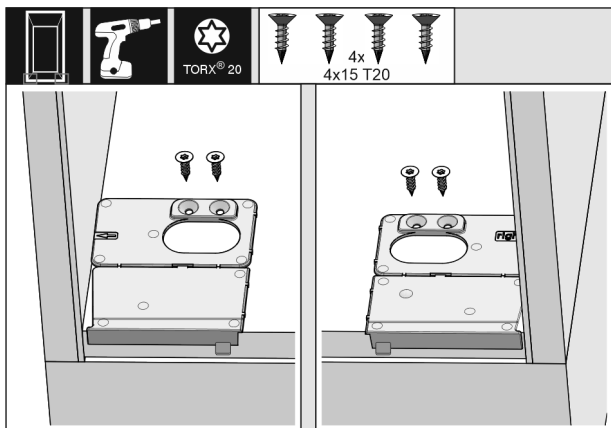


Fig. 28

- ▶ Screw the mounting brackets on the left and right of the recess floor, flush to the side wall.

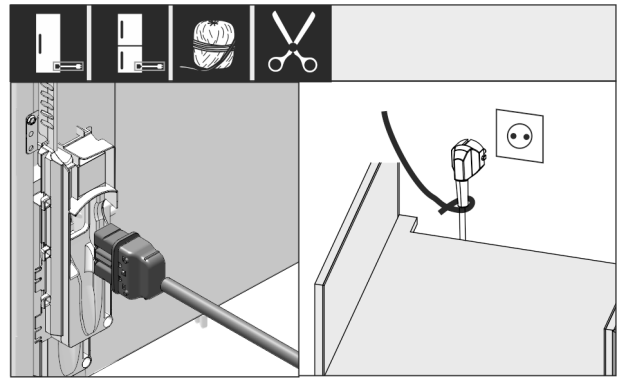


Fig. 29

- ▶ Remove the power cable from the package and plug it into the back of the appliance. Use a cable lug to lay the power plug cord to the accessible socket.

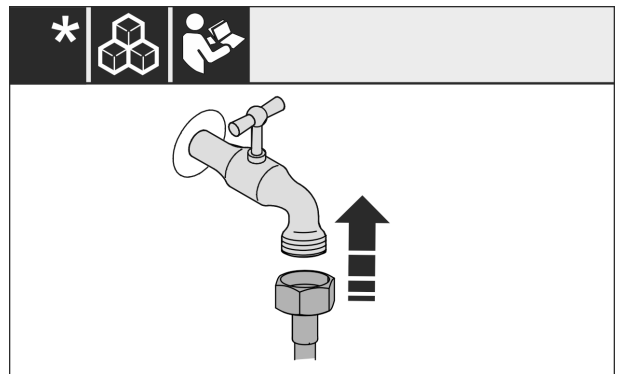


Fig. 30

- ▶ If necessary, install the water connection at this point, following the instructions in the User Guide.

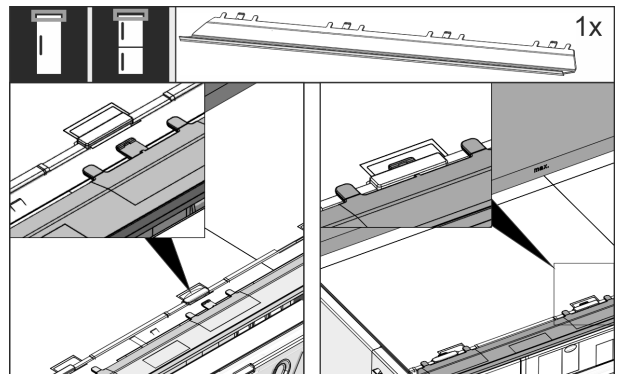


Fig. 31

- ▶ Insert the adapter panel on the top of the appliance. The panel can be moved to both sides.

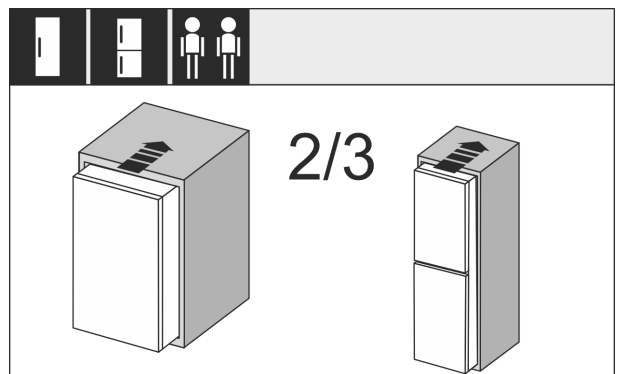


Fig. 32

- ▶ Slide the appliance 2/3 of the way into the cabinet recess.

Fit the appliance into the recess

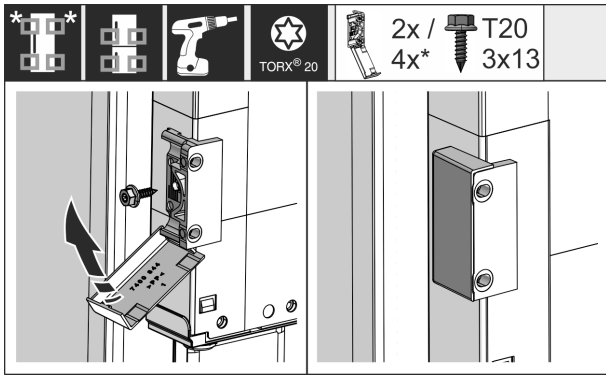


Fig. 33

- ▶ Assemble the mounting bracket. Attach the mounting brackets to align with the cabinet door handles. If the door is large use four mounting brackets in total. After assembly, fold the covers onto the bracket.

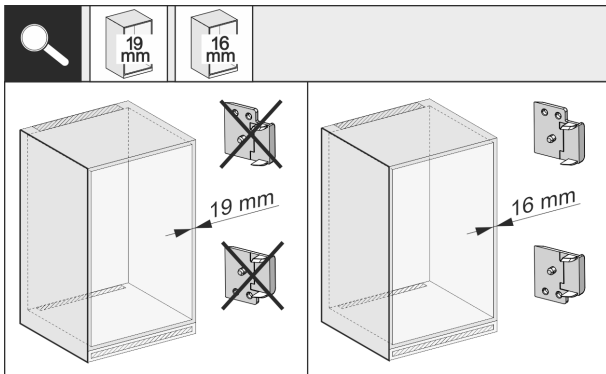


Fig. 34

- ▶ Check whether the unit side wall is 16 mm or 19 mm thick.

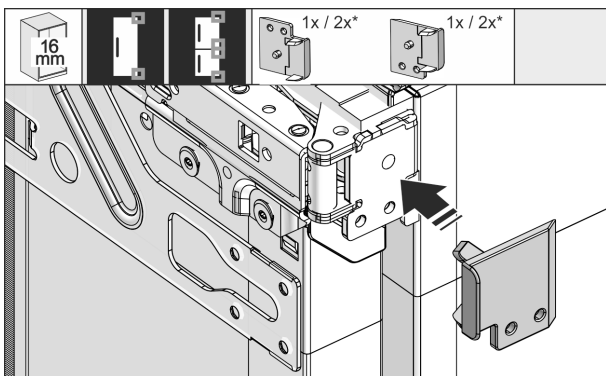


Fig. 35

- ▶ For unit walls which are 16 mm thick: Clip a spacer on all hinges. No spacer is required if the unit walls are 19 mm thick.

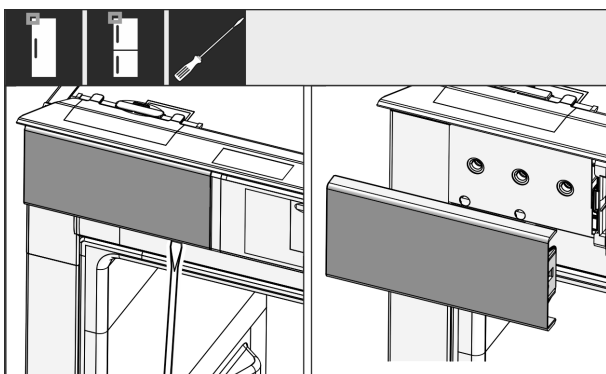


Fig. 36

- ▶ Use a screwdriver to loosen the cover at the top left and then remove it.

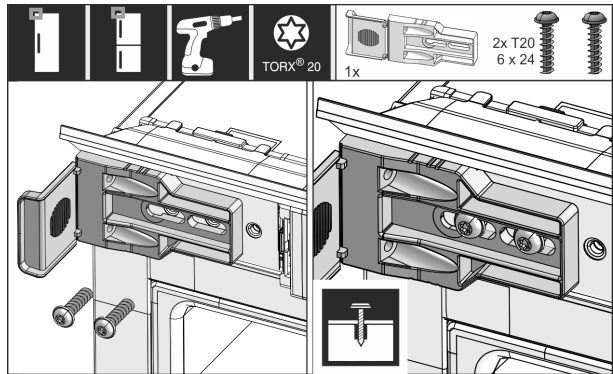


Fig. 37

- ▶ Loosely screw on the mounting bracket. The bracket should still be easy to move.

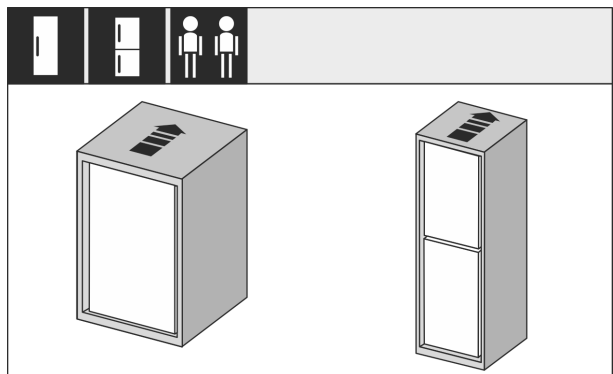


Fig. 38

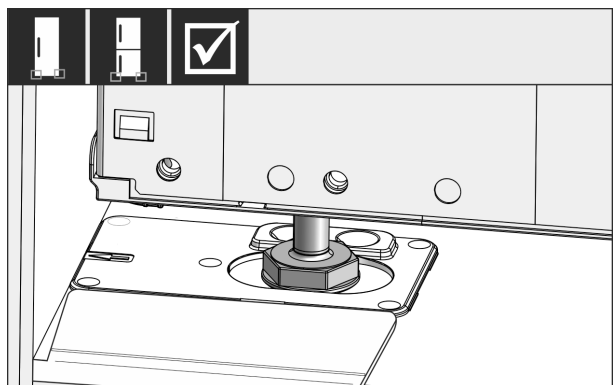


Fig. 39

- ▶ Now insert the appliance all the way into the unit recess. The adjustable feet must rest in the recesses in the brackets on both sides.

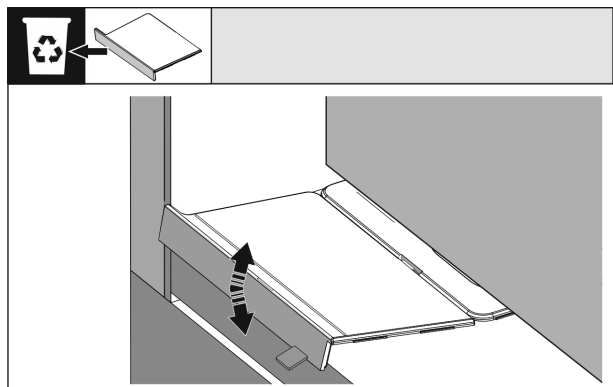


Fig. 40

Fit the appliance into the recess

- ▶ Remove the floor mounting bracket stopper. Loosen the stopper by moving it and, if necessary, pull it off with the help of pliers.

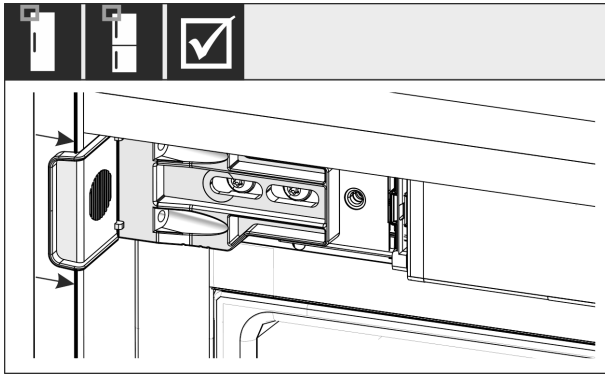


Fig. 41

- ▶ Check that the appliance is flush in the cabinet recess. The mounting bracket must be attached to the side wall of the cabinet recess.

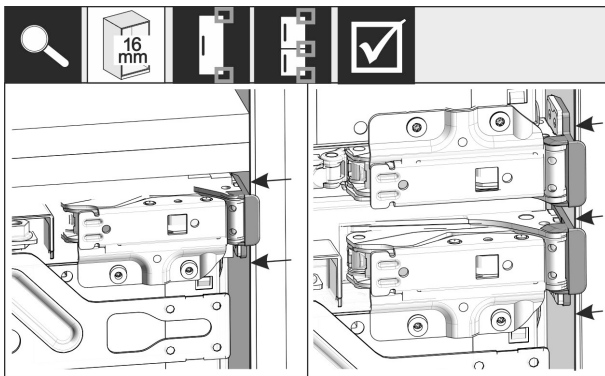


Fig. 42

- ▶ For unit side walls which are 16 mm thick, the spacers fit against the unit recess on the hinge side.

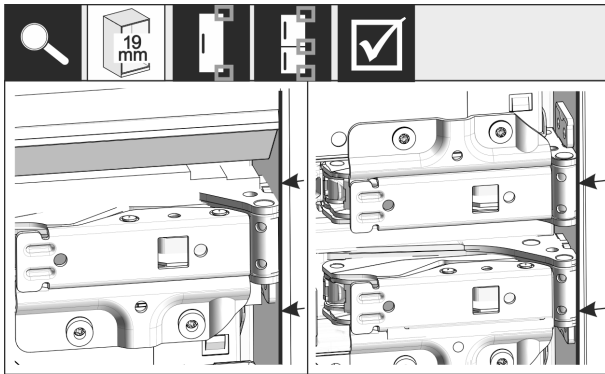


Fig. 43

- ▶ For unit side walls which are 19 mm thick, the front sides of the hinges are positioned flush against the front of the unit side wall.

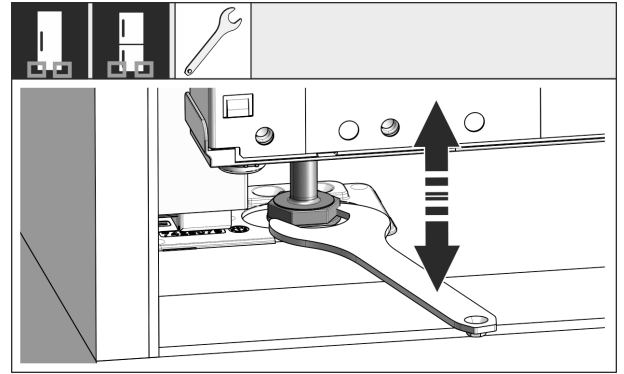


Fig. 44

- ▶ If necessary, level the appliance using the adjusting feet.

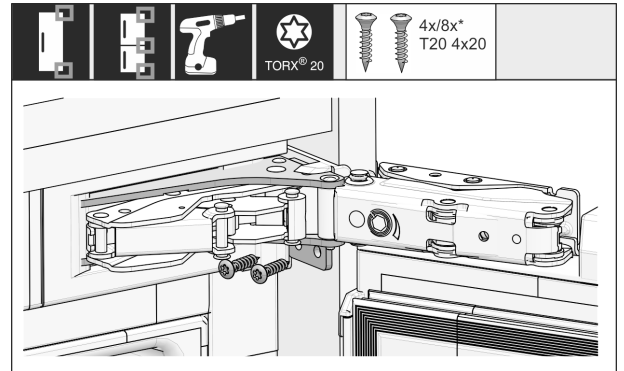


Fig. 45

- ▶ Screw on the appliance on the hinge side.

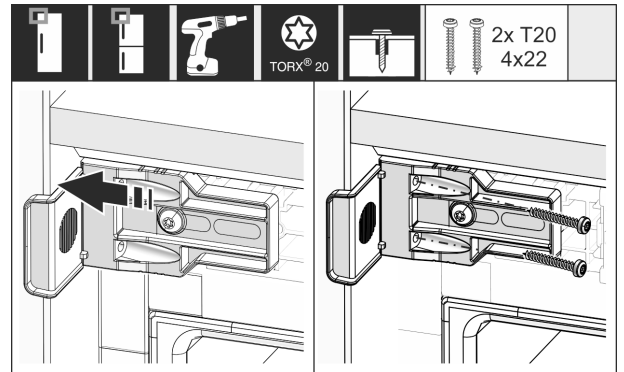


Fig. 46

- ▶ Move the bracket so it sits flush on the side wall of the cabinet recess. Tighten all the screws firmly.

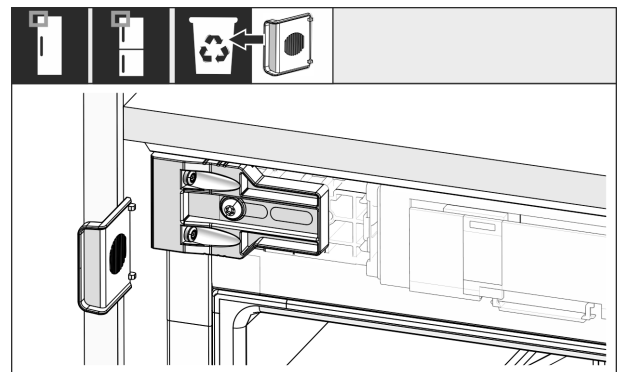


Fig. 47

- ▶ Remove the stop from the bracket on the handle side and dispose of it.

Fit the appliance into the recess

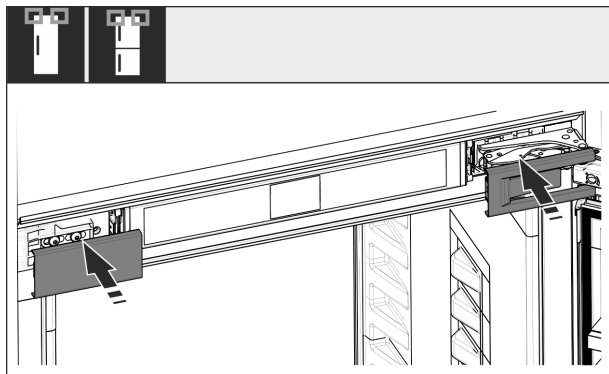


Fig. 48

- ▶ Place the cover.

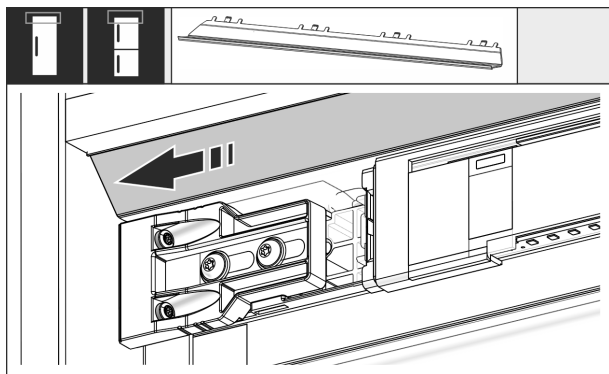


Fig. 49

- ▶ Move the cover panel so it sits flush on the side of the cabinet wall.

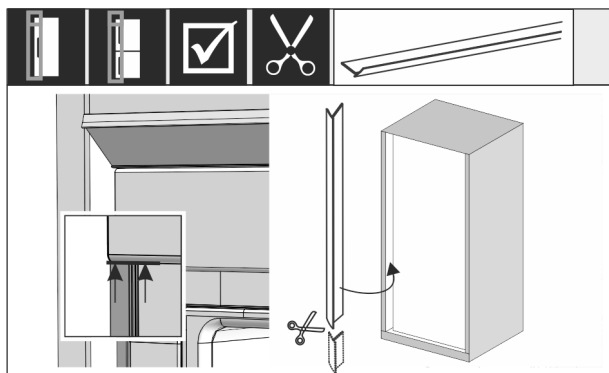


Fig. 50

- ▶ The trim is magnetic. Place the trim below the top cover and press. If necessary, shorten the trim to the required length with a sharp pair of scissors.

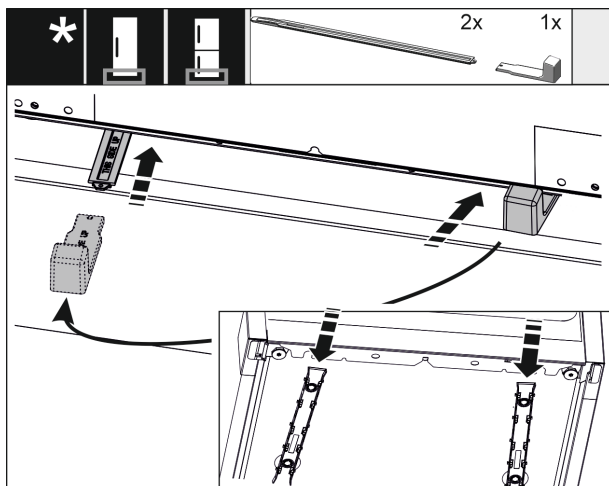


Fig. 51

* Depending on model and options

The height adjustment is only supplied as standard for recess heights of 140 cm and above. It is used for sound optimization. Both parts of the height adjustment are included in the accessory kit.

- ▶ To stabilize the appliance at the back underneath: Fit the handle onto the rail of the height adjustment and push the rail into the appliance base. Remove the handle and do the same with the second rail.

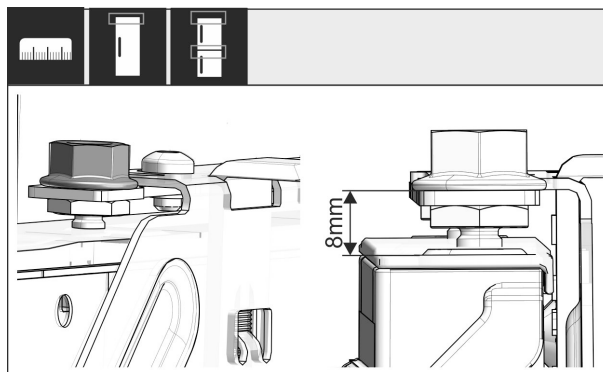


Fig. 52

- ▶ Close the door and check the preset of 8 mm from the upper edge of the appliance door to the crosspiece support

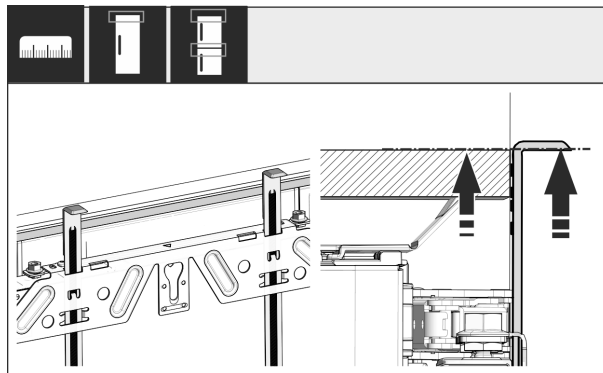


Fig. 53

- ▶ Push up mounting aids to the height of the cabinet door. Bottom stop edge of the fitting aid = top edge of the door to be fitted.

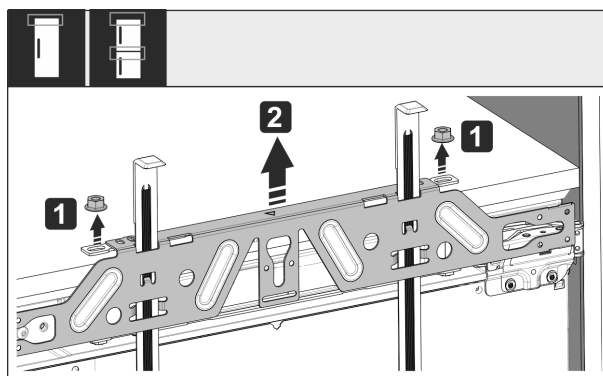


Fig. 54

- ▶ Undo the counter nuts and remove the crosspiece.

Fit the appliance into the recess

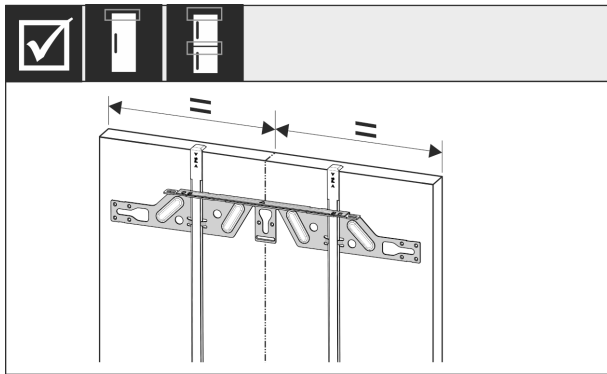


Fig. 55

- ▶ Center-align the crosspiece on the inside of the cabinet door.

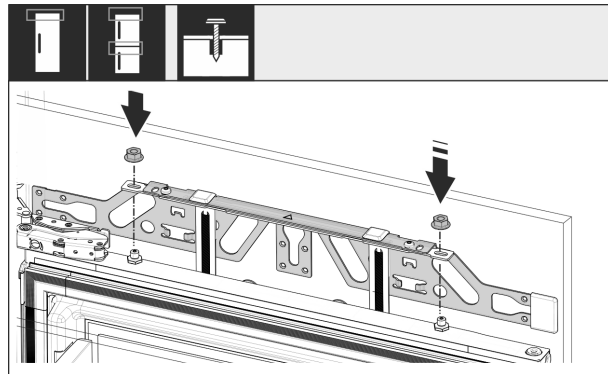


Fig. 59

- ▶ Attach the unit door and loosely screw the lock nuts onto the adjusting bolts.

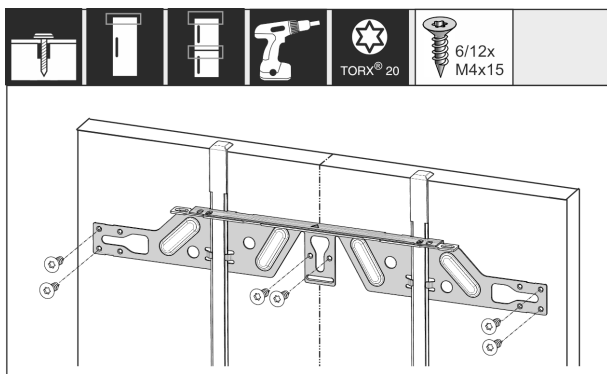


Fig. 56

- ▶ Fix the crosspiece using at least 6 screws for chipboard doors and at least 4 screws for panel doors.

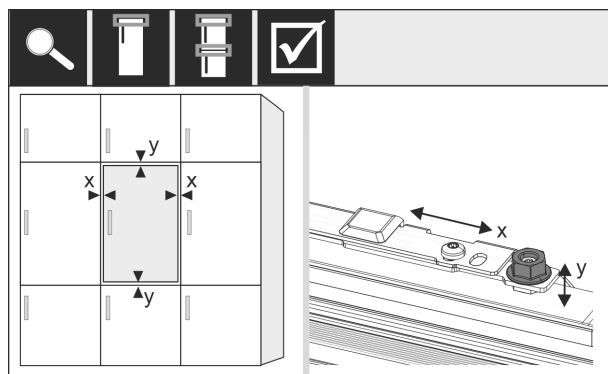


Fig. 60

- ▶ Align the unit door in the X and Y direction using the adjusting bolts.

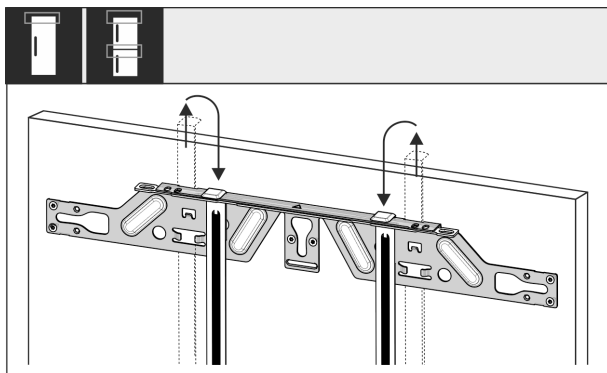


Fig. 57

- ▶ Remove the fitting aids, turn round and insert into the adjacent opening.

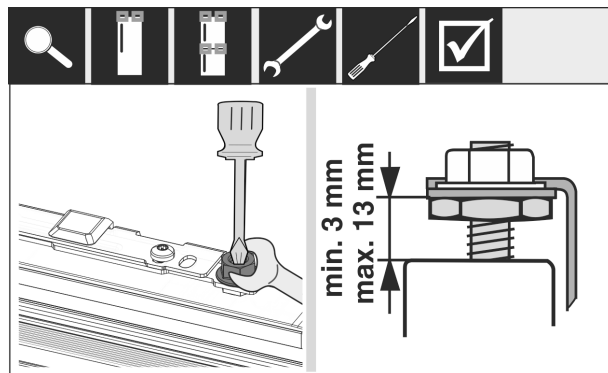


Fig. 61

- ▶ Screw on the lock nuts and check the height.

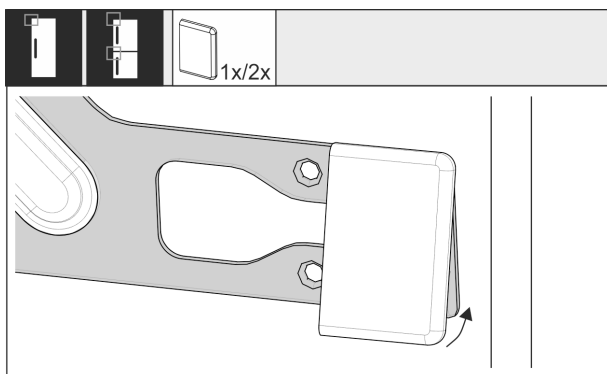


Fig. 58

- ▶ Clip the cover on the crosspiece on the handle side.

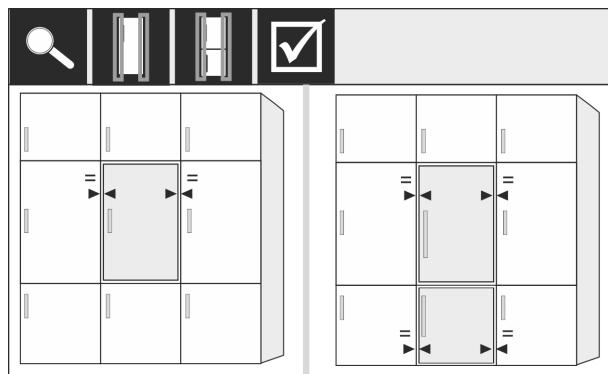


Fig. 62

- ▶ Check the gap between the door and the surrounding custom panels. For unit fronts thicker than 19 mm, take account of the dimensions and advice in the **Unit fronts** chapter.

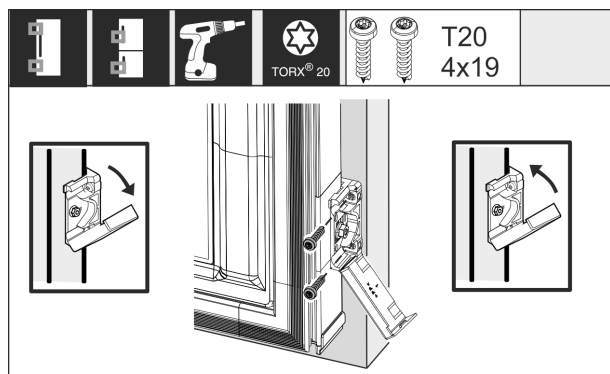


Fig. 63

- ▶ Open the cover to fit the mounting bracket on the custom panel. Align the front edge of the mounting bracket parallel with the custom panel edge and screw the bracket down tightly. Fold up the cover.

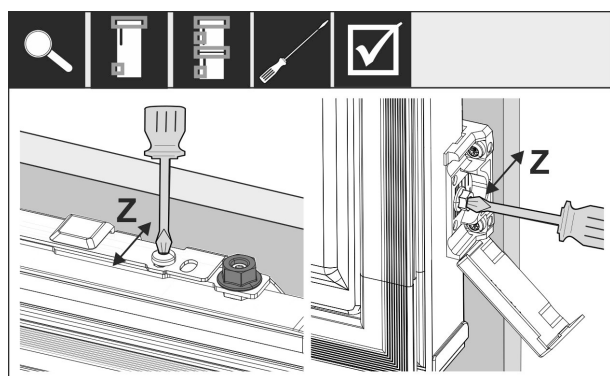


Fig. 64

Align the unit door in the Z direction:

- ▶ Loosen the adjusting screw on the crosspiece and the screw on the mounting bracket.
- ▶ Move the door.

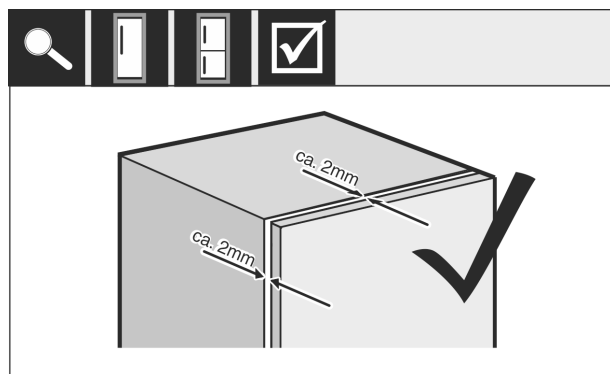


Fig. 65

- ▶ Check the gap between the custom panel and the unit body.
- ▶ Check all screws and retighten them if necessary.

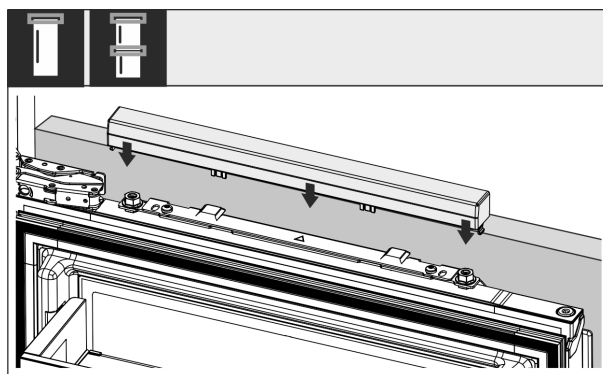


Fig. 66

- ▶ Clip the top cover on.

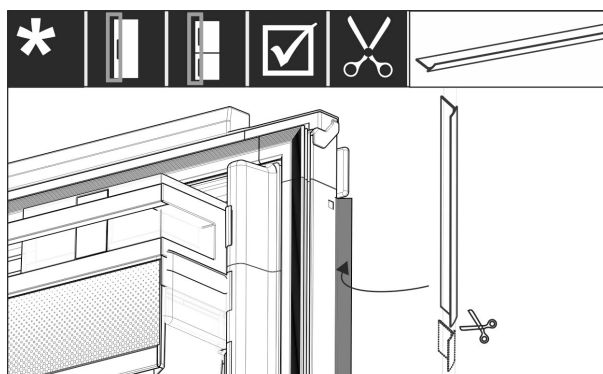


Fig. 67

- ▶ Cut the tread to size and place between the front of the cabinet and the door.

Check the following points to ensure the appliance is correctly installed. Otherwise, ice and condensation may form, and malfunctions may occur:

- ▷ The door must close properly.
- ▷ The unit door must not touch the body of the unit.
- ▷ The seal on the upper corner on the handle side must be fitted securely.

17 Cabinet fronts

17.1 Dimensions

Depending on your model, you will need one or two cabinet doors. The size of the cabinet door(s) depends on the overall recess size and cabinet unit thickness.

Note

Observe the appliance and recess dimensions and follow the installation diagrams (see 3 Appliance dimensions) (see 4 Recess dimensions). See the relevant catalog for the installation diagrams.

General requirements:

- Please refer to our catalogs for appliance-specific recommendations on size and weight for fixed door installations.
- The cabinet unit thickness should be at least 16 mm and no bigger than 19 mm.
- When mounting a 2-door cabinet door, observe the recommended clearance.

Cabinet fronts

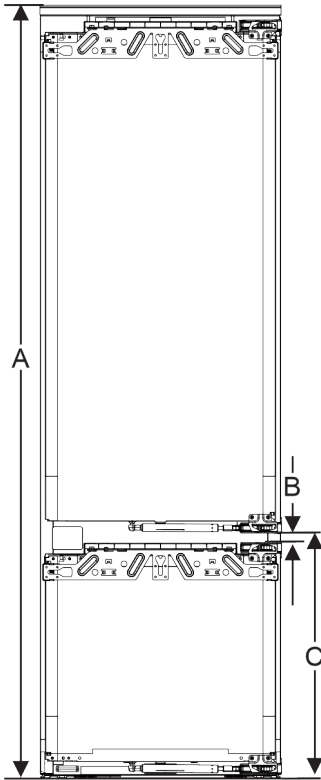


Fig. 68 Clearances for a 2-door cabinet door

Recess height	Appliance height (mm)	Distance (B) (mm)	Clearance (C) fixed door (mm)
178-2 drawers	1770	15	549+15
178-3 drawers	1770	15	695+15

Other cabinet door above, below or next to it:

- Vertical gap between cabinet doors must be 4 mm.
- Horizontal gap between cabinet doors must be 4 mm. Check the collision factors here (see 17.3 Setting the clearance to avoid collision).

Weight and hinges:

- Heavy cabinet fronts increase the stress on the hinge. The hinge may be damaged. As such, refer to the catalog for the maximum weight specification for your appliance.
- If the cabinet front exceeds the maximum permitted weight, an appliance with door-tracking device can help by loading the weight over several concealed hinges on the cabinet.
- If you use long unit fronts that protrude far above the appliances, we recommend an additional door hinge (e.g. Kamat), which must have the same pivot point as the fixed door hinge used with your appliance. By using another hinge (Kamat), the weight is shared over several points. The use of a milled compensating fastening is recommended for high unit fronts to counteract warping (convex/concave).

17.2 Mounting the cabinet front(s)

When installing, note:

- Cabinet front must be installed symmetrically to the refrigerator door.
- Adjoining cabinet front is exactly level.
- Adjoining cabinet front has the same edge radius as the front of the appliance.

- Cabinet front is flat and tension-free.
- Cabinet front is adjusted to a minimum depth of approx. 2 mm to the unit body.
- ▶ Fit the appliance into the recess (see 16 Fit the appliance into the recess).
- ▶ Attach the cabinet front to the appliance door (see 16 Fit the appliance into the recess).
- ▶ Check the cabinet front does not collide with anything (see 17.3 Setting the clearance to avoid collision).

17.3 Setting the clearance to avoid collision

After installing the cabinet front(s), check that the cabinet fronts do not collide.

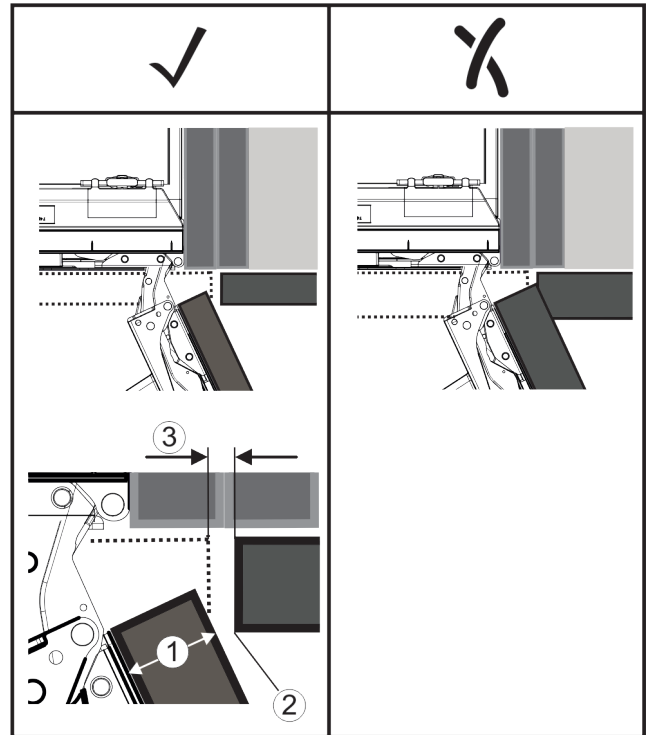


Fig. 69

(1) Front thickness (FD)

(3) Clearance size (S)

(2) Edge radius (R)

FD(1) (mm)	R (2) = 0 mm		R = 1,2 mm		R = 2 mm		R = 3 mm	
	G _{min}	G _{max}	G _{min}	G _{max}	G _{min}	G _{max}	G _{min}	G _{max}
16	0,3	0,9	0,1	0,4	0,1	0,2	0,1	0,2
19	0,7	2,4	0,3	1,9	0,23	3,25	0,1	0,8
20	2	4,3	1,5	3,6	1	3,1	0,6	2,7
22	3,5	6,3	3	5,6	2,6	5,3	2,1	4,6
24	5,5	8,3	5	7,8	4,5	7,4	4	6,9
26	7,6	10,7	7	10,3	6,6	9,9	6,2	9,4

Fig. 70 Table of clearance limits

G_{min} = min. clearance in mm

G_{max} = max. clearance in mm

Note

When making adjustments, always make sure that the cabinet front suits the general appearance.

Check the collision factors and adjust them accordingly:

- ▶ Determine the front thickness and edge radius.
- ▶ Refer to the table for the min./max. clearance dimensions.
- ▶ Check the clearance size against the table.
- ▶ Do one of the following depending on the measured clearance size.

Clearance size	Description
$S > G_{max}$	If the clearance size is greater than the two limits, you do not need to make any adjustments.
$S < G_{min}$	If the clearance size is below the limits, you must increase it. Another option is to increase the edge radius.
$G_{min} \leq S \leq G_{max}$	If the clearance is between the two limits, you have to be careful. This will quickly lead to collisions.

18 Water tank

Depending on your model, the InfinitySpring water tank is behind the lowest drawer in the fridge or BioFresh compartment

18.1 Inserting the water tank

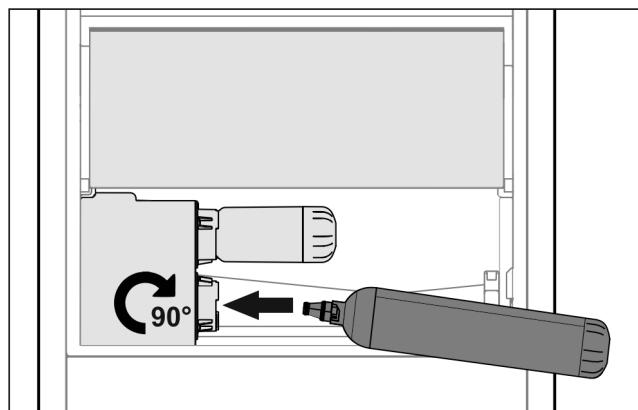


Fig. 71

- ▶ Remove the drawer.
- ▶ Insert the water tank and turn approx. 90° to the right until it engages.
- ▶ Check that the water tank is sealed and no water leaks out.
- ▶ Insert the drawer.
- ▶ Vent the water system (see Installation Instructions, Water Connection)

Instead of the water filter, you can use an additional water tank.

Note

The water tank is available as a spare part.

19 Water filter

Depending on your model, the water filter is behind the lowest drawer in the fridge or BioFresh compartment.

It absorbs deposits in the water and reduces the taste of chlorine.

- ☐ Replace the water filter at least every 6 months under the specified usage conditions or if the flow rate drops significantly.
- ☐ The water filter contains carbon and can be disposed of with the regular household waste.

Note

You can purchase the water filter from the [Liebherr household appliance store](http://home.liebherr.com) (home.liebherr.com).

19.1 Installing the water filter

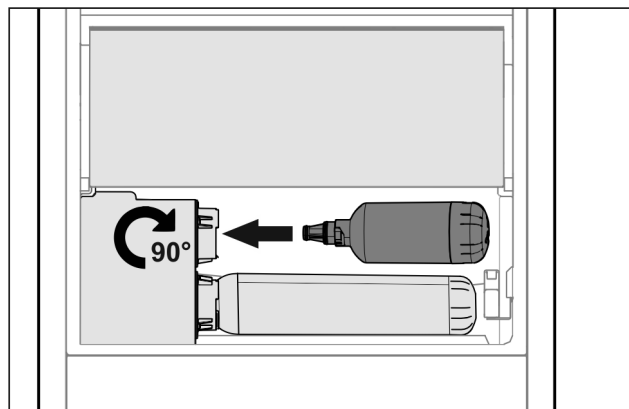


Fig. 72

- ▶ Remove the drawer.
- ▶ Insert the water filter and turn clockwise approx. 90° until it engages.
- ▶ Make sure the filter does not leak and no water is coming out.
- ▶ Insert the drawer.



CAUTION

New water filters may contain particulate matter.

- ▶ Dispense 3 l of water through the InfinitySpring and pour away.

▷ The water filter is now ready for use.

20 Connecting the appliance



WARNING

Incorrect connection!

Risk of fire.

- ▶ Do not use an extension cord.
- ▶ Do not use a multipoint connector strip.

NOTICE

Incorrect connection!

Damage to the electronics.

- ▶ Do not connect the appliance to a stand-alone inverter, e.g. solar power systems and petrol generators.
- ▶ Do not use an energy saving plug.

Note

Only use the mains cable supplied.

- ▶ A longer mains cable can be ordered from Customer Service.

Make sure that the following requirements are fulfilled:

- The type of current and voltage at the installation site complies with the information on the serial tag .
- The socket is grounded and fused in accordance with regulations.
- The tripping current for the fuse is between 10 and 16 A.
- The socket is easily accessible.
- ▶ Check the electrical connection.
- ▶ Connect the mains plug to the power supply.
- ▷ The Liebherr logo appears on the screen.
- ▷ The display switches to the standby symbol.



home.liebherr.com/fridge-manuals

EN Refrigerators and freezers for integrated use, door-on-door

Issue date: 20221026

Part number index: 7088230-00

Liebherr-Hausgeräte Ochsenhausen GmbH
Memminger Straße 77-79
88416 Ochsenhausen
Deutschland