



Installation Guide

Quality, Design and Innovation



home.liebherr.com/fridge-manuals



LIEBHERR

General safety instructions

Contents

1	General safety instructions.....	2
2	Installation dimensions.....	2
3	Transporting the appliance.....	3
4	Disposing of packaging.....	3
5	Side by side assembly.....	3

The manufacturer works constantly on the further development of all the types and models. Therefore please understand that we have to reserve the right to make design, equipment and technical modifications.




To get to know all the benefits of your new appliance, please read the information contained in these instructions carefully.

The instructions apply to several models. Differences may occur. Text relating only to specific appliances is marked with an asterisk (*).

Instructions are marked with a ►, and results are marked with a ▷.

1 General safety instructions

- The socket must be easily accessible so that the appliance can be quickly disconnected from the supply in an emergency. It must be outside the area of the rear of the appliance.

	DANGER	identifies a situation involving direct danger which, if not obviated, may result in death or severe bodily injury.
	WARNING	identifies a dangerous situation which, if not obviated, may result in death or severe bodily injury.
	CAUTION	identifies a dangerous situation which, if not obviated, may result in minor or medium bodily injury.
	NOTICE	identifies a dangerous situation which, if not obviated, may result in damage to property.
	Note	identifies useful information and tips.

2 Installation dimensions

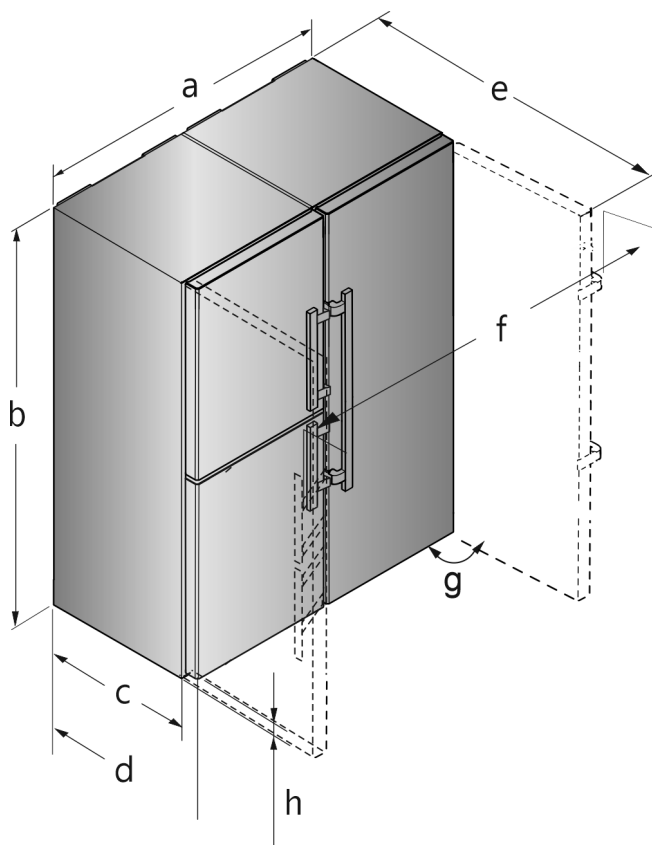


Fig. 1 Example illustration

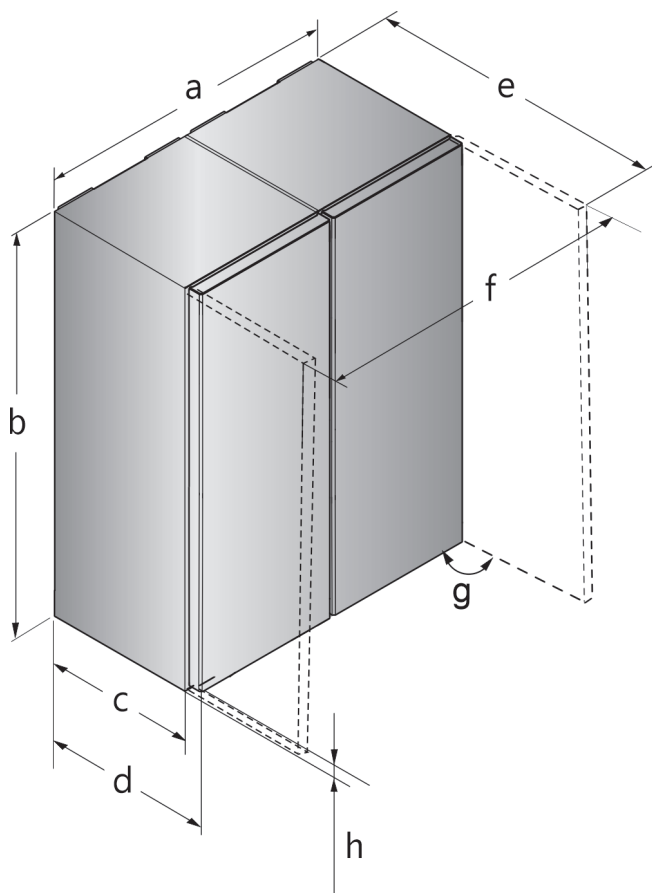


Fig. 2 Example illustration

4 Disposing of packaging



WARNING

Danger of suffocation due to packing material and plastic film!
 ► Do not allow children to play with packing material.

The packaging is made of recyclable materials:

- corrugated board/cardboard
- expanded polystyrene parts
- polythene bags and sheets
- polypropylene straps
- nailed wooden frame with polyethylene panel*



► Take the packaging material to an official collecting point.

5 Side by side assembly

Set up the freezer or the appliance with the freezer compartment from the left when viewed from the front. These appliances are equipped with a side-wall heater on the right hand side to prevent condensation forming.

All the assembly components are supplied with the appliance.

Assembly parts in the accessory kit

For appliances with lever handle

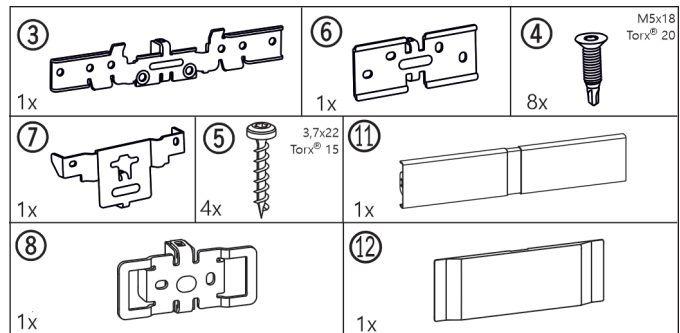


Fig. 4

For appliances with recessed grip

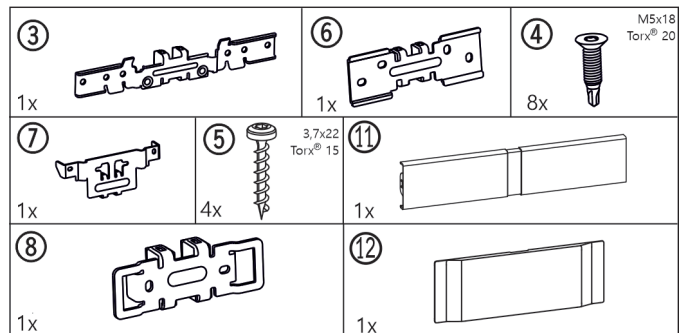


Fig. 5

For all appliances

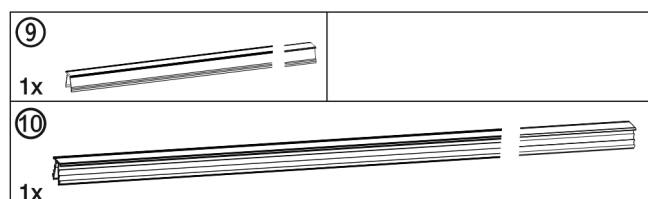


Fig. 6

Decorative base trim

For appliances with bottom soft stop mechanism

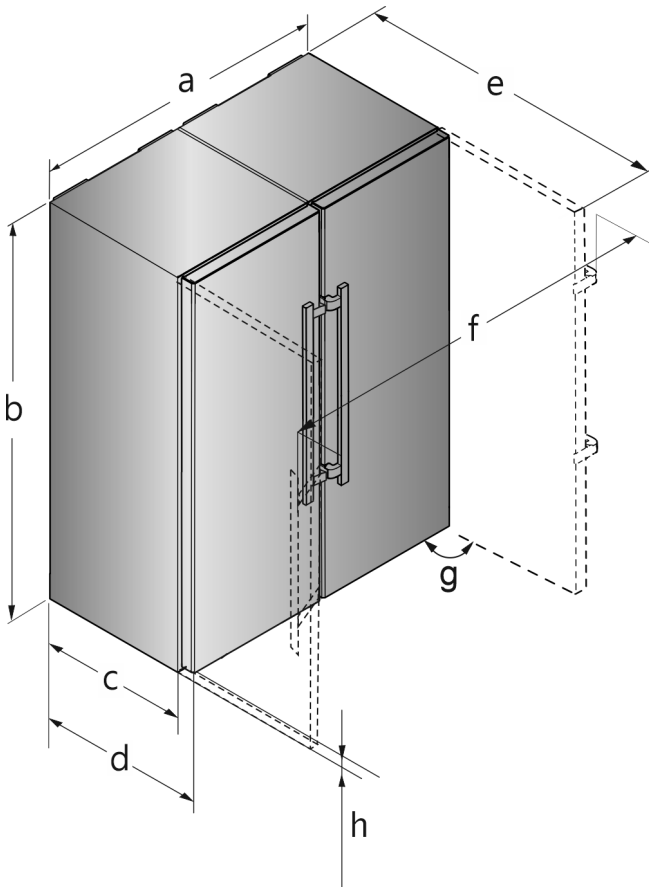


Fig. 3 Example illustration

For appliances with a lever handle

Model	a [mm]	b [mm]	c [mm]	d [mm]	e [mm]	f [mm]	g [°]	h [mm]
S(BN) (CN) (FN)(sd) (st)(bd) (bs)(d) (h) 52..(i)	1204	1855	611 ×	675 ×	1222 ×	1318	90	35

* The use of wall spacers increases the dimensions by 15 mm .
 With the door open the dimensions apply to an opening angle of 90 °. Clearances vary depending on the opening angle.

For appliances with recessed grip

Model	a [mm]	b [mm]	c [mm]	d [mm]	e [mm]	f [mm]	g [°]	h [mm]
SFN(sd) (sf)(bd) (e) 52...	1226	1855	611 ×	675 ×	1217 ×	1252	90	35

* The use of wall spacers increases the dimensions by 15 mm .
 With the door open, the dimensions apply to an opening angle of 90 °. Clearances vary depending on the opening angle.

3 Transporting the appliance

- Transport the appliance only in suitable packaging.
- Transport the appliance upright.
- Do not transport the appliance on your own.

Side by side assembly

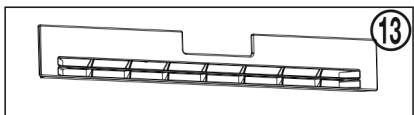


Fig. 7

For appliances without bottom soft stop mechanism

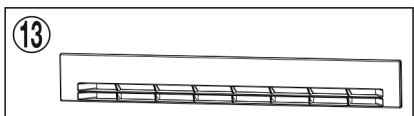


Fig. 8

Tool for assembly

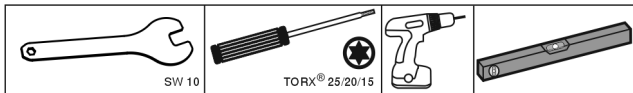


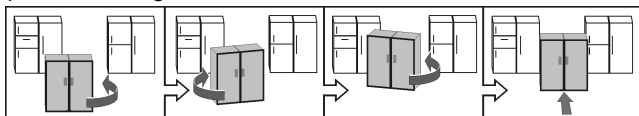
Fig. 9

Ensure that the following tools are to hand:

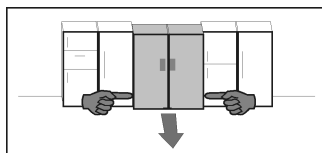
- Size 10 open-ended spanner (supplied)
- Torx® 25/20/15 screwdriver
- Cordless screwdriver
- Spirit level

Information on moving the combination:

- Set up the appliances as close to the final position as possible before assembly. However, the appliances must be accessible on all sides for correct assembly.
- When moving the appliances after assembly, always take hold from the front outer corners. Never press your knee against the side walls or door.
- The combination can be moved most easily when moved diagonally, that is by alternately pushing from the left and right corners. If the combination is standing directly in front of the recess, push it in straight.



- If the combination has to be pulled out of the recess again, take hold of the bottom third of the combination and pull forward straight.



NOTICE

Risk of damage when moving the combined SBS appliance! The combined SBS appliance is heavy once assembled. The appliance may be dented by improper movement.

- ▶ Observe the information given on moving the appliance (see above).

- ▶ Take off all protective film from the exterior of the appliance.

Bottom front of the appliance:

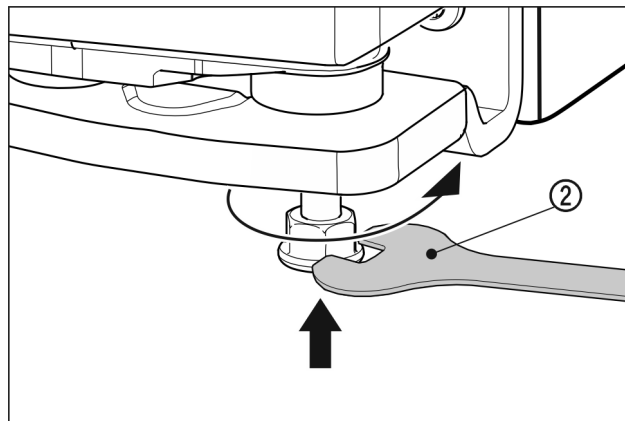


Fig. 10

- ▶ Tighten the outer adjusting feet. The appliances can be moved easier.
- ▶ Push both appliances to approx. 10 mm of each other so that they are positioned flush facing forwards.
- ▶ Straighten the appliances up using a spirit level on the top of the appliance.

Top front of the appliance:

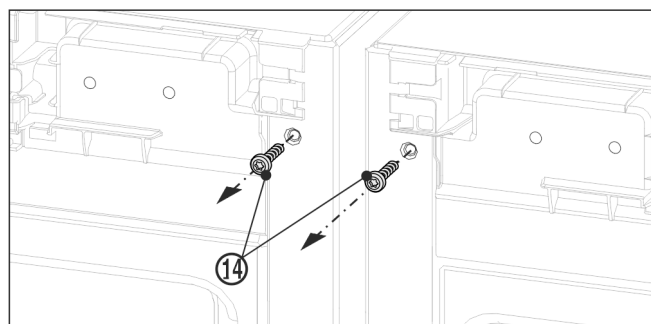


Fig. 11

- ▶ Remove the existing covers.
- ▶ Before fitting the top bracket remove both earthing screws Fig. 11 (14).
- ▶ Store the earthing screws safely. The screws will be necessary for fitting the bracket as shown below.

For appliances with lever handle

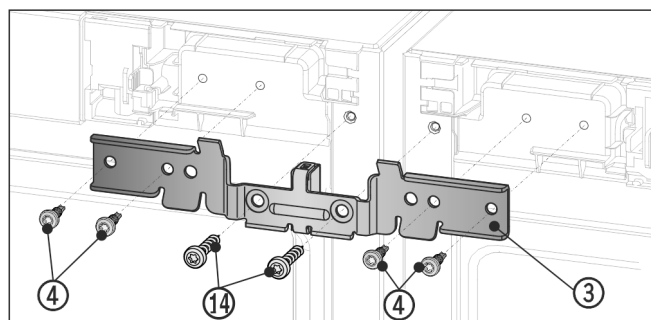


Fig. 12

- ▶ Slide the bracket Fig. 12 (3) onto the pins with the spacer between the appliances. Loosely screw in the brackets alternately right and left with four screws Fig. 12 (4) and the previously removed earthing screws Fig. 12 (14).

For appliances with recessed grip

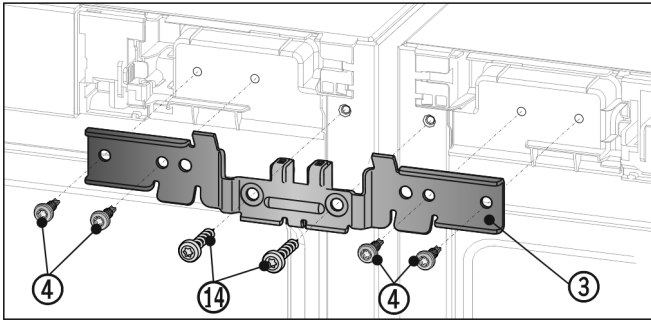


Fig. 13

- ▶ Slide the bracket Fig. 13 (3) onto the pins with the spacer between the appliances. Loosely screw in the brackets alternately right and left with four screws Fig. 13 (4) and the previously removed earthing screws Fig. 13 (14).
- ▶ If necessary, check the appliance is stood straight by laying a spirit level on the top of the appliance.

Bottom front of the appliance:

For appliances with lever handle

- ▶ Remove the existing covers.

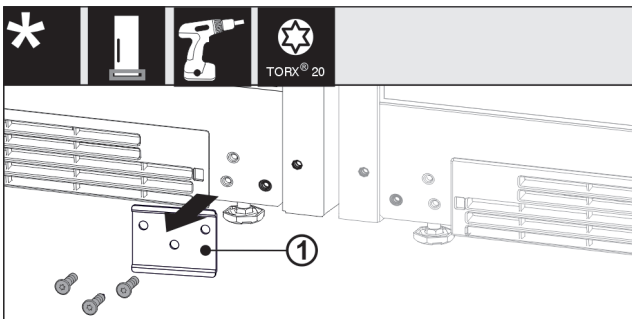


Fig. 14

- ▶ If installed, unscrew metal plate Fig. 14 (1).

Note

If you want to transport the appliance or set it up as an individual appliance, you must re-attach the metal plate.

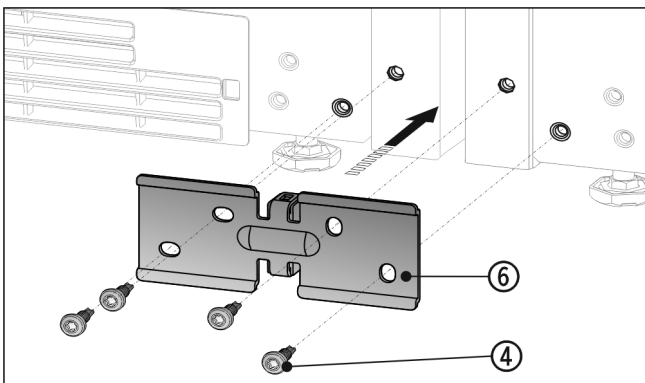


Fig. 15

- ▶ Slide the bracket Fig. 15 (6) on with the spacer between the appliances and screw in loosely with the 4 screws Fig. 15 (4).

For appliances with recessed grip

- ▶ Remove the existing covers.

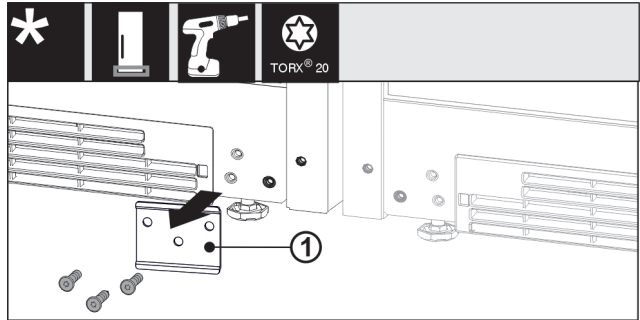


Fig. 16

- ▶ If installed, unscrew metal plate Fig. 16 (1).

Note

If you want to transport the appliance or set it up as an individual appliance, you must re-attach the metal plate.

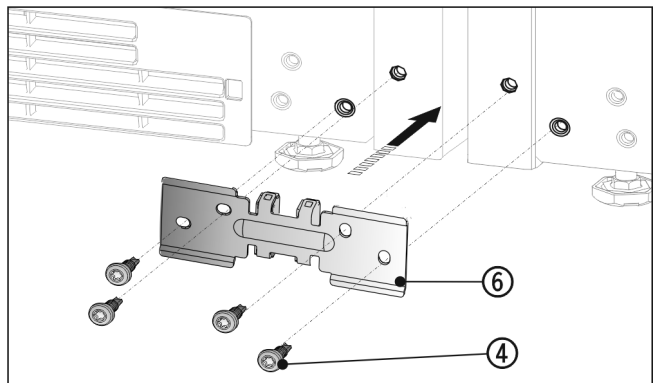


Fig. 17

- ▶ Slide the bracket Fig. 17 (6) on with the spacer between the appliances and screw in loosely with the 4 screws Fig. 17 (4).
- ▶ If necessary, straighten the appliances up again.
- ▶ Now tighten the screws firmly at the top and bottom.

Top rear of the appliance:

For appliances with lever handle

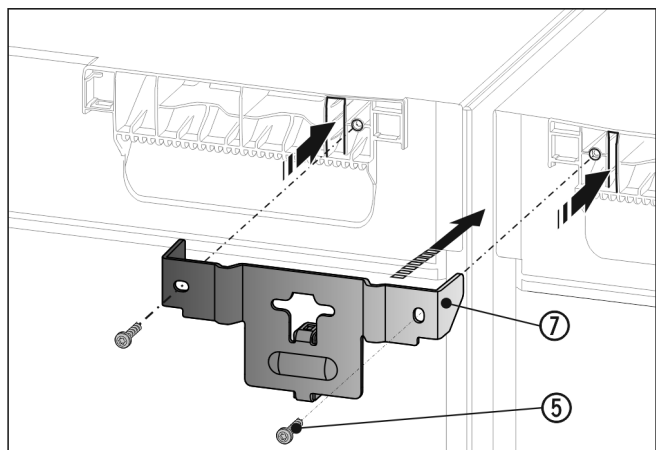


Fig. 18

- ▶ Slide the bracket Fig. 18 (7) onto the appliance ceiling with the lugs and with the spacer between the appliances. Screw in firmly with 2 screws Fig. 18 (5).

For appliances with recessed grip

Side by side assembly

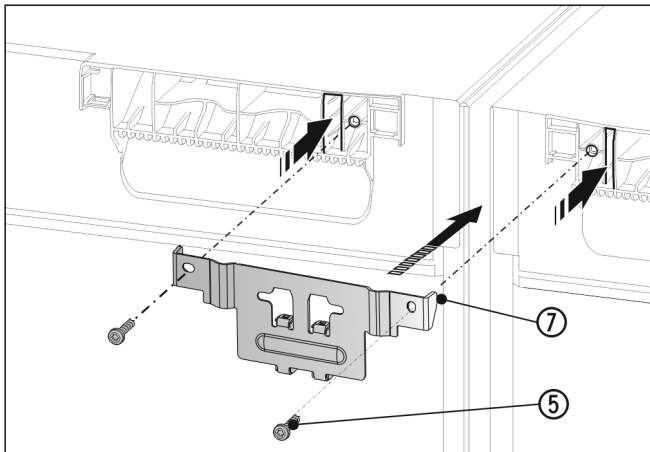


Fig. 19

- ▶ Slide the bracket Fig. 19 (7) onto the appliance ceiling with the lugs and with the spacer between the appliances. Screw in firmly with 2 screws Fig. 19 (5).

Bottom rear of the appliance:

For appliances with lever handle

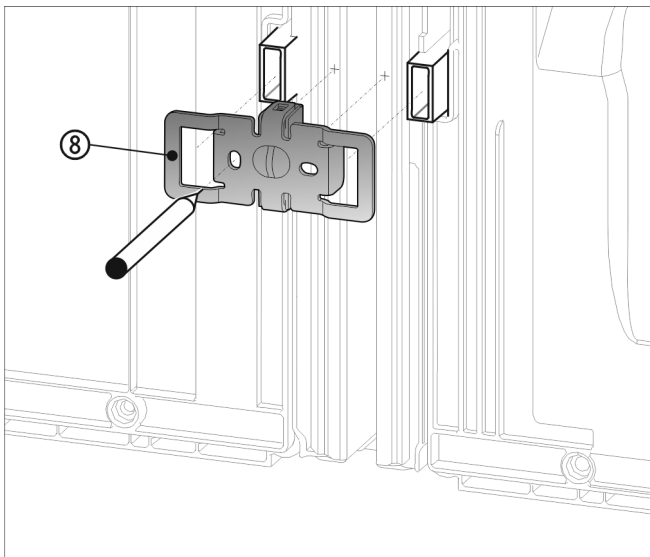


Fig. 20

- ▶ Slide the bracket Fig. 20 (8) on with the slots over the retainer for the wall spacers.

For appliances with recessed grip

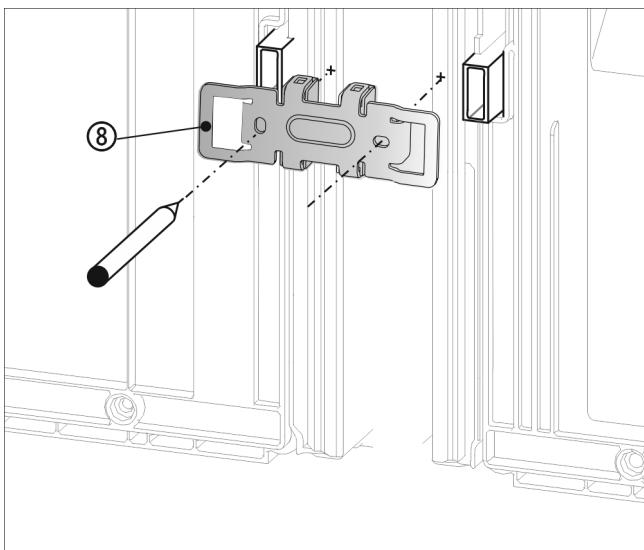


Fig. 21

- ▶ Slide the bracket Fig. 21 (8) on with the slots over the retainer for the wall spacers.

Note

Holes for the screws must be pre-drilled.

- ▶ Mark the position of the holes to be drilled with a pencil.
- ▶ Remove the bracket again.

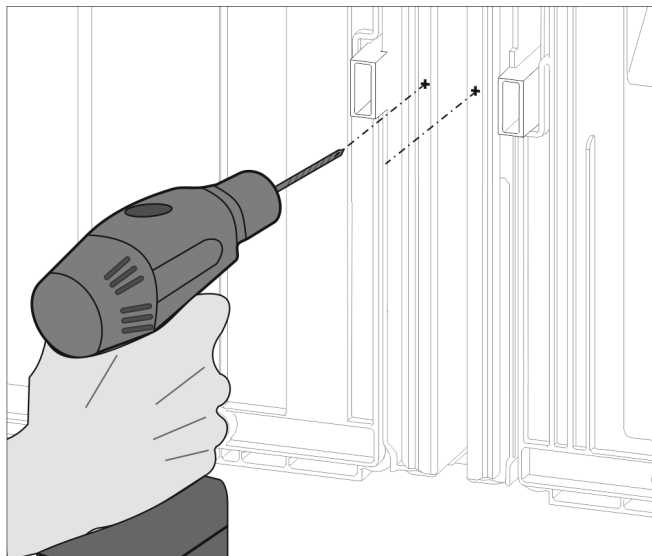


Fig. 22

Note

Only drill through the metal plate. Drilling depth approx. 1 mm.

- ▶ Pre-drill the screw holes with a 3 mm drill and deburr.

For appliances with lever handle

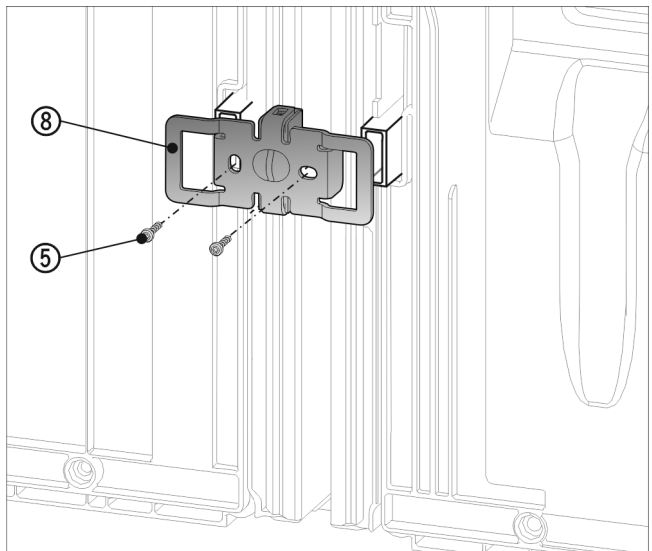


Fig. 23

- ▶ Slide the bracket Fig. 23 (8) on once more with the slots over the retainer for the wall spacers.
- ▶ Screw in tightly with the 2 screws Fig. 23 (5).

For appliances with recessed grip

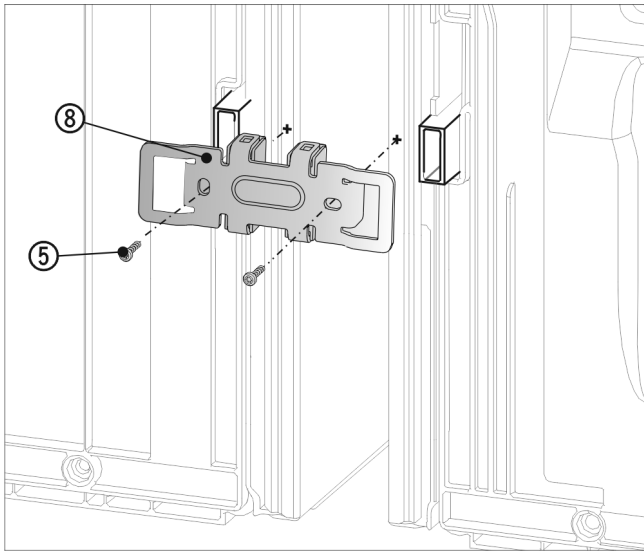


Fig. 24

- ▶ Slide the bracket Fig. 24 (8) on once more with the slots over the retainer for the wall spacers.
- ▶ Screw in tightly with the 2 screws Fig. 24 (5).

Before fitting the top and front cover strips, push the two bars together over the whole length. The strips can be inserted more easily into the gap. Use a soft cloth to push the strips in to avoid dents in the surface of the cover strips. Press the strips into the gap carefully and evenly in order to achieve an optimum bond.

For appliances with lever handle

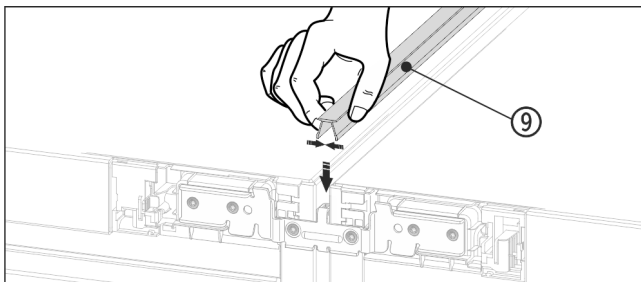


Fig. 25

- ▶ On the top press the short cover strip Fig. 25 (9) into the horizontal gap.

For appliances with recessed grip

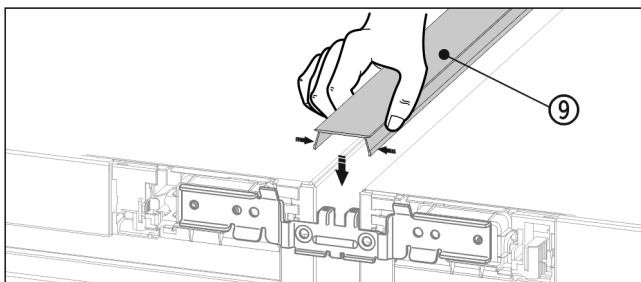


Fig. 26

- ▶ On the top press the short cover strip Fig. 26 (9) into the horizontal gap.

For appliances with lever handle

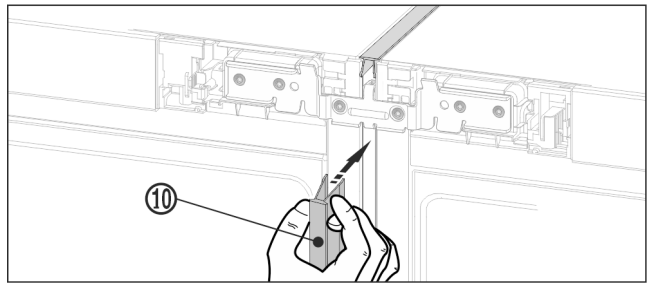


Fig. 27

- ▶ On the front, press the long cover strip Fig. 27 (10) into the vertical gap. Ensure that the strip rests on the connecting plate.

For appliances with recessed grip

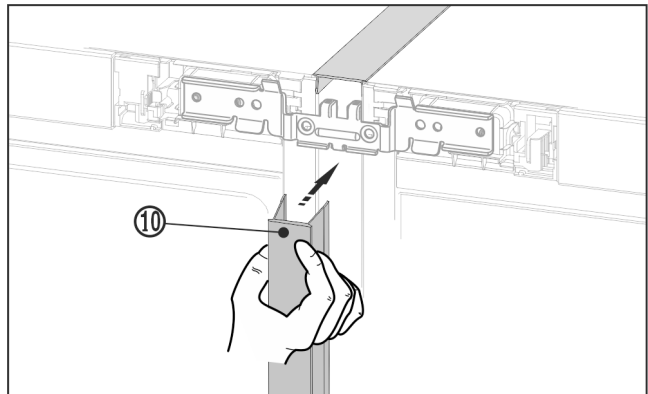


Fig. 28

- ▶ On the front, press the long cover strip Fig. 28 (10) into the vertical gap. Ensure that the strip rests on the connecting plate.

- ▶ Take off the protective film from the cover strip.*

Top front of the appliance:

For appliances with lever handle

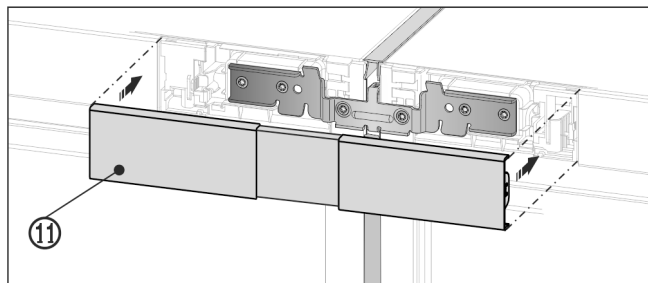


Fig. 29

- ▶ Snap the top cover Fig. 29 (11) onto the still open gap between the two control panel trims. Make sure that the outer sides of the cover form a flush finish with the control panel trims.

For appliances with recessed grip

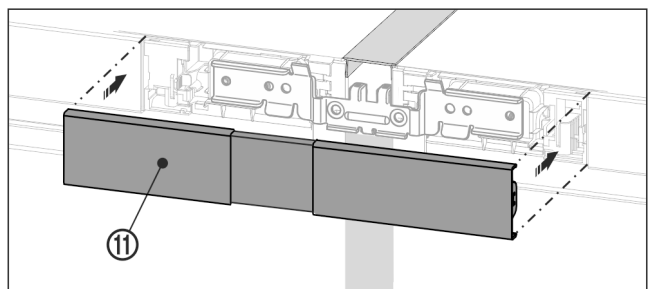


Fig. 30

Side by side assembly

- ▶ Snap the top cover *Fig. 30 (11)* onto the still open gap between the two control panel trims. Make sure that the outer sides of the cover form a flush finish with the control panel trims.

Bottom front of the appliance

For appliances with lever handle

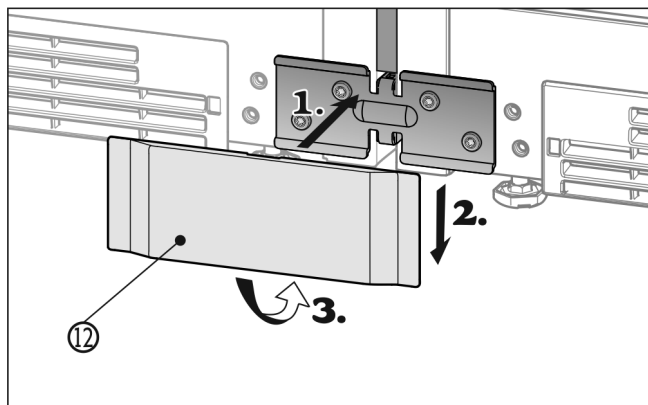


Fig. 31

- ▶ Place the bottom cover *Fig. 31 (12)* onto the bracket from the front *Fig. 31 (1)*, slide it down *Fig. 31 (2)* and snap it in at the bottom *Fig. 31 (3)*.

For appliances with recessed grip

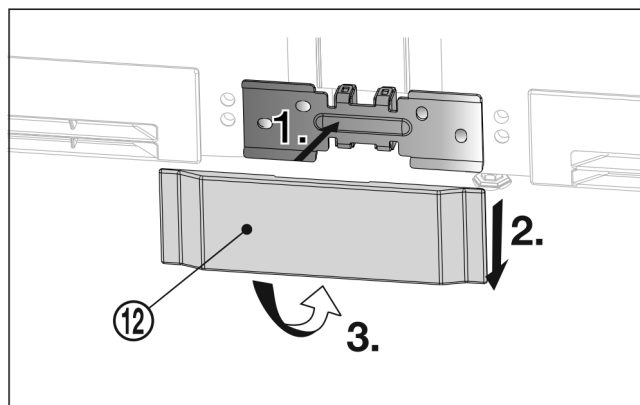


Fig. 32

- ▶ Place the bottom cover *Fig. 32 (12)* onto the bracket from the front *Fig. 32 (1)*, slide it down *Fig. 32 (2)* and snap it in at the bottom *Fig. 32 (3)*.
- ▶ To disassemble the cover, insert a screwdriver at the bottom on the side below the cover and release both lower hooks. The cover can swing out upwards.
- ▶ Connect the combination electrically according to the appropriate operating instructions.
Appliances with IceMaker:
- ▶ Connect the appliance to the fixed water connection according to the appropriate operating instructions.

NOTICE

Risk of damage when moving the combined SBS appliance! The combined SBS appliance is heavy once assembled. The appliance may be dented by improper movement.

- ▶ Observe the information given on moving the appliance (see above).

- ▶ Carefully push the combination into the specified position.
- ▶ If necessary, straighten the combination again using the adjusting feet.
- ▶ Then prop up the door: Lower outer adjusting feet on the bearing bracket until they are resting on the floor.

The doors can be straightened at height on the outer lower bearing brackets:

- ▶ Open door to 90 °.

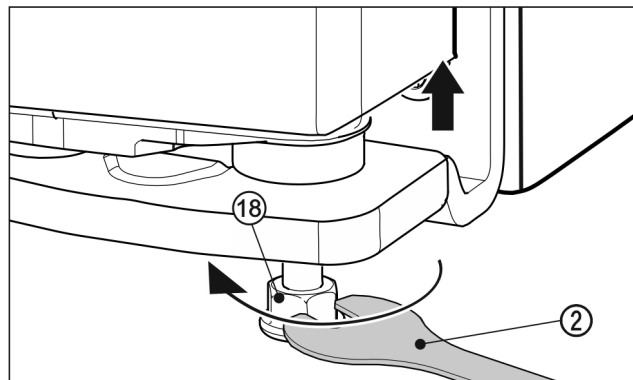


Fig. 33

- ▶ To lift the door, unscrew the adjusting foot *Fig. 33 (18)* clockwise with the supplied open-ended spanner *Fig. 33 (2)*. When delivered, the bearing pin is completely screwed in.

Fit decorative base trim.

After you have assembled and straightened out the appliances, the base trims can be fitted at the bottom of the appliances. The base trims are decorative and will not affect the functionality of the appliances.

For appliances with bottom soft stop mechanism

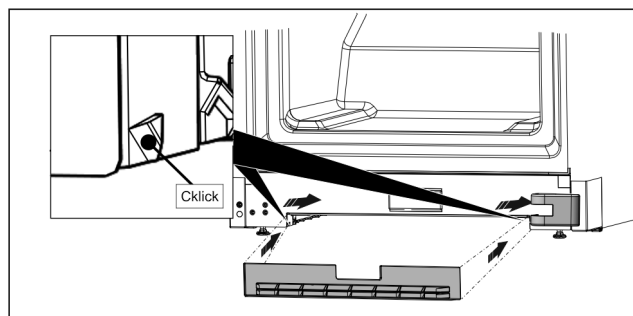


Fig. 34

- ▶ Secure the base trim recess at the bottom of the appliance, as shown in the figure.

Note

The trim must be pushed to a little behind the bearing bracket cover.

For appliances without bottom soft stop mechanism

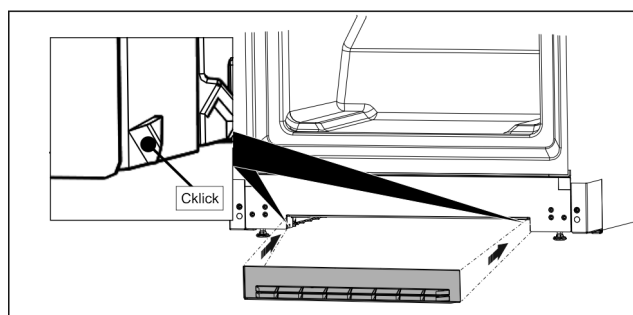


Fig. 35

- ▶ Secure the base trim recess at the bottom of the appliance, as shown in the figure.



home.liebherr.com/fridge-manuals

EN Side-by-Side combinations

Issue date: 20220302

Part number index: 7086157-00

Liebherr-Hausgeräte Ochsenhausen GmbH
Memminger Straße 77-79
88416 Ochsenhausen
Deutschland