

The Spacious Freshness Centre

Quality, Design and Innovation



ECBN 6156



LIEBHERR



Door-on-door technology: Allows custom panels to be affixed directly onto the appliance door so that the hinges are concealed, plus the cabinet and the fridge open as one, ensuring a wide range of design options and easy installation.



IceMaker: Liebherr's automatic IceMaker produces flawless crescent ice and keeps constant supply on hand for every occasion. An activated charcoal filter ensures pure water for production of clear ice crescents.



BioFresh: BioFresh guarantees the perfect temperature and ideal humidity for much longer freshness. While the DrySafe is perfect for meat, fish, and dairy products, the high humidity in the Fruit & Vegetable-Safe can prevent fruit and vegetables from drying out and helps preserve stored goods for an even longer period.

The 91-cm-wide, built-in fridge-freezer **ECBN 6156** is a real eyecatcher! Available with door-on-door installation that gives customised integration into existing kitchen units, and two freezer drawers that easily extend on premium-quality telescopic rails, this built-in masterpiece is a design highlight for any kitchen. Opt for our stainless steel panels and handles and other accessories¹ for that extra touch of elegance.

ECBN 6156

PremiumPlus

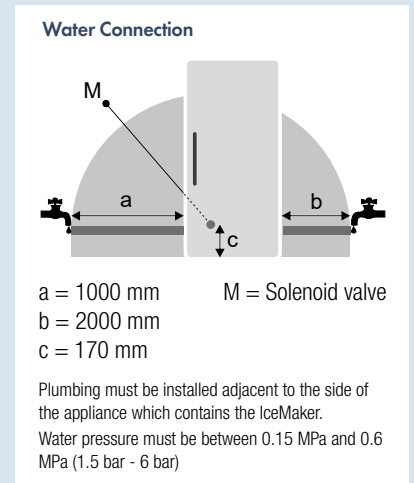
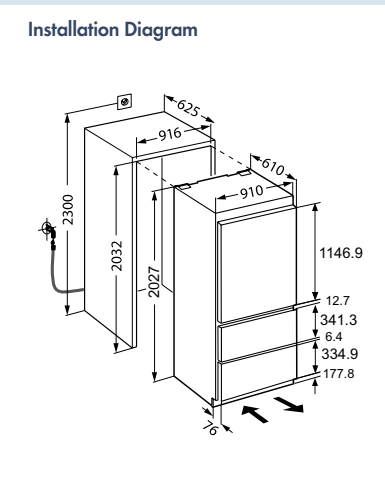
Bio Fresh

No Frost

Duo Cooling

Ice Maker

Sound rating dB(A) *	42
Refrigerator capacity litre	364
BioFresh comp. litre	69
Freezer capacity litre	116
Number of shelves	4
Number of door racks	6
Number of freezer drawers	2
Number of BioFresh drawers	2
Electronic control	LCD display, touch electronic
Door / side walls	Steel
Refrigerator temperature range °C	+3°C to +9°C
Freezer temperature range °C	-14°C to -28°C
Temperature alarm	Visual and audible
Defrost type	Automatic
Interior light	LED
Door alarm	Audible
IceMaker	Fixed water connection 20mm (3/4")
Ice cube output kg/24h	1.3
SoftSystem	No
Door hinges	Right, reversible **
Product dimensions (H/W/D) cm	202.7 / 91 / 61
Cut out dimensions (H/W/D) cm	203.2 - 207.2 / 91.5 / min. 62.5
Gross / Net weight kg	176 / 164
Voltage V/Hz	220-240 / 50



* Noise output - according to EN 60704-3
 ** Please contact your Liebherr Authorised Dealer for door reversal.
¹ Available accessories: Stainless Steel Panel 80" Large Door (Part no. 990033300), Stainless Steel Panel 84" Large Door (Part no. 990033100), Stainless Steel Panel Freezer Panels (Part no. 990032300), Stainless Steel Handles 3/4" (Part no. 990032700), Oval Aluminium Handles (Part no. 990032900), SBS Kit (Part no. 990015500), Door Reversal Kit (Part no. 990016500), Water Filter (Part no. 988122700)

Note: Whilst every effort is made to ensure all specifications and information in this flyer are accurate, Liebherr reserves the right to make changes without notification. Where actual appliance measurements, specifications, and ratings are crucial, we recommend that the actual appliance installation instructions that accompany each appliance be checked. Liebherr will not be liable for any loss.