

# EFI 3553

---



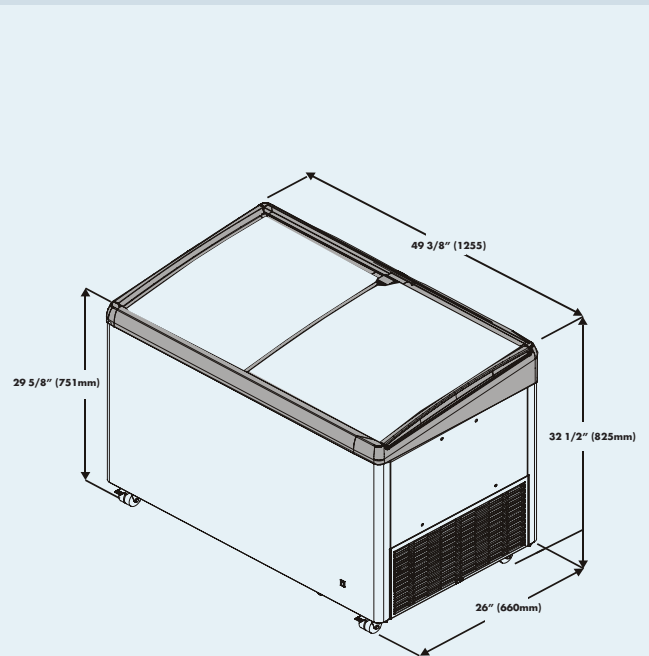
# LIEBHERR

# Impulse Sales Chest Freezer



Chest Freezer with Sliding Angle Top	EFI 3553	LED
Total gross/net capacity cu.ft. (l)	12.3 / 8.8 (347 / 250)	
Exterior dimensions in inches (w/d/h) in mm (w/d/h)	49 3/8   26   32 1/2 1255 / 660 / 825	
Interior dimensions in inches (w/d/h) in mm (w/d/h)	44 1/2   21 1/8   25 7/8 1130 / 535 / 656	
Energy consumption in 24 hours	1.829 kWh	
Ambient temperature in °F (°C)	+50°F to +86°F (+10°C to 30°C)	
Refrigerant	R 290	
Sound rating *	52 dB	
Connection rating	2.5 A	
Frequency/voltage	60Hz / 115 V ~	
Cooling system	Static	
Defrost	Manual	
Temperature range in °F (°C)	+14°F to -11°F (-10°C to -24°C)	
External cabinet finish	Steel / White	
Door/lid material	Curved glass slide-lid	
Internal liner material	Steel	
Type of control	Analogue control	
Temperature display	Internal analogue	
Interior light	LED	
Number of baskets, max	5	
Castors	Swivel castors	
Lock	Upgradable	
Insulation in inches (mm)	2 3/8 (60)	
Gross/net weight in lbs (kg)	151.2 / 133.1 (68.6 / 60.4)	
<b>Accessories</b>		
Basket 10 5/8 in (270 mm)	7111009	
Basket 8 1/4 in (210 mm)	7111039	
Partition grid 10 5/8 in (270 mm) / High grid	7111031	
Partition grid 10 5/8 in (270 mm) / Low grid	7111033	
Partition grid 8 1/4 in (210 mm)	7111787	
Rubber bumpers, gray	7266707	
Cylinder lock for glass sliding lid	7043359	
Glass canopy	9809160	

## Unit Dimensions



\* Noise level – sound power re 1pW – according to IEC 60704-2-14.

Subject to modification. For up-to-date information, visit [home.liebherr.com](http://home.liebherr.com).