

SIKB 3550

Integrated refrigerator with BioFresh
Premium



Made
in Germany

LIEBHERR

Fully Integrated

SIKB 3550

Integrated refrigerator with BioFresh Premium

LIEBHERR

G Made
in Germany



↑
178
↓



Type	Fixed door / Built-in appliance for integrated use
Energy consump. in 365 days/24 h	134 kWh
Total net	Fridge: 308 l including BioFresh compartment: 92 l
Frequency / voltage	60 Hz / 220 V~
Connection Rating	1.2 A
Aperture dimensions in cm (h / w / d)	177.2-178.8 / 56-57 / min. 55
Controls	
Type of Control	MagicEye, touch electronic Digital temperature display for fridge compartment
Door alarm	akustisch
Fridge compartment	
Forced air system	PowerCooling
Door interior	Premium GlassLine storage shelf with bottle holder, Removable VarioBoxes, adjustable egg tray, butter dish
VarioSafe	yes
Bottle shelf	Variable bottle shelf
Interior light	LED light column on both sides LED BioFresh lighting
BioFresh-Safes	3 BioFresh-Safes with SoftTelescopic, of which 2 Hydro- and 1 DrySafe, 1 FlexSystem
Features	
Side-by-Side concept	Side-panel heating on both sides, suitable for combination with other fridges, freezers and/or wine appliances
Door hinges	Reversible door hinging
EAN-Nr.	-

Features



BioFresh

Fruit and vegetables, meat, fish and milk products retain their healthy vitamins, the delicate aroma and appetising appearance considerably longer at a temperature of slightly above 0 °C than in a conventional refrigeration compartment.



Drawers mounted on telescopic rails

The drawers extend on smooth-running telescopic rails and can be conveniently removed at a door opening angle of 90°.



GlassLine door interior with VarioBoxes

The GlassLine door shelves feature a satin-finished safety glass base, elegantly shaped plastic edging, stainless steel trims, as well as bottle and jar storage with adjustable holders for extra safety. The two removable VarioBoxes are perfect for sorting and storing smaller items in a clearly visible manner. A drawer stop ensures that the VarioBoxes are secure and that they are not dislodged when items are accessed.



SoftSystem closing mechanism

The SoftSystem closing damping is comfortable and highly practical in everyday use. When the door is closed, the SoftSystem integrated in the door damps the movement and ensures particularly soft closing even when the door interior is fully loaded. On built-in devices the door closes automatically from an opening angle of around 30°.



SoftTelescopic

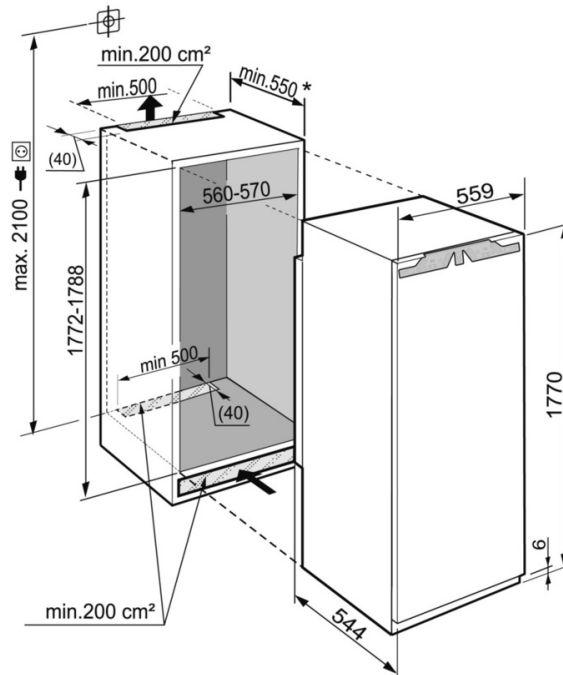
All BioFresh safes and pull-out compartments fitted with SoftTelescopic feature a convenient self-retracting system with gentle SoftSystem, making everyday use practical and safe. They can be completely pulled out and removed even at a door opening angle of 90°.



VarioSafe

The VarioSafe helps you to be organised and offers a clear view of the items stored inside. It is the perfect place to keep smaller items, e.g. packets, tubes and jars. This drawer can be positioned at various levels on the light columns.

Technical drawing



Maximum weight of furniture door:
Fridge compartment: 26 kg

Products and their details are staged for advertising purposes. Whilst every effort is made to ensure all specifications and information in this flyer are accurate, Liebherr reserves the right to make changes without notification. Where actual appliance measurements, specifications, and ratings are crucial, we recommend that the actual appliance installation instructions that accompany each appliance be checked. Liebherr will not be liable for any damage. (01.03.2023)

