

EFI 5653



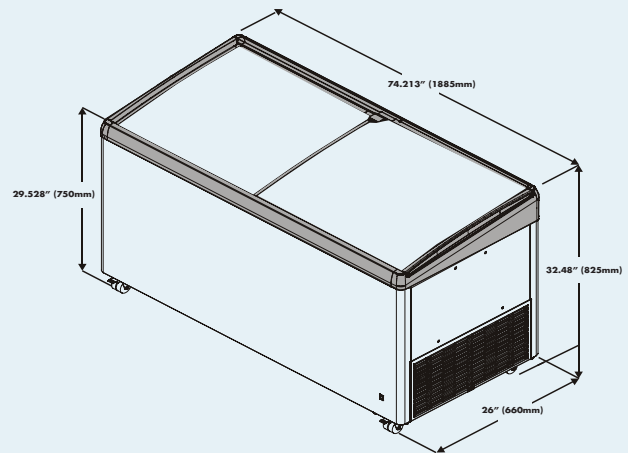
LIEBHERR

Impulse Sales Chest Freezer



Impulse Sales Chest Freezer	EFI 5653	LED
Total gross/net capacity cu.ft. (l)	20.2 / 14.4 (571 / 408)	
Exterior dimensions in inches (w/d/h) in mm (w/d/h)	74 1/4" / 26 13/16" / 32 1/2" 1885 / 680 / 825	
Interior dimensions in inches (w/d/h) in mm (w/d/h)	69 5/16" / 21 1/8" / 19 5/16" 1760 / 535 / 490	
Total display area in m² (TDA) / ft²	1.03 / 11.09	
Energy consumption in 365 days *	1209 kWh	
Ambient temperature in °F (°C)	50°F to 95°F (10°C to 35°C)	
Refrigerant	R290	
Sound rating **	52 dB(A)	
Connection rating	5.5A/320W	
Frequency / Voltage	60 Hz/115-127V~	
Cooling system/Defrost	static/manual	
Temperature range °F (°C)	14°F to -11°F (-10°C to -24°C)	
Lid material	sliding glass lid	
External cabinet finish	steel/white	
Internal liner material	steel	
Frame color	grey	
Type of control/Temperature display	analog control/internal analogue	
Interior light	LED	
Number of baskets	8	
Number of baskets, max (see picture)	8	
Castors/Lock	swivel casters/recessed	
Insulation in inches (mm)	2 3/8" (60)	
Water drain	yes	
Gross / net weight in lbs (kg)	200.4 / 177.9 (90.9 / 80.7)	
Accessories		
Basket 270 mm	7111091	
Basket 210 mm	7111093	
Partition grid 270 mm / High grid	7111031	
Partition grid 210 mm / High grid	7111784	
Partition grid 270 mm / Low grid	7111033	
Partition grid 210 mm / Low grid	7111787	
Rubber bumpers, gray	7266707	
Cylinder lock for glass sliding lid	7043660	
Glass canopy		
Scoop ice cream containers	on request	
Baskets for scoop ice cream containers	on request	
External thermostat dial	on request	

Unit Dimensions



* Noise level – sound power re 1pW – according to IEC 60704-2-14.

Subject to modification. For up-to-date information, visit home.liebherr.com.