

Fresh On The Inside,
Sleek On The Outside

Quality, Design and Innovation

SIGN 3576



LIEBHERR



SoftSystem: In built-in appliances, SoftSystem technology allows doors to close automatically and gently from 30° to eliminate slamming even when fully loaded.



IceMaker: Liebherr's automatic IceMaker produces flawless crescent ice and keeps constant supply on hand for every occasion. An activated charcoal filter ensures pure water for production of clear ice crescents.



MagicEye control system: Our LCD control panel ensures all functions are easy and convenient to use as well as guaranteeing that the settings selected remain accurate and constant.

The **SIGN 3576** freezer includes transparent, extra-deep, and fully removable FrostSafe drawers on telescopic rails to allow you to efficiently organise frozen food. This unit also comes with SoftSystem. Our automatic IceMaker with fixed water connection produces crystal clear ice cubes, keeping a constant supply on hand for every occasion.

SIGN 3576

Premium

No Frost

LED

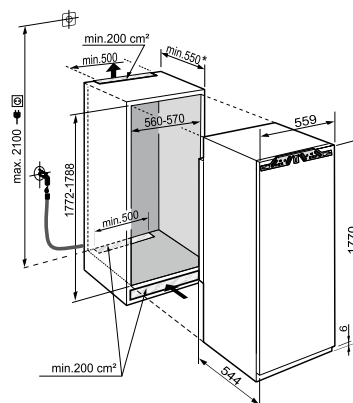
Ice Maker

Soft System

Soft Telescopic

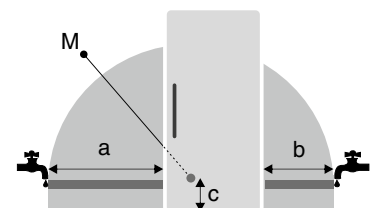
Energy consumption (kWh/yr) Star rating	331 3.0
Compressors	1
Total Usable Litres	207
Freezer Usable Litres	207
MagicEye control system Display	SoftTouch LCD
Child proof setting for display & temperature	•
Standard lighting	•
SoftSystem hinge - assists closure	•
Temp alarm Door open warning signal Malfunction warning signal	• • •
Optional extra stainless steel panel & handle	•
Freezer defrosting	Frost Free
FrostSafe system - transparent drawers	•
Freezer drawers Ice cube drawer	8 1
SuperFrost	•
VarioSpace	•
24hr freezing capacity (kg)	18
Cold storage accumulators	2
IceMaker	•
Ice cube capacity (kg/24h)	0.8
Ice cube stock maximum (kg)	1.5
Stainless steel hose supplied (m)	1.5
Door hinges	Left, reversible
Voltage (V) Rated Current (A)	220-240 1.3
Made in	Germany

Installation Diagram



* Recommended: 560 mm

Water Connection



a = 1100 mm

b = 700 mm

c = 110 mm

M = Solenoid valve

Plumbing must be installed adjacent to the side of the appliance which contains the IceMaker.

Water pressure must be between 0.15 MPa and 0.6 MPa (1.5 bar - 6 bar)

Note: Whilst every effort is made to ensure all specifications and information in this flyer are accurate, Liebherr reserves the right to make changes without notification. Where actual appliance measurements, specifications, and ratings are crucial, we recommend that the actual appliance installation instructions that accompany each appliance be checked. Liebherr will not be liable for any loss.