

The Perfect Match for Your Kitchen

Quality, Design and Innovation

SICN 3314

LIEBHERR



Door-on-door technology: Allows custom panels to be affixed directly onto the appliance door so that the hinges are concealed, plus the cabinet and the fridge open as one, ensuring a wide range of design options and easy installation.



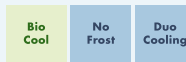
Control system: Our intuitive control panel ensures that all functions are easy and convenient to use while allowing the settings selected to remain accurate and constant.



BioCool: The humidity level inside the BioCool-Box can be regulated using a slider control so that the freshness of produce stored in the box can be preserved for longer.

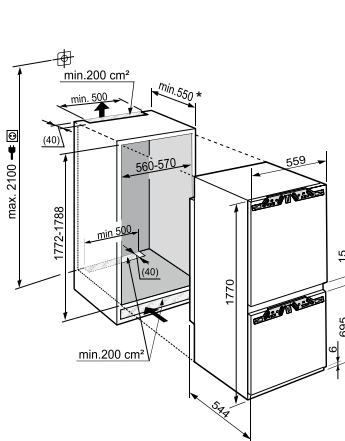
The **SICN 3314** built-in fridge-freezer blends in beautifully with any kitchen cabinetry, providing diverse design options to create your dream kitchen. Liebherr's door-on-door technology allows for custom paneling to be affixed directly onto the appliance door, ensuring that your cabinet and refrigerator doors open as one, allowing for additional design options and easy installation. This model includes a BioCool drawer which regulates humidity via a slider control to help keep fruits and vegetables fresher for longer.

SICN 3314
Comfort

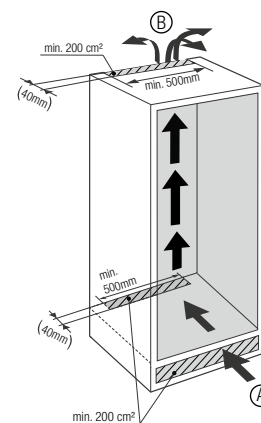


Sound rating dB(A) ¹	38
Refrigerator capacity litre	198
Freezer capacity litre	63
Fruits and vegetable bins	1 BioCool-Box
Number of shelves	5
Number of door racks	3
Number of freezer drawers	3
Electronic control	LCD display, buttons
Refrigerator temperature range °C	+1°C to +9°C
Freezer temperature range °C	-14°C to -26°C
Defrost type	Automatic
Interior light	LED
Door alarm	Audible
Door type	Door-on-door
Integrated lock	No
SoftSystem	No
Door hinges	Right, reversible
Product dimensions (H/W/D) cm	177 / 55.9 / 54.4
Cut out dimensions (H/W/D) cm	177.2 - 178.8 / 56 - 57 / min. 55
Gross / Net weight kg	68.1 / 64.3
Voltage V/Hz	220-240 / 50

Installation Diagram



Ventilation Diagram



- There must be a ventilation shaft of min. 200 cm² at the air inlet (A) and outlet vent (B).
- The depth of the ventilation shaft at the back of the cabinet must be a min. of 40mm.

¹ Noise output - according to EN 60704-3

Note: Whilst every effort is made to ensure all specifications and information in this flyer are accurate, Liebherr reserves the right to make changes without notification. Where actual appliance measurements, specifications, and ratings are crucial, we recommend that the actual appliance installation instructions that accompany each appliance be checked. Liebherr will not be liable for any loss.