

HWgb 8300

Wine Cabinets

LIEBHERR

Refrigeration and Freezing



home.liebherr.com



HWgb 8300

Energy consumption (kWh / y)	155
Sound rating dB(A)	36
Total capacity cu.ft. (l)	9.6 (271)
Max. No. of Bordeaux bottles (0.75l)	83
Number of shelves	10
Shelves on telescopic rails	8
Self material	Beech wood
Presentation shelf	Yes
Electronic control	Touch electronic
Temperature range °F (°C)	41 to 68°F (5 to 20°C)
Temperature zones	2
Temperature alarm	Yes
Interior light	LED interior lighting
Door alarm	Acoustic
Safety thermostat	Yes
Activated charcoal filter	Yes
Door type	Elegant black glass door with TipOpen Technology
Door hinges	Right, reversible
SoftSystem	Yes
Door lock	No
Product dimensions	
in inch (H / W / D)	69 11/16 / 21 15/16 / 21 13/16
in cm (H / W / D)	177 / 55.7 / 55.3
Cut out dimensions	
in inch (H / W / D)	69 13/16-70 1/8 / 22 1/16-22 1/2 / 21 11/16
in cm (H / W / D)	177.2 -178 / 56-57 / 55
Net weight lbs. (kg)	207.2 (94)
Voltage V / Hz	115/60

Accessories

FreshAir charcoal filter	7434557
Ventilation grill	7420465 9097348

Features

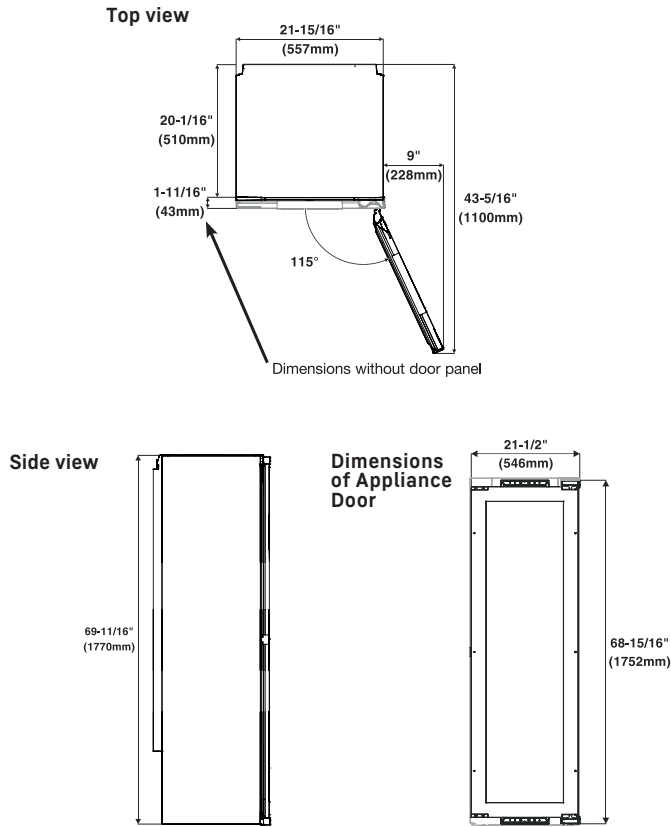
- LED** LED lighting is energy efficient, long-lasting, and maintenance-free.
- Tip Open** For integration into handleless kitchen furniture, the handleless, full-surface insulated glass door with innovative TipOpen technology is the perfect solution. The glass door opens a few centimetres when tapped. If the door is not opened further after 3 seconds, the SoftSystem closes it again.
- Soft System** SoftSystem integrated into the appliance door, cushions the door closure, thus eliminating slamming, even when the shelves are fully loaded.
- Telescopic Rails** Telescopic rails a self-closing system for drawers and shelves, ensures easy and convenient handling.
- ADA Compliant** ADA compliant, with control panel designed to be accessible within 55" from the floor.

** Noise output – according to EN 60704-3

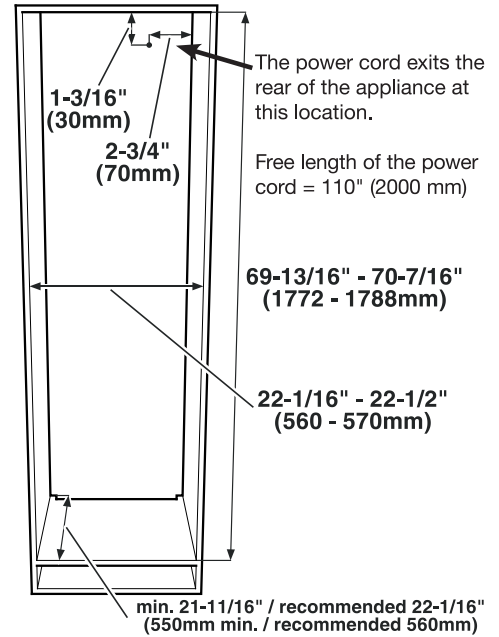
Not recommended for installation or use at altitude greater than 5000 feet above sea level.

Diagrams

Product Dimensions

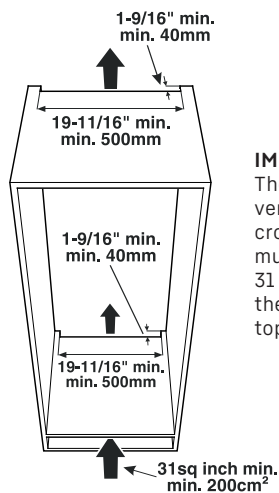


Cabinet Dimensions



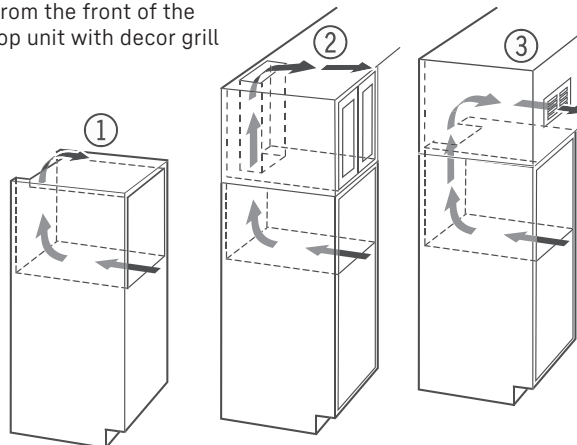
IMPORTANT: The electrical outlet must not be situated behind the appliance and must be easily accessible.

Ventilation Requirements



IMPORTANT: The clear ventilation cross section must be at least 31 sq inches from the lower to the top opening.

- ① Directly above the appliance
- ② Above the top unit
- ③ From the front of the top unit with decor grill



IMPORTANT When using decor grills, the sum of the individual openings must total a minimum of 31 square inches. A cut-out section of 31 square inches (200 cm²) for installing the ventilation grill is thus not sufficient.