

# SIGN 3576

Integrated freezer with NoFrost  
Premium



# LIEBHERR

Fully Integrated

# SIGN 3576

Integrated freezer with NoFrost  
Premium

# LIEBHERR

**G** Made  
in Germany

No  
Frost

Soft  
System

Ice  
Maker

↑  
**178**  
↓



Type	Fixed door / Built-in appliance for integrated use
Energy consump. in 365 days/24 h	kWh
Frequency / voltage	60 Hz / 220 V~
Connection Rating	1.3 A 251 W
Aperture dimensions in cm (h / w / d)	177.2-178.8 / 56-57 / min. 55
<b>Controls</b>	
Type of Control	MagicEye, touch electronic Digital temperature display
Door alarm	akustisch
Alarm in case of malfunction	optisch und akustisch
<b>Freezer compartment</b>	
Star coding	****
Interior light	LED lighting
Number of drawers	9 drawers, of which 5 set on telescopic rails, VarioSpace
IceMaker	with fixed 3/4" water connection
Ice cube capacity in 24 hours	- kg
Ice cube stock	1.5 kg
VarioSpace	yes
Cold storage accumulators	2
<b>Features</b>	
Side-by-Side concept	Side-panel heating on both sides, suitable for combination with other fridges, freezers and/or wine appliances
Door hinges	Reversible door hinge, left
EAN-Nr.	-

# Features

---



## NoFrost

Liebherr's NoFrost appliances provide expert refrigeration technology to ensure long-term freshness. The food is frozen with chilled recirculating air, and any humidity is expelled. As a result, the freezer is always free of ice, and food no longer frosts over. NoFrost convenience makes defrosting a thing of the past.



## SoftSystem closing mechanism

The SoftSystem closing damping is comfortable and highly practical in everyday use. When the door is closed, the SoftSystem integrated in the door damps the movement and ensures particularly soft closing even when the door interior is fully loaded. On built-in devices the door closes automatically from an opening angle of around 30°.



## Touch buttons

The innovative touchscreen controls with an LC display guarantee that the selected temperatures for the individual compartments are constantly maintained. The digital display accurately indicates the temperature to the nearest degree and all functions can easily be selected and adjusted using the touchscreen interface. A door and temperature alarm alerts you to any irregularities, e.g. the door is left open, and a child safety function prevents any unintentional changes to the settings.



## FrostSafe

With the FrostSafe, the extra-high and removable drawers are closed all round. This means that the cold cannot dissipate so quickly when the appliance is opened. The transparent front of the compartments guarantees an optimum overview of the frozen items.



## Height-adjustable feet

The height adjustable feet allow Liebherr appliances to be aligned, ensuring the appliance is level on most surfaces.

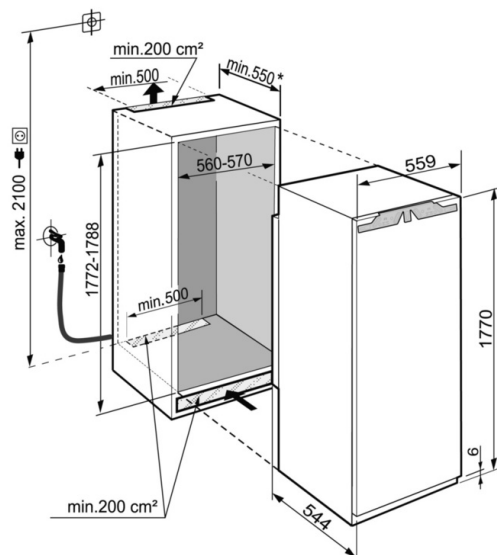


## Plumbed-in IceMaker

The plumbed-in IceMaker automatically keeps you topped up with the finest quality ice cubes so that you are prepared for every occasion. Whether you want some ice for a refreshing drink or for a big party with friends, with two generous drawers, the IceMaker will supply all the ice cubes you'll need. Furthermore, it can be switched off at any time, as required.

# Technical drawing

---



Maximum weight of furniture door:  
Freezer compartment: 26 kg

---

Products and their details are staged for advertising purposes. Whilst every effort is made to ensure all specifications and information in this flyer are accurate, Liebherr reserves the right to make changes without notification. Where actual appliance measurements, specifications, and ratings are crucial, we recommend that the actual appliance installation instructions that accompany each appliance be checked. Liebherr will not be liable for any damage. (01.03.2023)

