

EFE 1152



LIEBHERR

Impulse Sales Chest Freezer

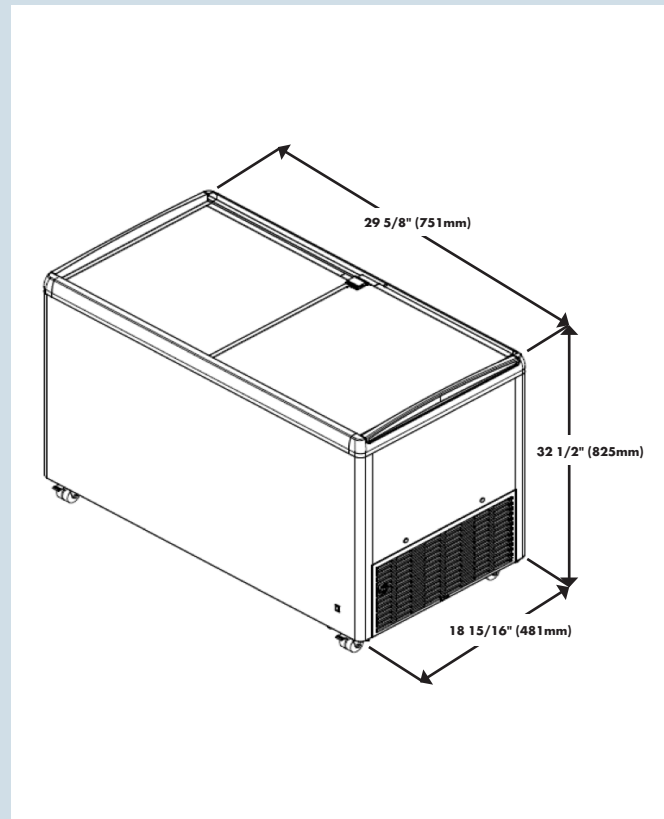


Impulse Sales Chest Freezer	
Total gross/net capacity cu.ft. (l)	3.8 / 3.0 (108 / 84)
Exterior dimensions in inches (w/d/h) in mm (w/d/h)	29 5/8" / 18 15/16" / 32 1/2" 751 / 481 / 825
Interior dimensions in inches (w/d/h) in mm (w/d/h)	23 7/8" / 12 7/16" / 25 7/8" 605 / 315 / 657
Total display area in m² (TDA) / ft²	0.16 / 1.72
Energy consumption in 365 days *	358 kWh
Ambient temperature in °F (°C)	50°F to 95°F (10°C to 35°C)
Refrigerant	R290
Sound rating **	42 dB(A)
Connection rating	2.5 A/150 W
Frequency / Voltage	60 Hz/115 – 127V~
Cooling system/Defrost	static/manual
Temperature range °F (°C)	14°F to -11°F (-10°C to -24°C)
Lid material	sliding glass lid
External cabinet finish	steel/white
Internal liner material	steel
Frame color	grey
Type of control/Temperature display	analog control/internal analogue
Interior light	LED
Number of baskets	3
Number of baskets, max (see picture)	3
Castors	swivel casters
Lock	can be retrofitted
Insulation in inches (mm)	2 3/8" (60)
Water drain	yes
Gross/net weight in lbs (kg)	94.1/86 (42.7/39)
Accessories	
Basket 270 mm	
Basket 210 mm	
Partition grid 270 mm	
Partition grid 210 mm	
Partition grid 195 mm	7111712
Basket	7112788
Rubber bumpers, grey	7266707
Cylinder lock for glass sliding lid	7043660
Scoop ice cream containers	on request
Baskets for scoop ice cream containers	on request
External thermostat dial	on request

EFE 1152	
	LED



Unit Dimensions



Subject to modification. For up-to-date information, visit home.liebherr.com.