

BLU
Performance

Legendary German Engineering

Quality, Design and Innovation



LIEBHERR



2.4" Touchscreen Display: Located behind the appliance door, this high-resolution and high-contrast 2.4" touchscreen display can be read from any angle. Stored menu options are intuitive and easy-to-operate.



BioFresh-Plus: With the adjustable temperature range of 0°C and -2°C, BioFresh-Plus technology offers even more flexibility for your produce. The BioFresh-Plus safe includes a versatile Fish & Seafood-Safe.



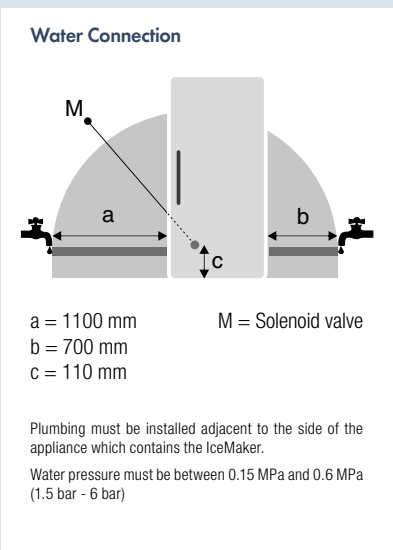
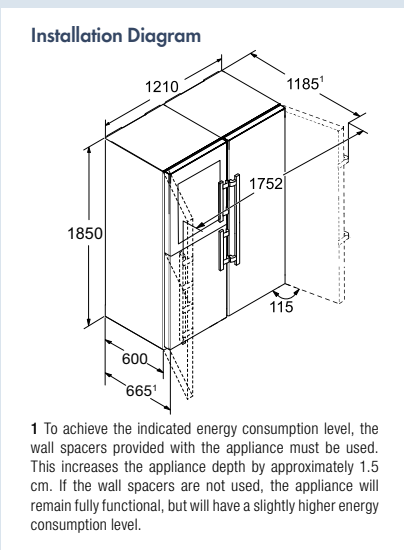
PowerCooling: A high-performance system that allows freshly stored items to be chilled rapidly while maintaining an even temperature throughout the interior. In this energy-efficient BluPerformance range, the fan switches off when the appliance door is opened, saving valuable energy.

Introducing Liebherr's award-winning Side-by-Side model from the BluPerformance range – the **SBSes 8486**. This eye-catching unit boasts an array of innovative solutions with six different climate zones, but its multi-temperature wine compartment is what makes it most unique! Enjoy added flexibility with BioFresh-Plus safe which offers an adjustable temperature range of 0°C and -2°C. Comes with a versatile Fish & Seafood-Safe.

SBSes 8486
PremiumPlus

Bio Fresh-Plus	No Frost	Ice Maker	Wine	Soft System	Soft Telescopic	Smart Steel
----------------	----------	-----------	------	-------------	-----------------	-------------

Energy consumption (kWh/y)	405
Refrigerator capacity litre	519
BioFresh comp. litre	132
Wine capacity litre	153
Freezer capacity litre	126
Max No. of Bordeaux bottles (0.75l) *	48
Number of shelves	6
Number of door racks	5
Number of freezer drawers	5 with LED
Number of BioFresh drawers	3 with LED
Electronic control	2.4" TFT-colour temp. display, touch electronic
Door / side walls	Stainless steel with SmartSteel / Stainless steel with SmartSteel
Refrigerator temperature range °C	+2°C to +9°C
Freezer temperature range °C	-14°C to -26°C
Wine temperature range °C	+5°C to +20°C
Temperature alarm	Visual and audible
Defrost type	Automatic
Interior light	LED ceiling lighting with dimmer function
Door alarm	Visual and audible
IceMaker	Fixed water connection 20mm (3/4")
Ice cube output kg/24h	1.2
SoftSystem	Yes
Door hinges	Left, right
Product dimensions (H/W/D) cm	185 / 121 / 66.5
Gross / Net weight kg	199 / 178.7
Voltage V/Hz	220-240 / 50 / 60



* These models are only bound for storing wine. Max. DIN norm bordeaux bottle capacity (0.75 l) as per norm NF H 35-124 (H:300.5 mm, Ø 76.1mm)