

The Perfect Match For Your Kitchen

Quality, Design and Innovation



LIEBHERR



Door-on-door technology: Allows custom panels to be affixed directly onto the appliance door so that the hinges are concealed, plus the cabinet and the fridge open as one, ensuring a wide range of design options and easy installation.



Touch control system: Our intuitive electronic touch control panel (found on most models) ensures all functions are easy and convenient to use as well as guarantees that the settings selected remain accurate and constant.



BioCool: The humidity level inside the BioCool-Box can be regulated using a slider control so that the freshness of produce stored in the box can be preserved for longer.

The **SICN 3314 built-in** fridge-freezer blends in beautifully with any kitchen cabinetry, providing diverse design options to create your dream kitchen. Liebherr's door-on-door technology allows for custom paneling to be affixed directly onto the appliance door, ensuring that your cabinet and refrigerator doors open as one, allowing for additional design options and easy installation.

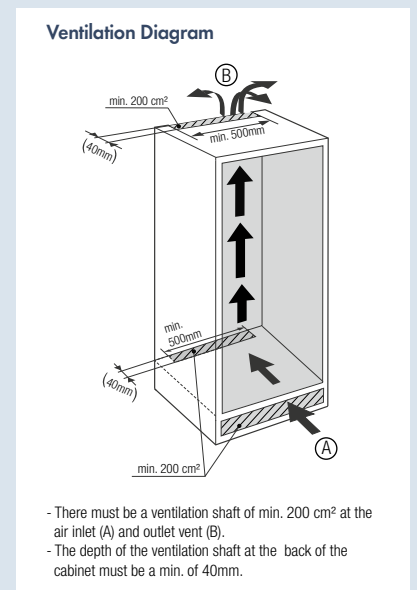
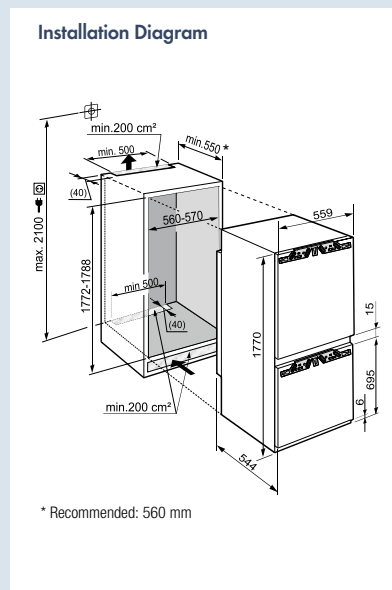
The **SICN 3314** includes a BioCool drawer which regulates humidity via a slider control to help keep fruits and vegetables fresher for longer.

SICN 3314

Comfort



Energy consumption (kWh/y)	300
Sound rating dB(A) ¹	38
Refrigerator capacity litre	198
Freezer capacity litre	63
Fruits and vegetable bins	1 BioCool-Box
Number of shelves	5
Number of door racks	3
Number of freezer drawers	3
Electronic control	LCD display, key electronic
Refrigerator temperature range °C	+1°C to +9°C
Freezer temperature range °C	-14°C to -26°C
Defrost type	Automatic
Interior light	LED
Door alarm	Audible
Door type	Door-on-door
Integrated lock	No
SoftSystem	No
Door hinges	Right, reversible
Product dimensions (H/W/D) cm	177 / 55.9 / 54.4
Cut out dimensions (H/W/D) cm	177.2 - 178.8 / 56 - 57 / min. 55
Gross / Net weight kg	68.1 / 64.3
Voltage V/Hz	220-240 / 50



¹ Noise output - according to EN 60704-3