



Maximum Flexibility
With Modular Solutions

Quality, Design and Innovation

LIEBHERR



Door-on-door technology: Allows custom panels to be affixed directly onto the appliance door so that the hinges are concealed, plus the cabinet and the fridge open as one, ensuring a wide range of design options and easy installation.



IceMaker: Liebherr's automatic IceMaker produces flawless crescent ice and keeps constant supply on hand for every occasion. An activated charcoal filter ensures pure water for production of clear ice crescents.



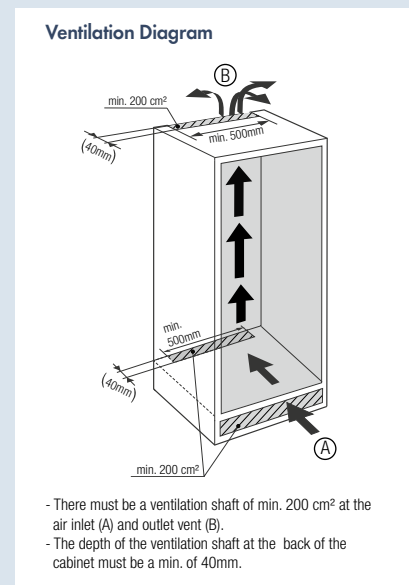
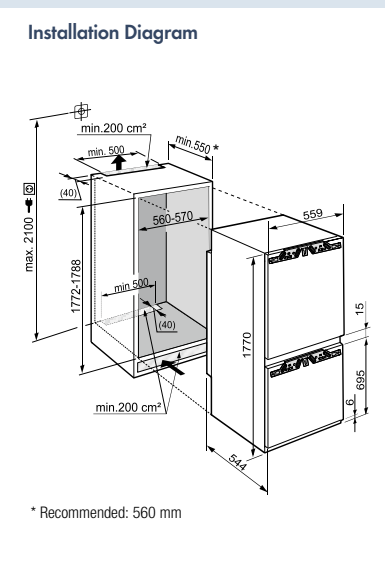
BioCool: The humidity level inside the BioCool-Box can be regulated using a slider control so that the freshness of produce stored in the box can be preserved for longer.

Liebherr's **SICN 3366** fully integrated fridge-freezer provides diverse design options for a perfect and seamless kitchen with the help of our door-on-door technology. A BioCool drawer regulates humidity via a slider control to keep your fruits and vegetables fresher for longer. And there is no need for a plumbed water connection as this model includes a convenient 1.2 litres internal water tank for the IceMaker. Simply fill the tank with filtered water to produce crystal clear ice cubes!

SICN 3366
Premium

- Bio Cool
- No Frost
- Duo Cooling
- Ice Maker
- Soft System

| | |
|-----------------------------------|-----------------------------------|
| Energy consumption (kWh/y) | 336 |
| Sound rating dB(A) ¹ | 38 |
| Refrigerator capacity litre | 196 |
| Freezer capacity litre | 59 |
| Number of shelves | 5 |
| Number of door racks | 3 |
| Number of freezer drawers | 4 |
| Electronic control | LCD display, touch electronic |
| Door / side walls | Steel |
| Refrigerator temperature range °C | +1°C to +9°C |
| Freezer temperature range °C | -15°C to -26°C |
| Temperature alarm | Visual and audible |
| Defrost type | Automatic |
| Interior light | LED |
| Door alarm | Audible |
| IceMaker | Water tank |
| Ice cube output kg/24h | 0.8 |
| SoftSystem | Yes |
| Door hinges | Left, reversible |
| Product dimensions (H/W/D) cm | 177 / 55.9 / 54.4 |
| Cut out dimensions (H/W/D) cm | 177.2 - 178.8 / 56 - 57 / min. 55 |
| Gross / Net weight kg | 81.7 / 73.6 |
| Voltage V/Hz | 220-240 / 50 |



¹ Noise output - according to EN 60704-3