

HWS 1800

Wine Cabinet



LIEBHERR

Quality, Design and Innovation

The **HWS 1800** fully integrated wine cabinet holds up to 18 Bordeaux bottles in an ideal storage environment. The innovative styling allows the cabinet to sit flush with cabinetry, while its recessed handle allows for simple lines that incorporates beautifully into your custom kitchen design. The HWS 1800 can fit anywhere in your home, allowing for your finest wine collections to be displayed at eye level.

The temperature of the cabinet can be set between 41°F and 68°F, making the **HWS 1800** suitable for storing reds, whites, and champagne. The insulated glass door with UV protection, alongside the activated charcoal filter, protect the wines from busy kitchen influences such as light and odor. The energy efficient LED ceiling light not only emits virtually no heat, but it is dimmable to cast a cool glow across the room. A trim kit with stainless steel panels for 30" wide cabinet installations is available as an accessory.



Wine Cabinet

Energy consumption (kWh/y)
Estimated Yearly Energy Cost in US \$*
Sound rating dB(A)**
Total capacity cu.ft. (l)
Max. No. of Bordeaux bottles (0.75 l)
Number of shelves
Shelves on telescopic rails
Shelf material
Electronic control
Temperature range °F (°C)
Temperature zones
Interior light
Door alarm
Activated Charcoal filter
Door type
Door hinges
Product dimensions (H/W/D) in. (cm)
Cut out dimensions (H/W/D) in. (cm)
Net weight lbs. (kg)
Voltage V/Hz

HWS 1800 GrandCru LED Wine Telescopic Rails ADA Compliant

296
–
36
1.7 (47)
18
3
2
Beech wood shelves
LCD temp. display, touch electronic
+41°F to +68°F (+5°C to +20°C)
1
LED lighting permanently on, dimmable
acoustic
yes
Glass door with stainless steel frame
right, reversible
17 3/8" / 21 15/16" / 20 9/16" (44.1/55.7/52.2)
17 3/4" / 22 1/16" / 21 11/16" (45/56/55)
66.1 (30.0)
115/60

* Estimated energy cost will depend on utility rates and use. Estimated energy cost based on a national average electricity cost of 12 cents per kWh.
 ** Noise output – according to EN 60704-3.



German Engineering: Our superior products offer premium quality, cutting edge design, and innovative features that best fit your lifestyle. The use of high quality materials, perfectly detailed finishes, and elite cooling components are combined with the latest production processes, resulting in an outstanding cooling product.



Electronic Control

Touch Control: The electronic touch system allows temperatures to be set to the exact desired degree, from 41°F to 68°F. Temperatures are clearly displayed on the LCD display for accurate readings of your desired settings.



LED

LED Ceiling Light: The energy efficient LED ceiling light not only emits virtually no heat for the optimal storage of wines, but is dimmable for a pleasant ambient light within the cabinet, as well as a cool glow for the room.



Beech Wood Shelving: Liebherr wine cabinets are fitted with beech wood shelving, mounted on telescopic rails for easy and gentle access to wines. The handmade, untreated wood pullout shelves can hold a variety of bottle types.



Activated Charcoal Filter: Optimum air quality is guaranteed in Liebherr wine cabinets thanks to the easy-to-replace FreshAir activated charcoal filter, which purifies incoming air, while filtering out damaging odors.



UV Protection: In order to minimize the exposure of light which can damage the maturity of a wine, Liebherr wine cabinets are fitted with special UV-resistant insulated glass, simultaneously protecting and presenting your finest wines.

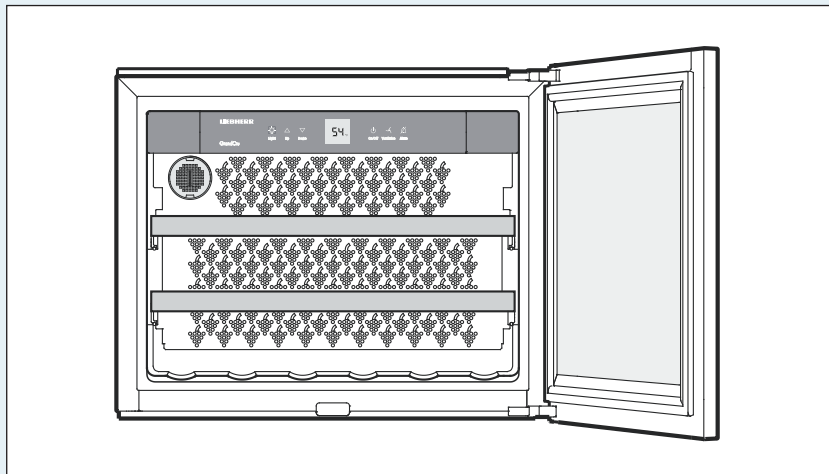


Alarm: Liebherr wine cabinets are equipped with a trustworthy alarm system which alerts the owner if the door has been left open, or if there are temperature changes.



Compressors: Specially developed, exceptionally low-vibration compressors prevent tannins from settling, allowing wines to mature properly.

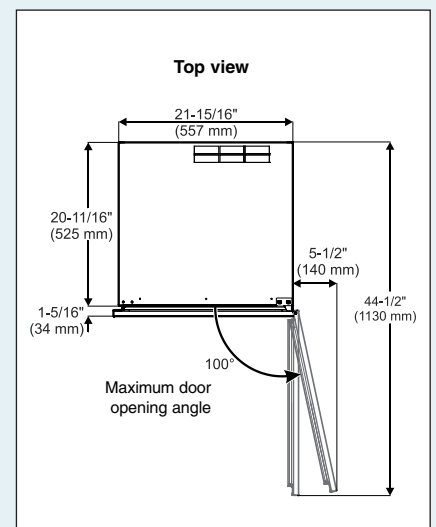
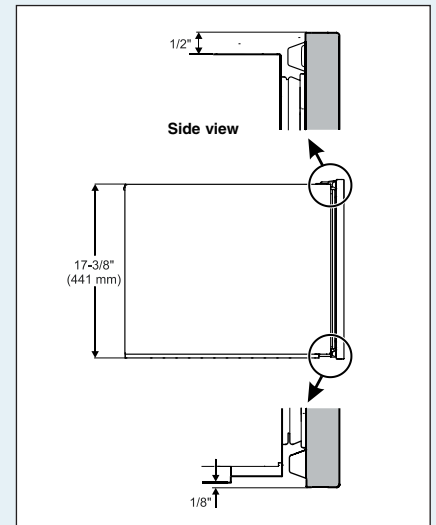
Fully Integrated Wine Unit



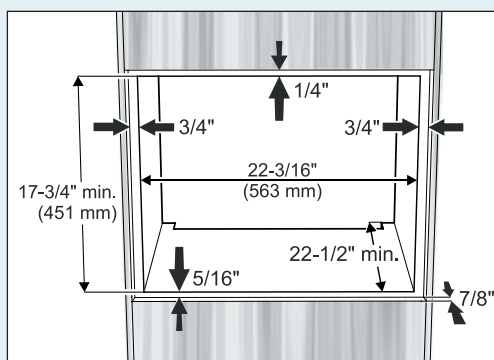
Energy Supply	115V / 60Hz / 1A
Climate Rating	SN
Door hinges	right/reversible
Door	glass door with stainless steel frame

- Touch electronic control system
- Telescopic wine shelves
- Activated charcoal filter
- LED-light

Appliance Dimensions

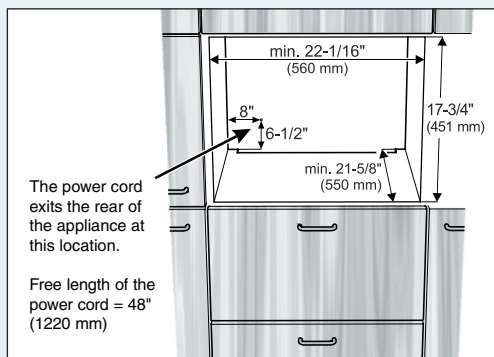


Cabinet Dimensions - Flush Face Installation



Cabinet dimensions for installations into a cabinet wall. Front of appliance door is flush with the cabinet front surface. Front opening results in a 3/16 inch gap between appliance door and outer recess.

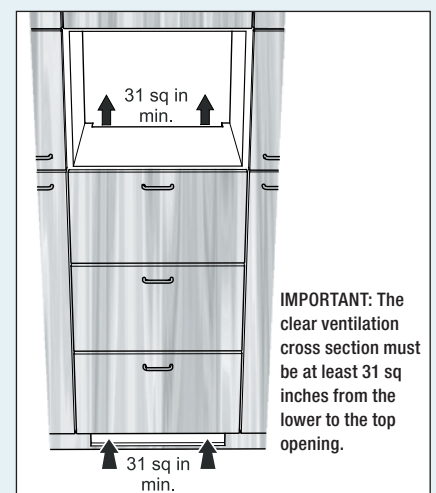
IMPORTANT: The appliance must be centered in the recess to avoid collision of the right door edge with the cabinet when the door is opened.



The power cord exits the rear of the appliance at this location.
Free length of the power cord = 48" (1220 mm)

IMPORTANT: The electrical outlet must not be situated behind the appliance and must be easily accessible.

Appliance Venting



IMPORTANT: The clear ventilation cross section must be at least 31 sq inches from the lower to the top opening.