

The Perfect Climate For Your Cigars

Quality, Design and Innovation



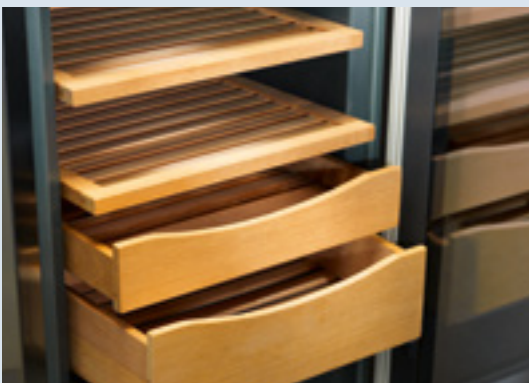
LIEBHERR



Ideal humidity: The integrated water tray can accommodate one litre of distilled water to achieve your desired humidity. Sensors regulate the humidity level selected while the LCD display indicates when water needs to be replenished.



LED lighting: The ZKes 453 humidifier has LED lighting with dimmer function incorporated in the glass door. As the LEDs emit virtually no heat, cigars can be exposed to the light for long periods of time without damage.



Fine cedar wood: The wooden shelves and boxes are crafted from Spanish cedar wood to ensure an even climate while maturing cigars. Its aroma also enhances the unique flavour of exclusive cigars.

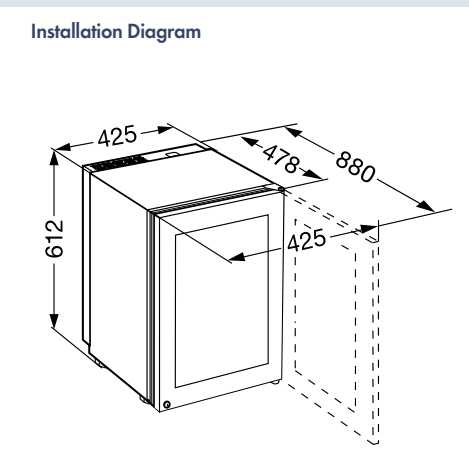
Liebherr's approach to refrigeration and freezing is to provide the best storage conditions for your food and the ZKes 453 humidifier is no exception. Its innovative LCD display allows precise control to establish the proper balance of temperature and humidity so important to the optimal storage for fine cigars.

Temperature in the humidifier can be set between +16 °C to +20 °C while the humidity can range from 68% to 75% according to your preference. With the option to wall mount or position on furniture, the ZKes 453 provides a focal point in any environment. The most coveted cigars in your collection will always be in sight and ready for your enjoyment.

ZKes 453
Humidor

LED Cigar Smart Steel

Energy consumption (kWh/y)	162
Sound rating dB(A) *	40
Total capacity litre	39
Number of shelves	2
Shelves on telescopic rails	0
Shelf material	Spanish cedar wood
Presentation box	2
Electronic control	LCD display
Temperature range °C	+16°C to +20°C
Temperature zones	1
Temperature alarm	Visual and audible
Interior light	LED
Door alarm	Audible
Safety thermostat	No
Activated charcoal filter	Yes
Door type	Glazed door with stainless steel frame
Integrated lock	Yes
SoftSystem	No
Door hinges	Right
Product dimensions (H/W/D) cm	61.2 / 42.5 / 47.8
Gross / Net weight kg	34 / 30
Voltage V/Hz	220-240 / 50



Activated Charcoal Filter
Part no.: 988128700

* Noise output - according to EN 60704-3