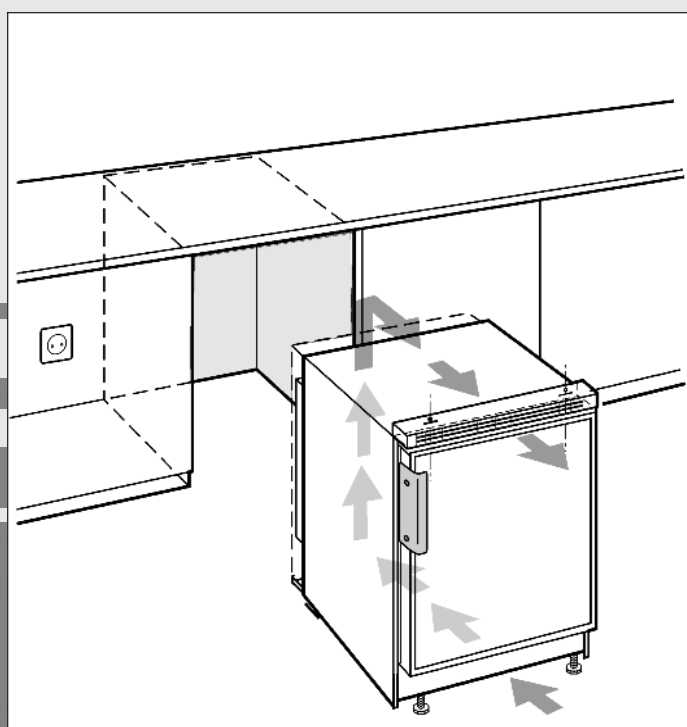


Installation Guide

decor fridges and freezers

EN



20210531 **7084190 - 03**

UK/ UG

LIEBHERR

General safety information

Contents

1	General safety information.....	2
2	Transporting the appliance.....	2
3	Installing the appliance.....	2
4	Changing over door hinges.....	3
5	Decor panel assembly.....	4
6	Under-worktop.....	4
7	Disposing of packaging.....	5
8	Connecting the appliance.....	5

The manufacturer works constantly on the further development of all the types and models. Therefore please understand that we have to reserve the right to make design, equipment and technical modifications.




To get to know all the benefits of your new appliance, please read the information contained in these instructions carefully.

The instructions apply to several models. Differences may occur. Text relating only to specific appliances is marked with an asterisk (*).

Instructions for action are marked with a **!**, the results of action are marked with a **a**.

1 General safety information

- Only install, connect and dispose of the appliance according to the instructions.
- The socket must be easily accessible so that the appliance can be quickly disconnected from the supply in an emergency. It must be outside the area of the rear of the appliance.

	DANGER	identifies a situation involving direct danger which, if not obviated, may result in death or severe bodily injury.
	WARNING	identifies a dangerous situation which, if not obviated, may result in death or severe bodily injury.
	CAUTION	identifies a dangerous situation which, if not obviated, may result in minor or medium bodily injury.
	NOTICE	identifies a dangerous situation which, if not obviated, may result in damage to property.
	Note	identifies useful information and tips.

2 Transporting the appliance

- ▶ Transport the appliance only in suitable packaging.
- ▶ Transport the appliance upright.
- ▶ Do not transport the appliance on your own.

3 Installing the appliance



WARNING

Risk of fire due to short circuit!

If the mains cable/connector of the appliance or of another appliance touch the rear of the appliance, the mains cable/connector may be damaged by the appliance vibrations, leading to a short circuit.

- ▶ Stand the appliance so that it is not touched by connectors or main cables.
- ▶ Do not plug the appliance or any others into sockets located near the rear of the appliance.



WARNING

Fire hazard due to dampness!

If live parts or the mains lead become damp this may cause short circuits.

- ▶ The appliance is designed for use in enclosed areas. Do not operate the appliance outdoors or in areas where it is exposed to splash water or damp conditions.
- ▶ Only use the appliance when it is installed.



WARNING

Fire hazard due to refrigerant!

The coolant used is eco-friendly but also flammable. Any leaking coolant may ignite.

- ▶ Do not damage the piping of the refrigeration circuit.



WARNING

Fire hazard and danger of damage!

Do not place appliances emitting heat e.g. microwaves, toasters etc. on the appliance!



WARNING

Blocked ventilation openings pose a risk of fire and damage!

- ▶ Always keep the ventilation openings clear. Always ensure that the appliance is properly ventilated!

If your appliance is not a side-by-side (SBS) appliance:*

NOTICE

Risk of damage due to condensate!*

- ▶ Do not install the appliance directly alongside a further refrigerator/freezer.

- Before you connect the appliance, report any damage immediately to the delivery company.
- The floor of the installation site must be horizontal and even.
- Do not install the appliance in direct sunlight, next to an oven, radiator or similar.
- The appliance is suitable for use as an integrated base unit, ventilated at the feet.
- Do not install the appliance on your own.
- The more coolant there is in the appliance, the larger the room in which the appliance is installed must be. If the room is too small, any leak may create a flammable mixture of gas and air. For each 8 g of coolant the installation space must be at least 1 m³. Information on the coolant is on the model plate inside the appliance.
- ▶ Detach the connecting cable from the rear of the appliance, removing the cable holder at the same time because otherwise there will be vibratory noise!

After installation:

Changing over door hinges

- ▶ Remove the protective film from the decorative trims.*
- ▶ Remove all transit supports.
- ▶ Dispose of packaging material (see 7 Disposing of packaging) .
For Side-by-Side installation, freezer and refrigerator side by side:*
- ▶ Always install the freezer on the right of the refrigerator, as seen from the front.*
- ▷ No condensate forms between the appliances thanks to the side wall heating system foamed in on the left.*

Note

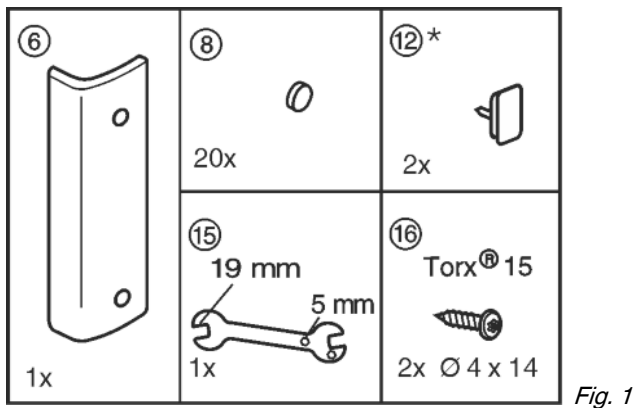
- ▶ Clean the appliance .

If the appliance is installed in a very damp environment, condensate may form on the outside of the appliance.

- ▶ Always see to good ventilation at the installation site.

4 Changing over door hinges

All the assembly components accompany the appliance.

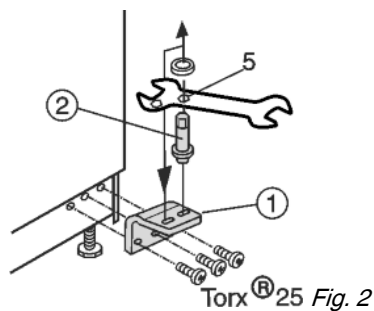


Ensure that the following tools are to hand:

- Cordless screwdriver Torx® 10, 15, 25
- Spanner 19
- Screwdriver

The appliance is supplied with the hinges on the right-hand side - door handle on the left-hand side of the door. The door hinges can be changed over if necessary.

- ▶ Close the door and unscrew the turn hinge Fig. 2 (1).



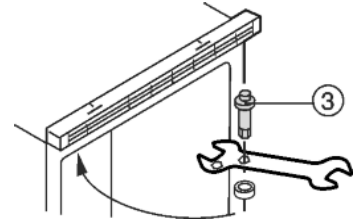
CAUTION

Risk of injury if the door tips!

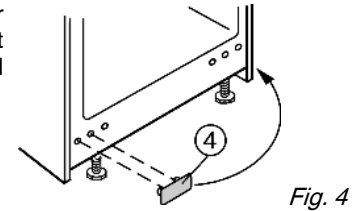
- ▶ Take good hold of the door.
- ▶ Set down the door carefully.

- ▶ Lower the door for removal.
- ▶ Transfer the hinge pin Fig. 2 (2) and tighten firmly (with 4 Nm).

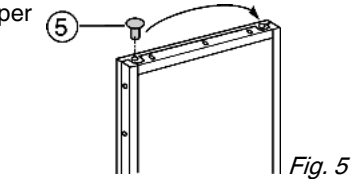
- ▶ Unscrew the top hinge pin Fig. 3 (3) and firmly screw it in on the opposite side (with 4 Nm).



- ▶ Remove the cover Fig. 4 (4) and use it to close the vacated fastening holes.

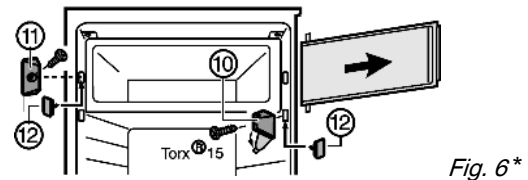


- ▶ Transfer the stopper Fig. 5 (5).

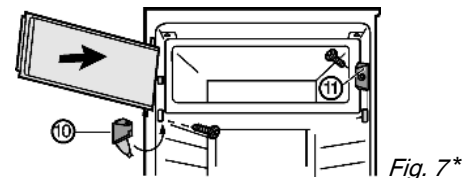


For appliances with freezer compartment:

- ▶ Now transfer the hinge of the compartment door:



- ▶ Fold away the cover of the turn hinge Fig. 6 (10).*
- ▶ Unscrew turn hinge Fig. 6 (10) together with compartment door.*
- ▶ Unscrew closing element Fig. 6 (11).*
- ▶ Close the vacated holes using the accompanying cover Fig. 6 (12).*

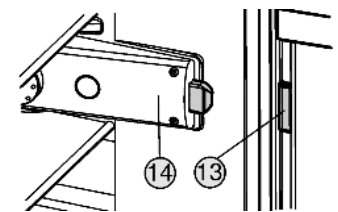


- ▶ Fit the closing element Fig. 7 (11).*
- ▶ Fit the compartment door at the top.*
- ▶ Fit the turn hinge Fig. 7 (10) and fold the cover.*

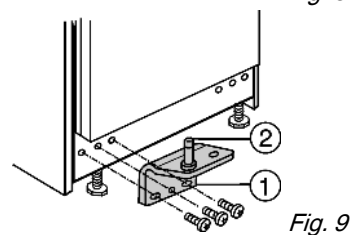
All appliances: Re-fit the door.

The cam Fig. 8 (13) has to be situated on the side of the light housing Fig. 8 (14).

- ▶ Attach the door to the upper hinge pin Fig. 3 (3) and close it.



- ▶ Place the hinge pin Fig. 9 (2), which is in the bearing bracket Fig. 9 (1) with the washer, inside the lower door bearing.



- ▶ Screw the turn hinge Fig. 9 (1) firmly into place (with 4 Nm).

Decor panel assembly

Note

- ▶ If necessary, e.g. to align the door, the second slot hole can be used for the screw fastening, instead of the circular hole.



WARNING

Risk of injury due to the door dropping out!

If the bearing parts are not screwed into place firmly enough, the door may drop out. This may lead to severe injuries. What is more, the door may not close and therefore the appliance may fail to cool properly.

- ▶ Screw the turn hinge and bearing pins firmly into place (with 4 Nm).
- ▶ Check all of the screws and retighten if necessary.

5 Decor panel assembly

Using a decor frame and decor panel allows the appliances to be matched in colour to or contrasted from the kitchen units.

The following table shows the panel dimensions for your appliance:

Recess width	Decor panel dimensions (mm)		
	Width	Height	Max. thickness
600	585	678	4
500	485	678	4

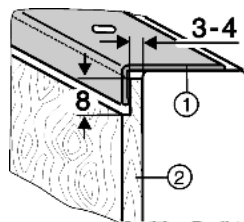


Fig. 10

- ▶ For thicker decor panels Fig. 10 (2), reduce their thickness to max. 4 mm, as illustrated.

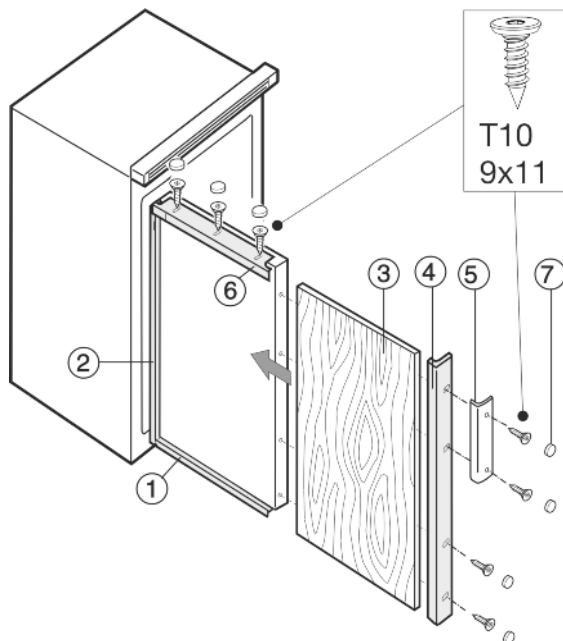


Fig. 11

- ▶ Mount the decor frame and the decor panel as follows. Do not tighten the screws until the end.
- ▶ Screw on decor frame (1) loosely at the bottom and slide forwards.
- ▶ Loosely screw side part on the hinge side (2) of the decor frame at the bottom and push forward.

- ▶ Slide in decor panel (3).
- ▶ Screw on the decor frame side part on handle side (4) together with the handle.
- ▶ Slide back parts of the decor frame and screw firmly into place.
- ▶ Finally fit decor frame top part (6) and screw on tight.
- ▶ Snap cover caps (7) onto all screw heads.

6 Under-worktop

Ensure that the following tools are to hand:

- Spanner 19
- Cordless screwdriver Torx® 15
- The socket outlet Fig. 12 (1) must be adjacent to the appliance and readily accessible.
- Check the recess dimensions:

Recess dimensions		Appliance dimensions (mm)		
Width	Min. depth	Width	Depth	Door width
A	B	C	D	E
500	min. 570, recommended: 580	497	569	495
600	min. 570, recommended: 580	597	569	595

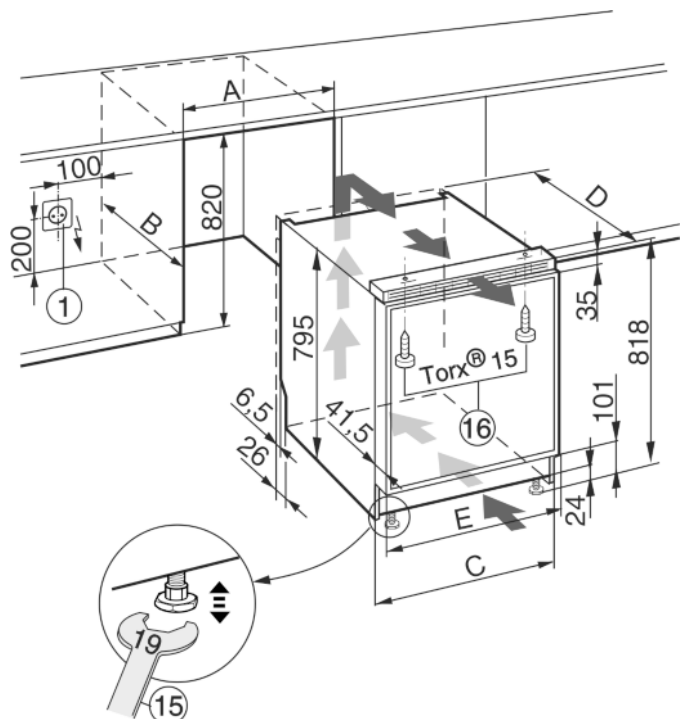


Fig. 12

- ▶ Detach the connecting cable from the rear of the appliance, removing the cable holder at the same time because otherwise there will be vibratory noise!
- ▶ Lay the connecting cable with the help of a string in such a way that the appliance can be easily connected after fitting.

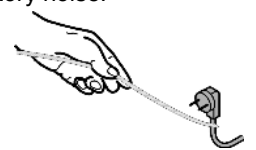


Fig. 13

- ▶ Slide the appliance into the recess.

- ▶ Align the appliance to the kitchen units, align the front of the appliance so that it is flush with the kitchen units at the sides.
- ▶ Align the appliance by applying the accompanying open-ended spanner *Fig. 12 (15)* to the height-adjustable feet.

Note

- ▶ Pay attention that air intake at the bottom is not obstructed. Under no circumstances should you fit any covers or close the air gap! This is essential for ventilation and proper operation of the appliance.
- ▶ Fasten the top of the appliance to the worktop or to the furniture unit using the accompanying screws *Fig. 12 (16)*.

7 Disposing of packaging



WARNING

Danger of suffocation due to packing material and plastic film!

- ▶ Do not allow children to play with packing material.

The packaging is made of recyclable materials:

- corrugated board/cardboard
- expanded polystyrene parts
- polythene bags and sheets
- polypropylene straps
- nailed wooden frame with polyethylene panel*



- ▶ Take the packaging material to an official collecting point.

8 Connecting the appliance

NOTICE

Failure to connect properly

Damage to the electronics.

- ▶ Do not use a standalone inverter.
- ▶ Do not use an energy saving plug.



WARNING

Failure to connect properly

Fire hazard.

- ▶ Do not use an extension cable.
- ▶ Do not use distributor blocks.

The type of current (alternating current) and voltage at the installation site have to conform with the data on the type plate .

The socket must be properly earthed and fused. The tripping current for the fuse must be between 10 A and 16 A.

The socket must be easily accessible so that the appliance can be quickly disconnected from the supply in an emergency. It must be outside the area of the rear of the appliance.

- ▶ Check the electrical connection.
- ▶ Plug in the power plug.





Liebherr-Hausgeräte Ochsenhausen GmbH

Memminger Straße 77-79

88416 Ochsenhausen

Deutschland

home.liebherr.com